

# SN54LS846 THRU SN54LS649 SN74LS646 THRU SN74LS649 OCTAL BUS TRANSCEIVERS AND REGISTERS

SDLS190A - DECEMBER 1982 - REVISED MAY 2004

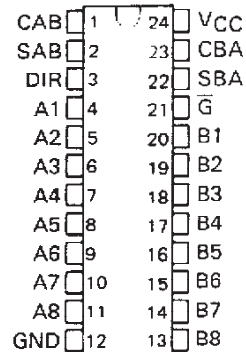
- Independent Registers for A and B Buses
- Multiplexed Real-Time and Stored Data
- Choice of True or Inverting Data Paths
- Choice of 3-State or Open-Collector Outputs
- Included Among the Package Options Are Compact 24-pin 300-mil-Wide Plastic and Ceramic DIPs, Ceramic Chip Carriers, and Plastic "Small Outline" Packages
- Dependable Texas Instruments Quality and Reliability

DEVICE	OUTPUT	LOGIC
'LS646	3-State	True
'LS647	Open-Collector	True
'LS648	3-State	Inverting
'LS649	Open-Collector	Inverting

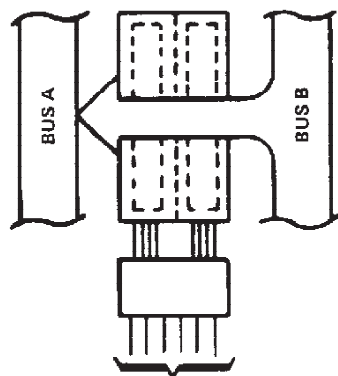
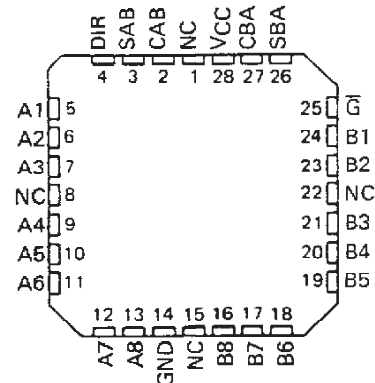
## description

These devices consist of bus transceiver circuits with 3-state or open-collector outputs, D-type flip-flops, and control circuitry arranged for multiplexed transmission of data directly from the input bus or from the internal registers. Data on the A or B bus will be clocked into the registers on the low-to-high transition of the appropriate clock pin (CAB or CBA). The following examples demonstrate the four fundamental bus-management functions that can be performed with the octal bus transceivers and registers.

SN54LS' . . . JT PACKAGE  
SN74LS' . . . DW OR NT PACKAGE  
(TOP VIEW)

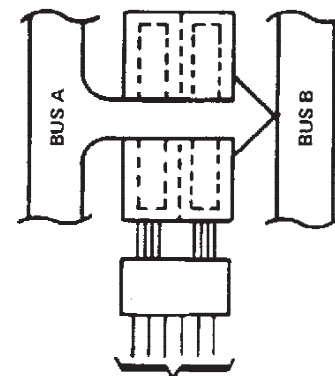


SN54LS' . . . FK PACKAGE  
(TOP VIEW)



(21)	(3)	(1)	(23)	(2)	(22)
G-bar	DIR	CAB	CBA	SAB	SBA
L	L	X	X	X	L

REAL-TIME TRANSFER  
BUS B TO BUS A



(21)	(3)	(1)	(23)	(2)	(22)
G-bar	DIR	CAB	CBA	SAB	SBA
L	H	X	X	L	X

REAL-TIME TRANSFER  
BUS A TO BUS B



Please be aware that an important notice concerning availability, standard warranty, and use in critical applications of Texas Instruments semiconductor products and disclaimers thereto appears at the end of this data sheet.

PRODUCTION DATA information is current as of publication date. Products conform to specifications per the terms of Texas Instruments standard warranty. Production processing does not necessarily include testing of all parameters.

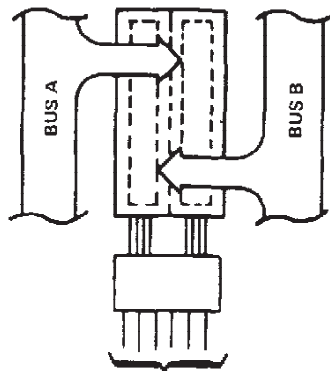
**TEXAS  
INSTRUMENTS**

POST OFFICE BOX 655303 • DALLAS, TEXAS 75265

Copyright © 2004, Texas Instruments Incorporated

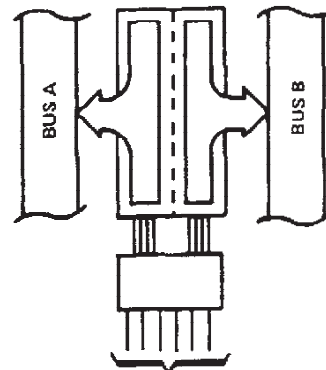
# SN54LS646 THRU SN54LS649, SN74LS646 THRU SN74LS649 OCTAL BUS TRANSCEIVERS AND REGISTERS

SDLS190A – DECEMBER 1982 – REVISED MAY 2004



(21) $\bar{G}$	(3) DIR	(1) CAB	(23) CBA	(2) SAB	(22) SBA
X	X	↑	X	X	X
X	X	X	↑	X	X
H	X	↑	↑	X	X

STORAGE FROM  
A, B, OR A AND B



(21) $\bar{G}$	(3) DIR	(1) CAB	(23) CBA	(2) SAB	(22) SBA
L	L	X	Hor L	X	H
L	H	Hor L	X	H	X

TRANSFER  
STORED DATA  
TO A OR B

Enable ( $\bar{G}$ ) and direction (DIR) pins are provided to control the transceiver functions. In the transceiver mode, data present at the high-impedance port may be stored in either register or in both. The select controls (SAB and SBA) can multiplex stored and real-time (transparent mode) data. The direction control determines which bus will receive data when enable  $\bar{G}$  is active (low). In the isolation mode (control  $\bar{G}$  high), A data may be stored in one register and/or B data may be stored in the other register.

When an output function is disabled, the input function is still enabled and may be used to store and transmit data. Only one of the two buses, A or B, may be driven at a time.

The SN54' family is characterized for operation over the full military temperature range of  $-55^{\circ}\text{C}$  to  $125^{\circ}\text{C}$ . The SN74' family is characterized for operation from  $0^{\circ}$  to  $70^{\circ}\text{C}$ .

FUNCTION TABLE

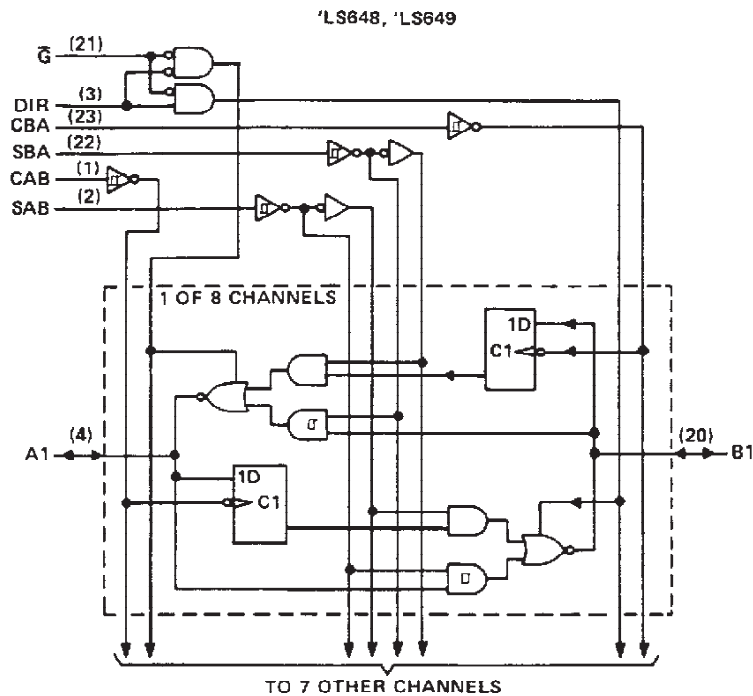
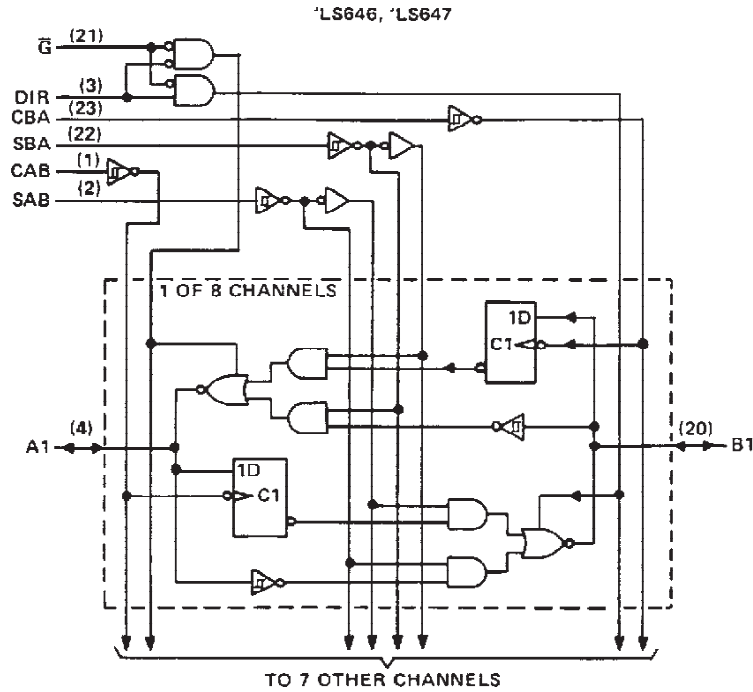
INPUTS						DATA I/O†		OPERATION OR FUNCTION	
$\bar{G}$	DIR	CAB	CBA	SAB	SBA	A1 THRU A8	B1 THRU B8	LS646, LS647	LS648, LS649
X	X	↑	X	X	X	Input	Not specified	Store A, B unspecified	Store A, B unspecified
X	X	X	↑	X	X	Not specified	Input	Store B, A unspecified	Store B, A unspecified
H	X	↑	↑	X	X	Input	Input	Store A and B Data	Store A and B Data
H	X	H or L	H or L	X	X	Input	Input	Isolation, hold storage	Isolation, hold storage
L	L	X	X	X	L	Output	Input	Real-Time B Data to A Bus	Real-Time $\bar{B}$ Data to A Bus
L	L	X	Hor L	X	H	Output	Input	Stored B Data to A Bus	Stored $\bar{B}$ Data to A Bus
L	H	X	X	L	X	Input	Output	Real-Time A Data to B Bus	Real-Time $\bar{A}$ Data to B Bus
L	H	H or L	X	H	X	Input	Output	Stored A Data to B Bus	Stored $\bar{A}$ Data to B Bus

† The data output functions may be enabled or disabled by various signals at the  $\bar{G}$  and DIR inputs. Data input functions are always enabled, i.e., data at the bus pins will be stored on every low-to-high transition on the clock inputs.

# SN54LS646 THRU SN54LS649, SN74LS646 THRU SN74LS649 OCTAL BUS TRANSCEIVERS AND REGISTERS

SDLS190A - DECEMBER 1982 - REVISED MAY 2004

logic diagrams (positive logic)



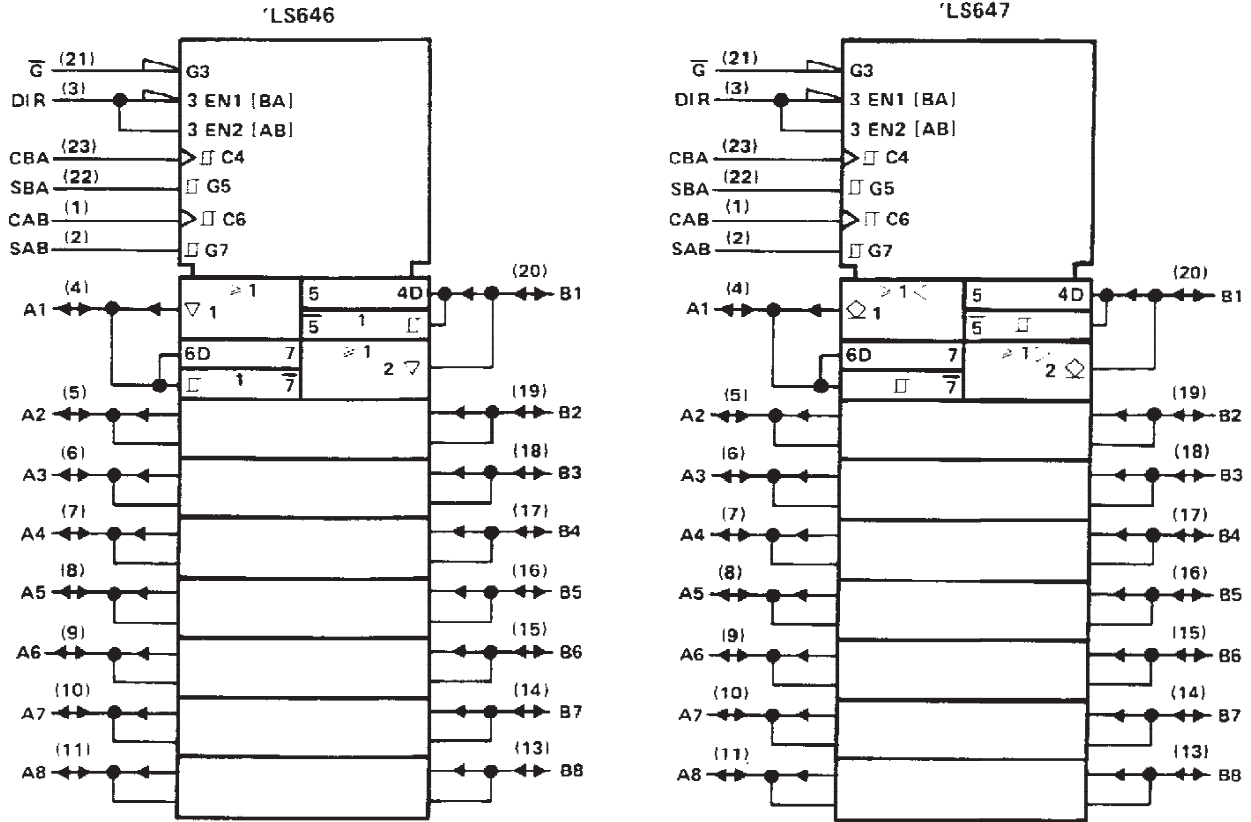
Pin numbers shown are for DW, JT, and NT packages.

# SN54LS646, SN54LS647, SN74LS646, SN74LS647

## OCTAL BUS TRANSCEIVERS AND REGISTERS

SDLS190A – DECEMBER 1982 – REVISED MAY 2004

logic symbols †

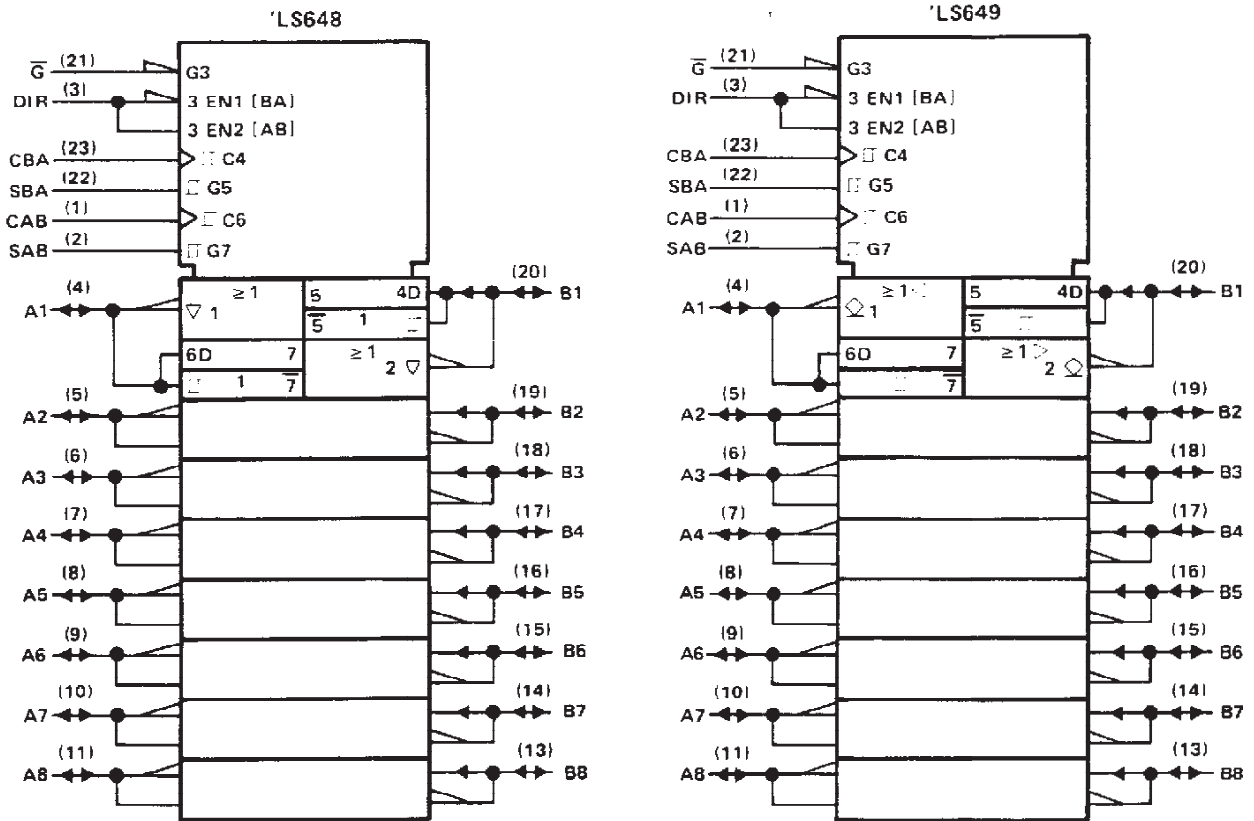


†These symbols are in accordance with ANSI/IEEE Std. 91-1984 and IEC Publication 617-12. Pin numbers shown are for DW, JT, and NT packages.

# SN54LS648, SN54LS649, SN74LS648, SN74LS649 OCTAL BUS TRANSCEIVERS AND REGISTERS

SDLS190A - DECEMBER 1982 - REVISED MAY 2004

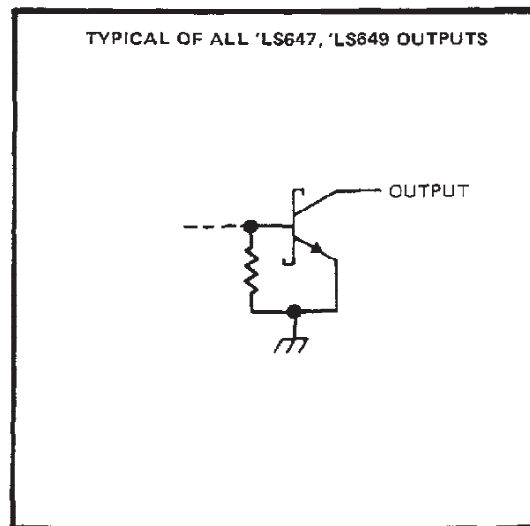
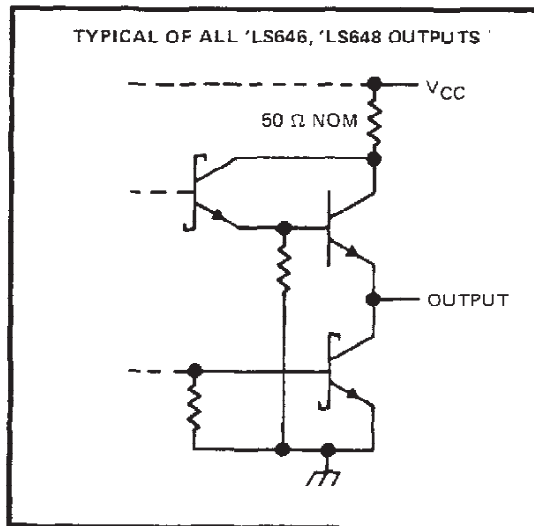
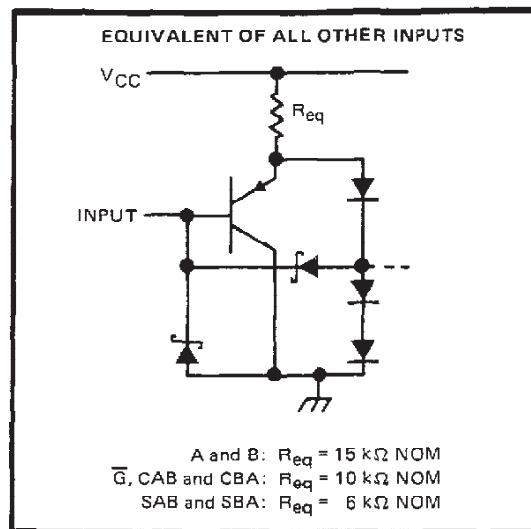
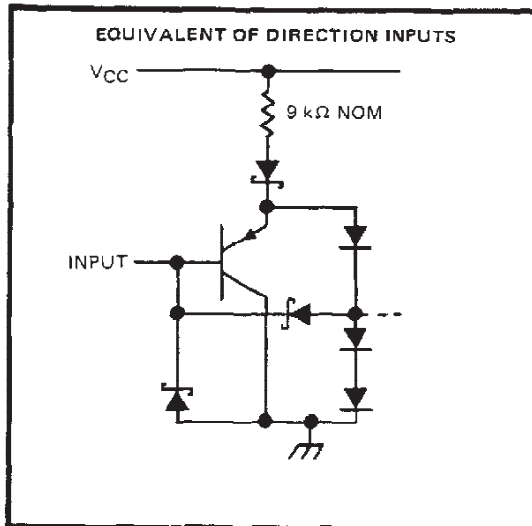
logic symbols† (continued)



†These symbols are in accordance with ANSI/IEEE Std. 91-1984 and IEC Publication 617-12.  
Pin numbers shown are for DW, JT, and NT packages.

**SN54LS646 THRU SN54LS649**  
**SN74LS646 THRU SN74LS649**  
**OCTAL BUS TRANSCEIVERS AND REGISTERS**  
 SDLS190A – DECEMBER 1982 – REVISED MAY 2004

schematics of inputs and outputs



# SN54LS646, SN54LS648, SN74LS646, SN74LS648

## OCTAL BUS TRANSCEIVERS AND REGISTERS WITH 3-STATE OUTPUTS

SDLS190A – DECEMBER 1982 – REVISED MAY 2004

### absolute maximum ratings over operating free-air temperature range (unless otherwise noted)

Supply voltage, $V_{CC}$ .....	7 V
Input voltage: Control inputs .....	7 V
I/O ports .....	5.5 V
Operating free-air temperature range: SN54LS646, SN54LS648 .....	– 55°C to 125°C
SN74LS646, SN74LS648 .....	0°C to 70°C
Storage temperature range .....	– 65°C to 150°C

### recommended operating conditions

		SN54LS646/648			SN74LS646/648			UNIT
		MIN	NOM	MAX	MIN	NOM	MAX	
$V_{CC}$	Supply voltage	4.5	5	5.5	4.75	5	5.25	V
$V_{IH}$	High-level input voltage	2			2			V
$V_{IL}$	Low-level input voltage			0.5			0.6	V
$I_{OH}$	High-level output current			– 12			– 15	mA
$I_{OL}$	Low-level output current			12			24	mA
$t_w$	Pulse duration	CBA or CAB high		15	15			ns
		CBA or CAB low		30	30			
		Data high or low		30	30			
$t_{su}$	Setup time before CAB† or CBA †	A or B		15	15		ns	
$t_h$	Hold time after CAB† or CBA †	A or B		0	0		ns	
$T_A$	Operating free-air temperature	– 55		125	0		70	°C

### electrical characteristics over recommended operating free-air temperature range (unless otherwise noted)

PARAMETER		TEST CONDITIONS†	SN54LS646/648		SN74LS646/648		UNIT		
			MIN	TYP‡	MAX	MIN		TYP‡	MAX
$V_{IK}$		$V_{CC} = \text{MIN}, I_I = -18 \text{ mA}$			– 1.5		– 1.5	V	
Hysteresis ( $V_{T+} - V_{T-}$ )	A or B input	$V_{CC} = \text{MIN}$	0.1	0.4		0.2	0.4	V	
$V_{OH}$		$V_{CC} = \text{MIN}, V_{IH} = 2 \text{ V}, V_{IL} = \text{MAX}$	$I_{OH} = -3 \text{ mA}$	2.4	3.4	2.4	3.4	V	
			$I_{OH} = -12 \text{ mA}$	2					
			$I_{OH} = -15 \text{ mA}$			2			
$V_{OL}$		$V_{CC} = \text{MIN}, V_{IH} = 2 \text{ V}, V_{IL} = \text{MAX}$	$I_{OL} = 12 \text{ mA}$		0.25	0.4	0.25	0.4	V
			$I_{OL} = 24 \text{ mA}$				0.35	0.5	
$I_I$	Control inputs	$V_{CC} = \text{MAX}, V_I = 7 \text{ V}$			0.1		0.1	mA	
	A or B ports	$V_{CC} = \text{MAX}, V_I = 5.5 \text{ V}$			0.1		0.1		
$I_{IH}$	Control inputs	$V_{CC} = \text{MAX}, V_I = 2.7 \text{ V}$			20		20	$\mu\text{A}$	
	A or B ports‡				20		20		
$I_{IL}$	Control inputs	$V_{CC} = \text{MAX}, V_I = 0.4 \text{ V}$			– 0.4		– 0.4	mA	
	A or B ports‡				– 0.4		– 0.4		
$I_{OS}§$		$V_{CC} = \text{MAX}, V_O = 0 \text{ V}$	– 40		– 225	– 40	– 225	mA	
$I_{CC}$	LS646	$V_{CC} = \text{MAX}$	Outputs high	91	145	91	145	mA	
			Outputs low	103	165	103	165		
			Outputs disabled	103	165	103	165		
	Outputs high		91	145	91	145			
	Outputs low		103	165	103	165			
	Outputs disabled		120	180	120	180			

† For conditions shown as MIN or MAX, use the appropriate value specified under recommended operating conditions.

‡ All typical values are at  $V_{CC} = 5 \text{ V}, T_A = 25^\circ\text{C}$ .

§ Not more than one output should be shorted at a time, and duration of the short-circuit should not exceed one second.

¶ For I/O ports, the parameters  $I_{IH}$  and  $I_{IL}$  include the off-state output current.



# SN54LS646, SN54LS648, SN74LS646, SN74LS648

## OCTAL BUS TRANSCEIVERS AND REGISTERS WITH 3-STATE OUTPUTS

SDLS190A – DECEMBER 1982 – REVISED MAY 2004

switching characteristics,  $V_{CC} = 5\text{ V}$ ,  $T_A = 25^\circ\text{C}$

PARAMETER	FROM (INPUT)	TO (OUTPUT)	TEST CONDITIONS	'LS646			'LS648			UNIT
				MIN	TYP	MAX	MIN	TYP	MAX	
$t_{PLH}$	CAB or CBA	A or B	$R_L = 667\ \Omega$ , $C_L = 45\ \text{pF}$ , See Note 2	15	25		15	25	ns	
$t_{PHL}$				23	35		24	40	ns	
$t_{PLH}$	A or B	B or A		12	18		12	18	ns	
$t_{PHL}$				13	20		15	25	ns	
$t_{PLH}$	SAB or SBA† with Bus input high	A or B		26	40		37	55	ns	
$t_{PHL}$				21	35		24	40	ns	
$t_{PLH}$	SAB or SBA† with Bus input low	A or B		33	50		26	40	ns	
$t_{PHL}$				14	25		23	40	ns	
$t_{PZH}$	$\overline{G}$	A or B		33	55		30	50	ns	
$t_{PZL}$				42	65		37	55	ns	
$t_{PZH}$	DIR	A or B	28	45		23	40	ns		
$t_{PZL}$			39	60		30	45	ns		
$t_{PHZ}$	$\overline{G}$	A or B	23	35		28	45	ns		
$t_{PLZ}$			22	35		22	35	ns		
$t_{PHZ}$	DIR	A or B	20	30		24	35	ns		
$t_{PLZ}$			19	30		19	30	ns		

† These parameters are measured with the internal output state of the storage register opposite to that of the input.

NOTE 2: Load circuits and voltage waveforms are shown in Section 1.



# SN54LS647, SN54LS649, SN74LS647, SN74LS649

## OCTAL BUS TRANSCEIVERS AND REGISTERS WITH OPEN-COLLECTOR OUTPUTS

SDLS190A – DECEMBER 1982 – REVISED MAY 2004

absolute maximum ratings over operating free-air temperature range (unless otherwise noted)

Supply voltage, $V_{CC}$ (see Note 1)	7 V
Input voltage (control inputs)	7 V
Off-state output voltage (A and B ports)	5.5 V
Operating free-air temperature range: SN54LS647, SN54LS649	– 55°C to 125°C
SN74LS647, SN74LS649	– 0°C to 70°C
Storage temperature range	– 65°C to 150°C

recommended operating conditions

		SN54LS647 SN54LS649			SN74LS647 SN74LS649			UNIT
		MIN	NOM	MAX	MIN	NOM	MAX	
$V_{CC}$	Supply voltage	4.5	5	5.5	4.75	5	5.25	V
$V_{IH}$	High-level input voltage	2			2			V
$V_{IL}$	Low-level input voltage	0.5			0.6			V
$V_{OH}$	High-level output voltage	5.5			5.5			V
$I_{OL}$	Low-level output voltage	12			24			mA
$t_w$	Pulse duration	CBA or CAB high		15	15		ns	
		CBA or CAB low		30	30			
		Data high or low		30	30			
$t_{su}$	Setup time before CAB † or CBA †	A or B		15	15		ns	
$t_h$	Hold time after CAB † or CBA †	A or B		0	0		ns	
$T_A$	Operating free-air temperature	– 55		125	0		70	°C

electrical characteristics over recommended operating free-air temperature range (unless otherwise noted)

PARAMETER		TEST CONDITIONS†	SN54LS647 SN54LS649			SN74LS647 SN74LS649			UNIT	
			MIN	TYP‡	MAX	MIN	TYP‡	MAX		
$V_{IK}$		$V_{CC} = \text{MIN}, I_I = -18 \text{ mA}$	– 1.5			– 1.5			V	
Hysteresis ( $V_{T+} - V_{T-}$ )	A or B input	$V_{CC} = \text{MIN}$	0.1	0.4		0.2	0.4		V	
$I_{OH}$		$V_{CC} = \text{MIN}, V_{IH} = 2 \text{ V}, V_{IL} = \text{MAX}, V_{OH} = 5.5 \text{ V}$	0.1			0.1			mA	
$V_{OL}$		$V_{CC} = \text{MIN}, V_{IH} = 2 \text{ V}, V_{IL} = \text{MAX}$	$I_{OL} = 12 \text{ mA}$		$I_{OL} = 24 \text{ mA}$				V	
$I_I$	A or B	$V_{CC} = \text{MAX}$	$V_I = 5.5 \text{ V}$		$V_I = 5.5 \text{ V}$		0.1		mA	
	All others		$V_I = 7 \text{ V}$		$V_I = 7 \text{ V}$		0.1			
$I_{IH}$		$V_{CC} = \text{MAX}, V_I = 2.7 \text{ V}$	20			20			µA	
$I_{IL}$		$V_{CC} = \text{MAX}, V_I = 0.4 \text{ V}$	– 0.4			– 0.4			mA	
$I_{CC}$	'LS647	$V_{CC} = \text{MAX}, \text{Outputs open}$	Outputs high		79	130	79		130	mA
			Outputs low		94	150	94		150	
	'LS649	$V_{CC} = \text{MAX}, \text{Outputs open}$	Outputs high		79	130	79		130	
			Outputs low		94	150	94		150	

† For conditions shown as MIN or MAX, use the appropriate value specified under recommended operating conditions.

‡ All typical values are at  $V_{CC} = 5 \text{ V}, T_A = 25^\circ\text{C}$ .



# SN54LS647, SN54LS649, SN74LS647, SN74LS649

## OCTAL BUS TRANSCEIVERS AND REGISTERS WITH OPEN-COLLECTOR OUTPUTS

SDLS190A – DECEMBER 1982 – REVISED MAY 2004

switching characteristics,  $V_{CC} = 5 V$ ,  $T_A = 25^\circ C$

PARAMETER	FROM (INPUT)	TO (OUTPUT)	TEST CONDITIONS	'LS647			'LS649			UNIT
				MIN	TYP	MAX	MIN	TYP	MAX	
$t_{PLH}$	CAB or CBA	A or B	$R_L = 667 \Omega$ , $C_L = 45 pF$ , See Note 2	22	35		17	30	ns	
$t_{PHL}$				28	45		28	45	ns	
$t_{PLH}$	A or B	B or A		17	26		15	25	ns	
$t_{PHL}$				18	27		20	30	ns	
$t_{PLH}$	SAB or SBA† with Bus input high	A or B		33	50		37	55	ns	
$t_{PHL}$				29	45		28	45	ns	
$t_{PLH}$	SAB or SBA† with Bus input low			39	60		30	45	ns	
$t_{PHL}$				19	30		26	40	ns	
$t_{PLH}$	G	A or B		25	40		21	40	ns	
$t_{PHL}$				33	50		34	50	ns	
$t_{PLH}$	DIR			23	35		19	30	ns	
$t_{PHL}$				25	40		27	45	ns	

† These parameters are measured with the internal outputs state of the storage register opposite to that of the bus input.

NOTE 2: Load circuits and voltage waveforms are shown in Section 1.

**PACKAGING INFORMATION**

Orderable Device	Status <sup>(1)</sup>	Package Type	Package Drawing	Pins	Package Qty	Eco Plan <sup>(2)</sup>	Lead/Ball Finish	MSL Peak Temp <sup>(3)</sup>
SN74LS646DW	ACTIVE	SOIC	DW	24	25	Green (RoHS & no Sb/Br)	CU NIPDAU	Level-1-260C-UNLIM
SN74LS646DWE4	ACTIVE	SOIC	DW	24	25	Green (RoHS & no Sb/Br)	CU NIPDAU	Level-1-260C-UNLIM
SN74LS646DWG4	ACTIVE	SOIC	DW	24	25	Green (RoHS & no Sb/Br)	CU NIPDAU	Level-1-260C-UNLIM
SN74LS646DWRE4	ACTIVE	SOIC	DW	24		TBD	Call TI	Call TI
SN74LS646DWRG4	ACTIVE	SOIC	DW	24		TBD	Call TI	Call TI
SN74LS646NT	ACTIVE	PDIP	NT	24	15	Pb-Free (RoHS)	CU NIPDAU	N / A for Pkg Type
SN74LS646NT3	OBSOLETE	PDIP	NT	24		TBD	Call TI	Call TI
SN74LS646NTE4	ACTIVE	PDIP	NT	24	15	Pb-Free (RoHS)	CU NIPDAU	N / A for Pkg Type
SN74LS647DW	OBSOLETE	SOIC	DW	24		TBD	Call TI	Call TI
SN74LS647NT	OBSOLETE	PDIP	NT	24		TBD	Call TI	Call TI
SN74LS648DWE4	ACTIVE	SOIC	DW	24		TBD	Call TI	Call TI
SN74LS648DWG4	ACTIVE	SOIC	DW	24		TBD	Call TI	Call TI
SN74LS648NT	ACTIVE	PDIP	NT	24	15	Pb-Free (RoHS)	CU NIPDAU	N / A for Pkg Type
SN74LS648NTE4	ACTIVE	PDIP	NT	24	15	Pb-Free (RoHS)	CU NIPDAU	N / A for Pkg Type
SN74LS649NT	OBSOLETE	PDIP	NT	24		TBD	Call TI	Call TI

<sup>(1)</sup> The marketing status values are defined as follows:

**ACTIVE:** Product device recommended for new designs.

**LIFEBUY:** TI has announced that the device will be discontinued, and a lifetime-buy period is in effect.

**NRND:** Not recommended for new designs. Device is in production to support existing customers, but TI does not recommend using this part in a new design.

**PREVIEW:** Device has been announced but is not in production. Samples may or may not be available.

**OBSOLETE:** TI has discontinued the production of the device.

<sup>(2)</sup> Eco Plan - The planned eco-friendly classification: Pb-Free (RoHS), Pb-Free (RoHS Exempt), or Green (RoHS & no Sb/Br) - please check <http://www.ti.com/productcontent> for the latest availability information and additional product content details.

**TBD:** The Pb-Free/Green conversion plan has not been defined.

**Pb-Free (RoHS):** TI's terms "Lead-Free" or "Pb-Free" mean semiconductor products that are compatible with the current RoHS requirements for all 6 substances, including the requirement that lead not exceed 0.1% by weight in homogeneous materials. Where designed to be soldered at high temperatures, TI Pb-Free products are suitable for use in specified lead-free processes.

**Pb-Free (RoHS Exempt):** This component has a RoHS exemption for either 1) lead-based flip-chip solder bumps used between the die and package, or 2) lead-based die adhesive used between the die and leadframe. The component is otherwise considered Pb-Free (RoHS compatible) as defined above.

**Green (RoHS & no Sb/Br):** TI defines "Green" to mean Pb-Free (RoHS compatible), and free of Bromine (Br) and Antimony (Sb) based flame retardants (Br or Sb do not exceed 0.1% by weight in homogeneous material)

<sup>(3)</sup> MSL, Peak Temp. -- The Moisture Sensitivity Level rating according to the JEDEC industry standard classifications, and peak solder temperature.

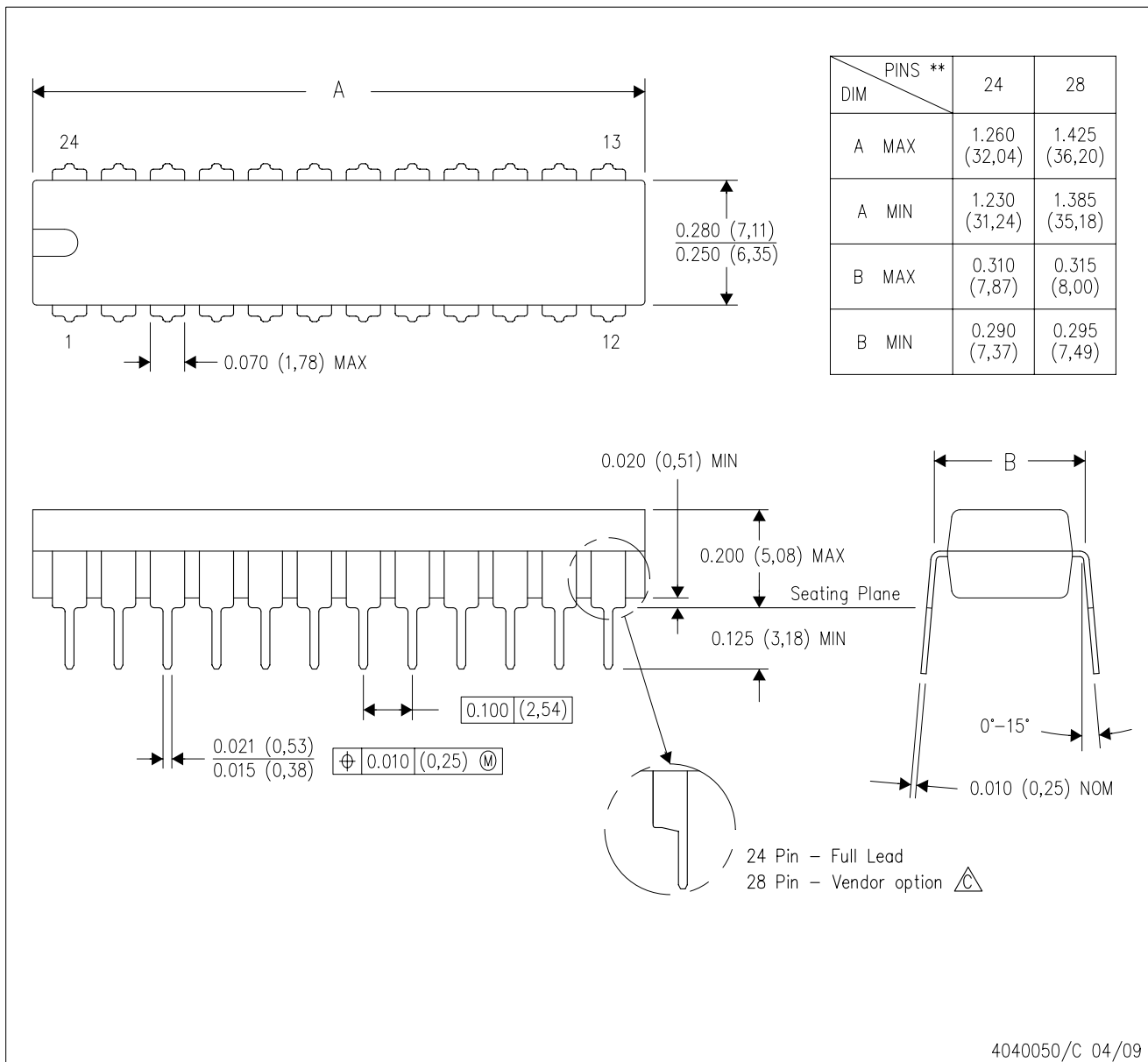
**Important Information and Disclaimer:** The information provided on this page represents TI's knowledge and belief as of the date that it is provided. TI bases its knowledge and belief on information provided by third parties, and makes no representation or warranty as to the accuracy of such information. Efforts are underway to better integrate information from third parties. TI has taken and continues to take reasonable steps to provide representative and accurate information but may not have conducted destructive testing or chemical analysis on incoming materials and chemicals. TI and TI suppliers consider certain information to be proprietary, and thus CAS numbers and other limited information may not be available for release.


In no event shall TI's liability arising out of such information exceed the total purchase price of the TI part(s) at issue in this document sold by TI to Customer on an annual basis.

# MECHANICAL DATA

NT (R-PDIP-T\*\*) 24 PINS SHOWN

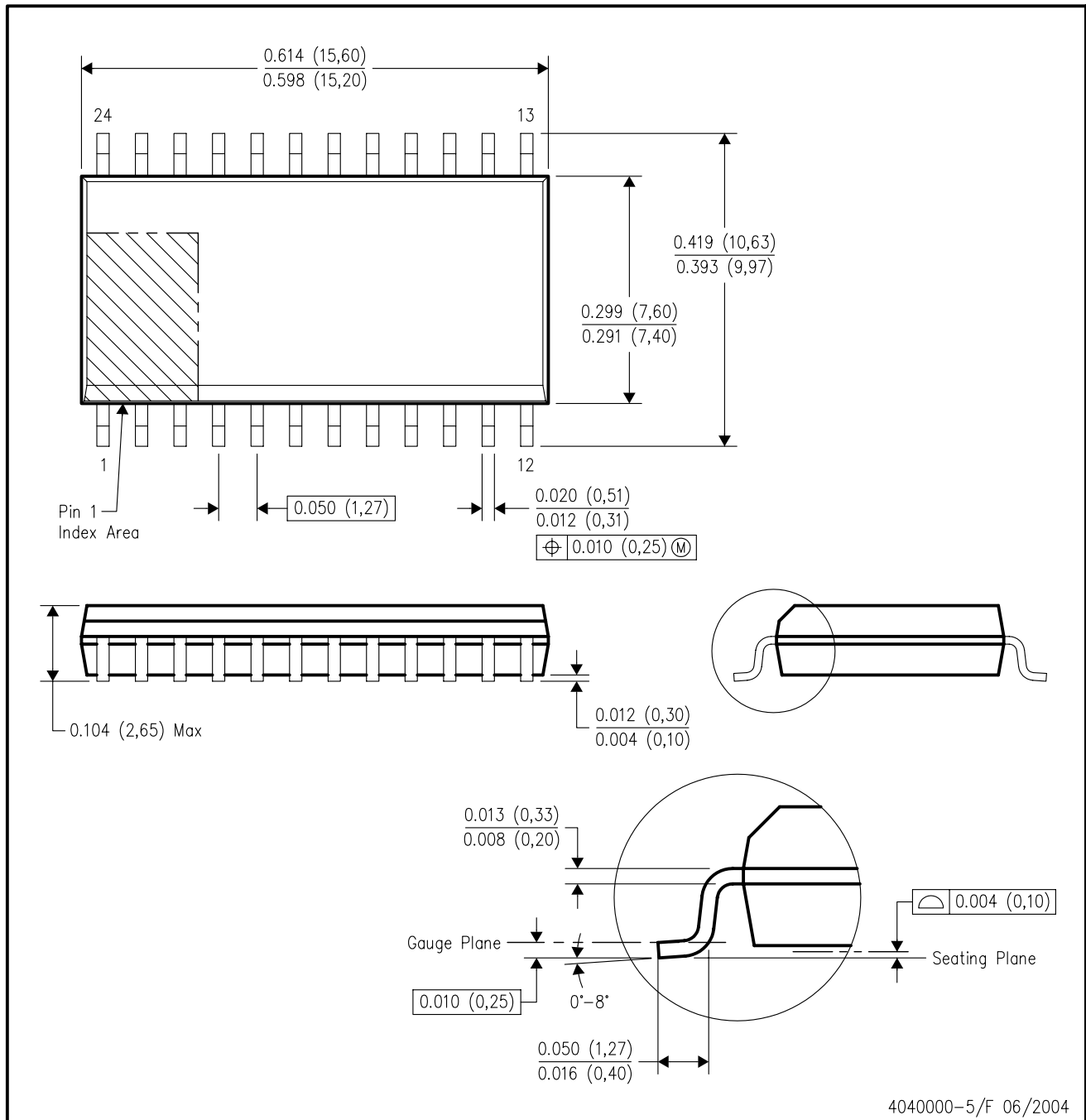
PLASTIC DUAL-IN-LINE PACKAGE



- NOTES:
- A. All linear dimensions are in millimeters. Dimensioning and tolerancing per ASME Y14.5M-1994.
  - B. This drawing is subject to change without notice.
  -  The 28 pin end lead shoulder width is a vendor option, either half or full width.

DW (R-PDSO-G24)

PLASTIC SMALL-OUTLINE PACKAGE



4040000-5/F 06/2004

- NOTES:
- A. All linear dimensions are in inches (millimeters).
  - B. This drawing is subject to change without notice.
  - C. Body dimensions do not include mold flash or protrusion not to exceed 0.006 (0,15).
  - D. Falls within JEDEC MS-013 variation AD.

## IMPORTANT NOTICE

Texas Instruments Incorporated and its subsidiaries (TI) reserve the right to make corrections, modifications, enhancements, improvements, and other changes to its products and services at any time and to discontinue any product or service without notice. Customers should obtain the latest relevant information before placing orders and should verify that such information is current and complete. All products are sold subject to TI's terms and conditions of sale supplied at the time of order acknowledgment.

TI warrants performance of its hardware products to the specifications applicable at the time of sale in accordance with TI's standard warranty. Testing and other quality control techniques are used to the extent TI deems necessary to support this warranty. Except where mandated by government requirements, testing of all parameters of each product is not necessarily performed.

TI assumes no liability for applications assistance or customer product design. Customers are responsible for their products and applications using TI components. To minimize the risks associated with customer products and applications, customers should provide adequate design and operating safeguards.

TI does not warrant or represent that any license, either express or implied, is granted under any TI patent right, copyright, mask work right, or other TI intellectual property right relating to any combination, machine, or process in which TI products or services are used. Information published by TI regarding third-party products or services does not constitute a license from TI to use such products or services or a warranty or endorsement thereof. Use of such information may require a license from a third party under the patents or other intellectual property of the third party, or a license from TI under the patents or other intellectual property of TI.

Reproduction of TI information in TI data books or data sheets is permissible only if reproduction is without alteration and is accompanied by all associated warranties, conditions, limitations, and notices. Reproduction of this information with alteration is an unfair and deceptive business practice. TI is not responsible or liable for such altered documentation. Information of third parties may be subject to additional restrictions.

Resale of TI products or services with statements different from or beyond the parameters stated by TI for that product or service voids all express and any implied warranties for the associated TI product or service and is an unfair and deceptive business practice. TI is not responsible or liable for any such statements.

TI products are not authorized for use in safety-critical applications (such as life support) where a failure of the TI product would reasonably be expected to cause severe personal injury or death, unless officers of the parties have executed an agreement specifically governing such use. Buyers represent that they have all necessary expertise in the safety and regulatory ramifications of their applications, and acknowledge and agree that they are solely responsible for all legal, regulatory and safety-related requirements concerning their products and any use of TI products in such safety-critical applications, notwithstanding any applications-related information or support that may be provided by TI. Further, Buyers must fully indemnify TI and its representatives against any damages arising out of the use of TI products in such safety-critical applications.

TI products are neither designed nor intended for use in military/aerospace applications or environments unless the TI products are specifically designated by TI as military-grade or "enhanced plastic." Only products designated by TI as military-grade meet military specifications. Buyers acknowledge and agree that any such use of TI products which TI has not designated as military-grade is solely at the Buyer's risk, and that they are solely responsible for compliance with all legal and regulatory requirements in connection with such use.

TI products are neither designed nor intended for use in automotive applications or environments unless the specific TI products are designated by TI as compliant with ISO/TS 16949 requirements. Buyers acknowledge and agree that, if they use any non-designated products in automotive applications, TI will not be responsible for any failure to meet such requirements.

Following are URLs where you can obtain information on other Texas Instruments products and application solutions:

### Products

Amplifiers	<a href="http://amplifier.ti.com">amplifier.ti.com</a>
Data Converters	<a href="http://dataconverter.ti.com">dataconverter.ti.com</a>
DLP® Products	<a href="http://www.dlp.com">www.dlp.com</a>
DSP	<a href="http://dsp.ti.com">dsp.ti.com</a>
Clocks and Timers	<a href="http://www.ti.com/clocks">www.ti.com/clocks</a>
Interface	<a href="http://interface.ti.com">interface.ti.com</a>
Logic	<a href="http://logic.ti.com">logic.ti.com</a>
Power Mgmt	<a href="http://power.ti.com">power.ti.com</a>
Microcontrollers	<a href="http://microcontroller.ti.com">microcontroller.ti.com</a>
RFID	<a href="http://www.ti-rfid.com">www.ti-rfid.com</a>
RF/IF and ZigBee® Solutions	<a href="http://www.ti.com/lprf">www.ti.com/lprf</a>

### Applications

Audio	<a href="http://www.ti.com/audio">www.ti.com/audio</a>
Automotive	<a href="http://www.ti.com/automotive">www.ti.com/automotive</a>
Broadband	<a href="http://www.ti.com/broadband">www.ti.com/broadband</a>
Digital Control	<a href="http://www.ti.com/digitalcontrol">www.ti.com/digitalcontrol</a>
Medical	<a href="http://www.ti.com/medical">www.ti.com/medical</a>
Military	<a href="http://www.ti.com/military">www.ti.com/military</a>
Optical Networking	<a href="http://www.ti.com/opticalnetwork">www.ti.com/opticalnetwork</a>
Security	<a href="http://www.ti.com/security">www.ti.com/security</a>
Telephony	<a href="http://www.ti.com/telephony">www.ti.com/telephony</a>
Video & Imaging	<a href="http://www.ti.com/video">www.ti.com/video</a>
Wireless	<a href="http://www.ti.com/wireless">www.ti.com/wireless</a>

Mailing Address: Texas Instruments, Post Office Box 655303, Dallas, Texas 75265  
Copyright © 2009, Texas Instruments Incorporated