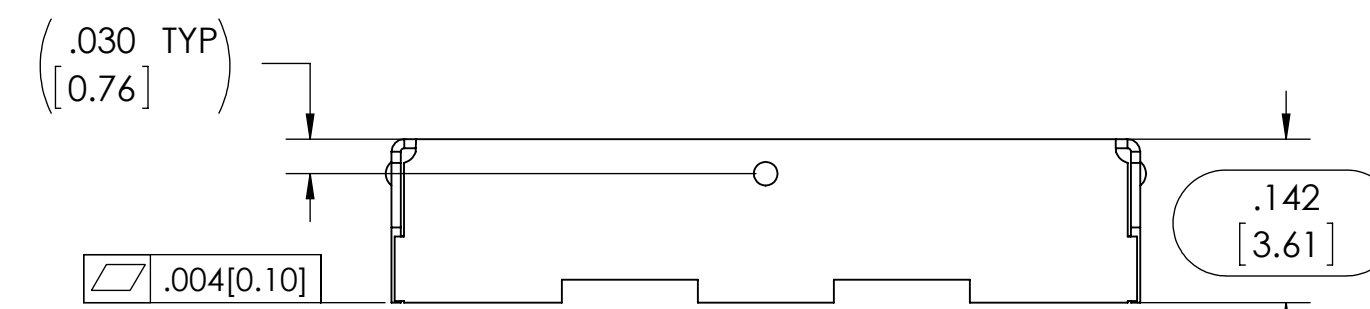
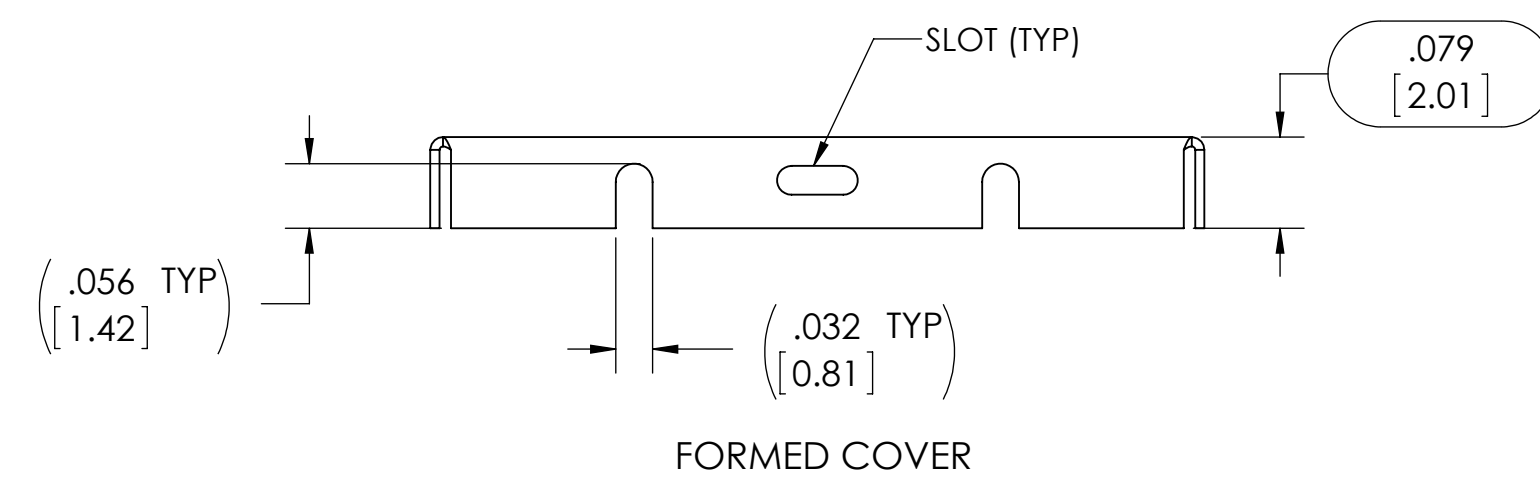
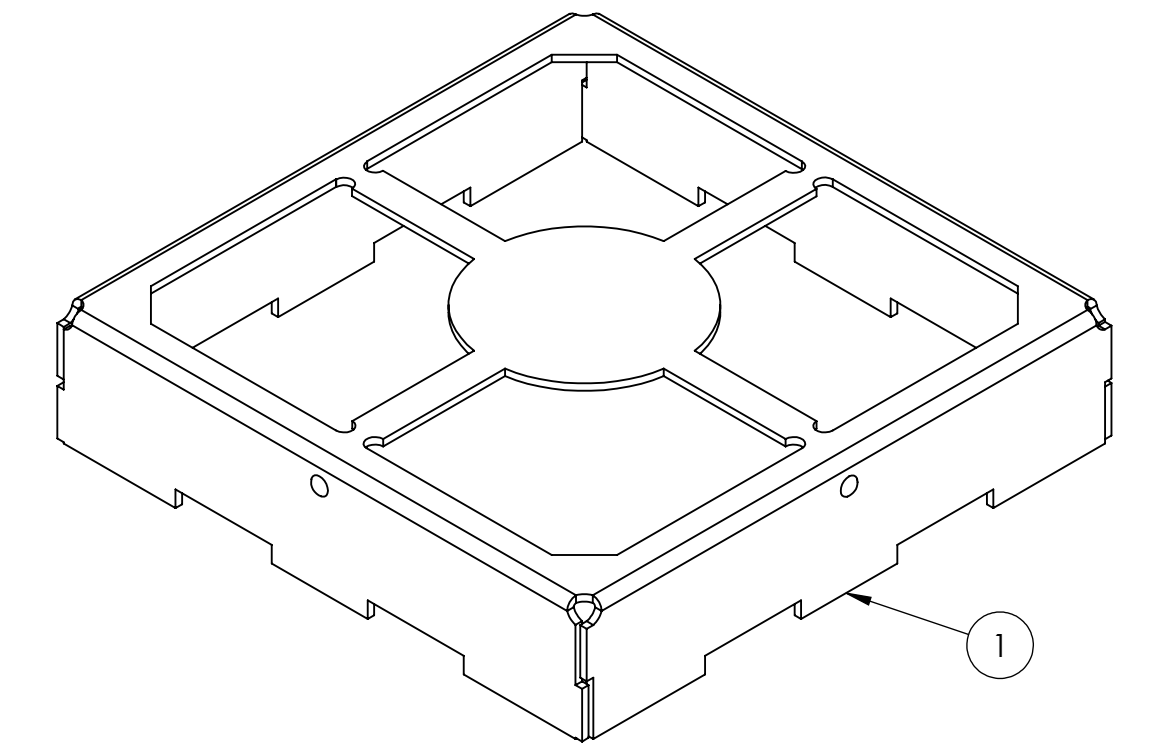
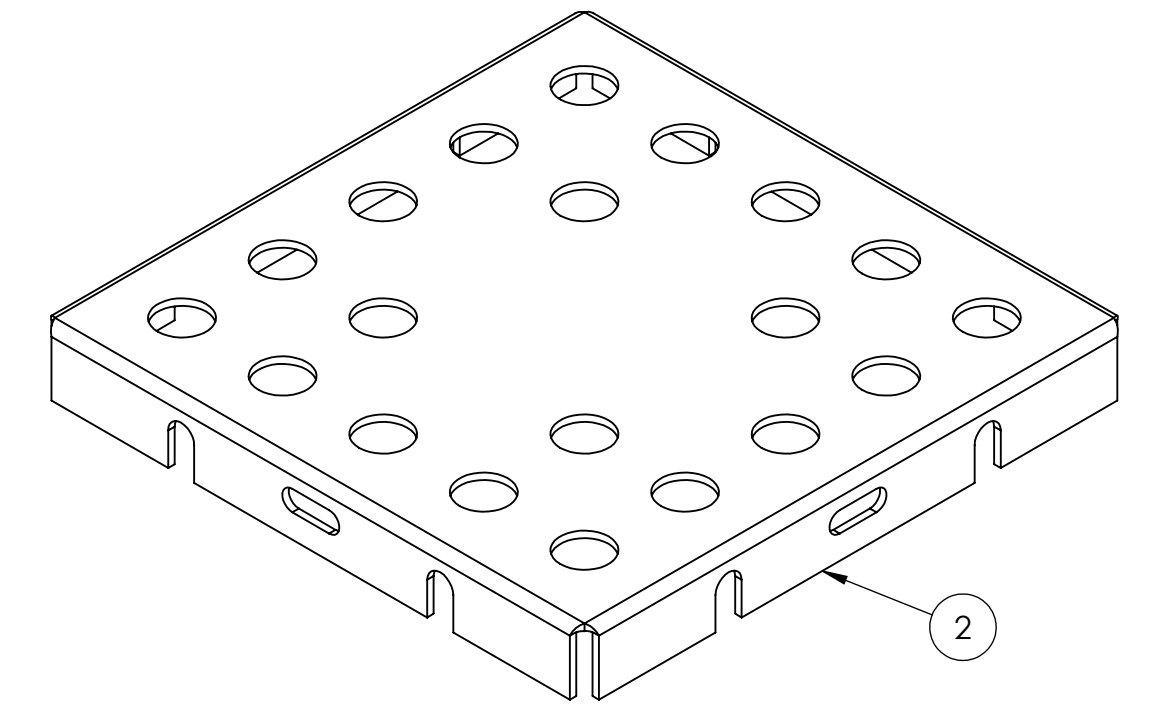
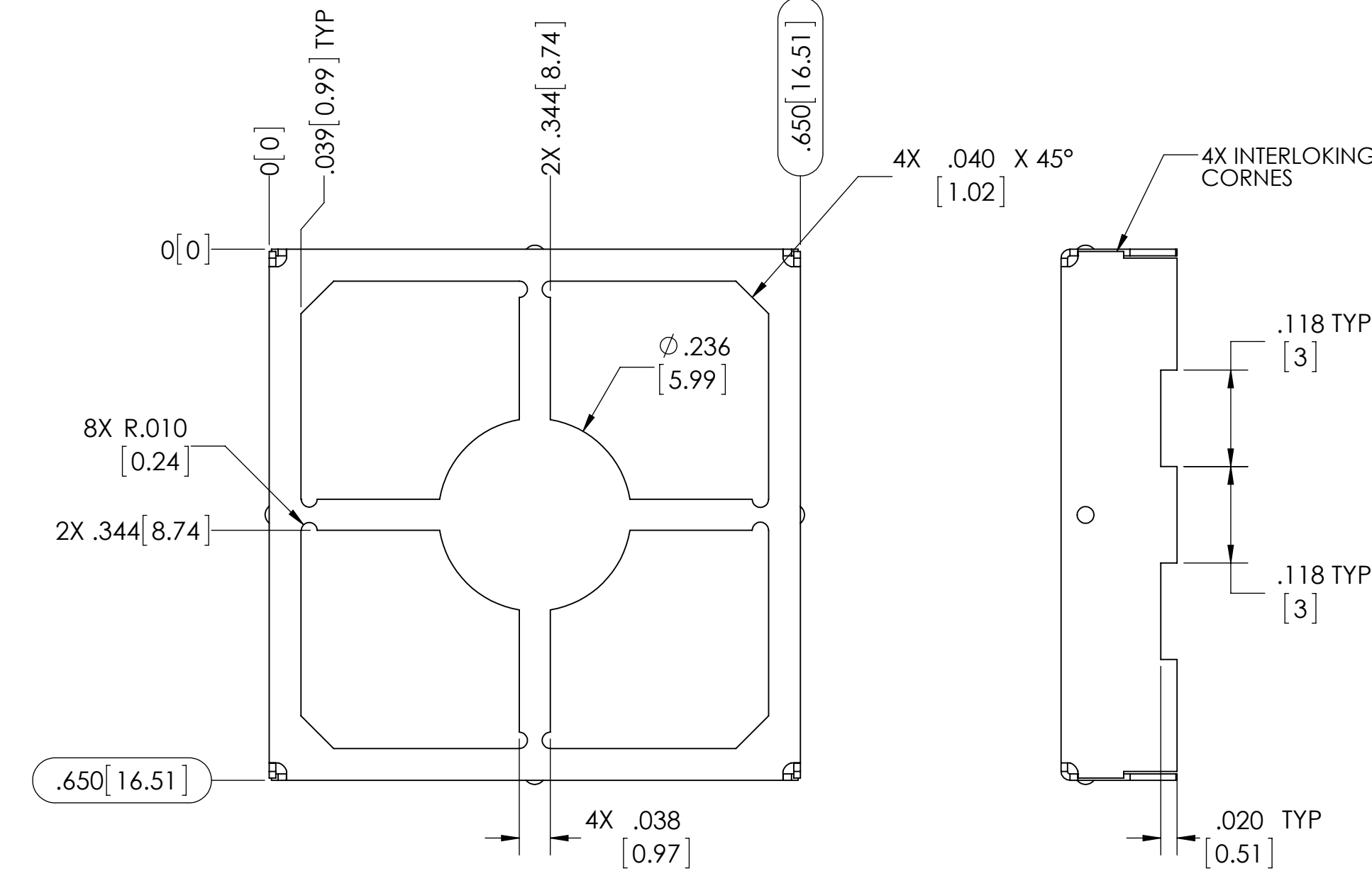
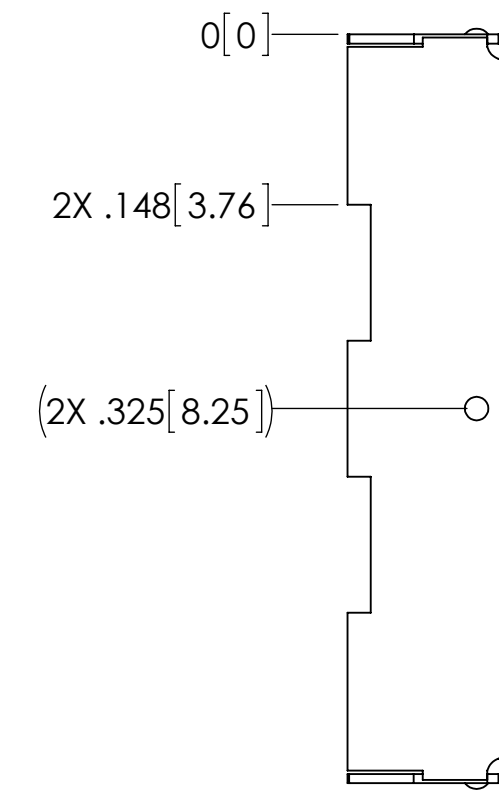
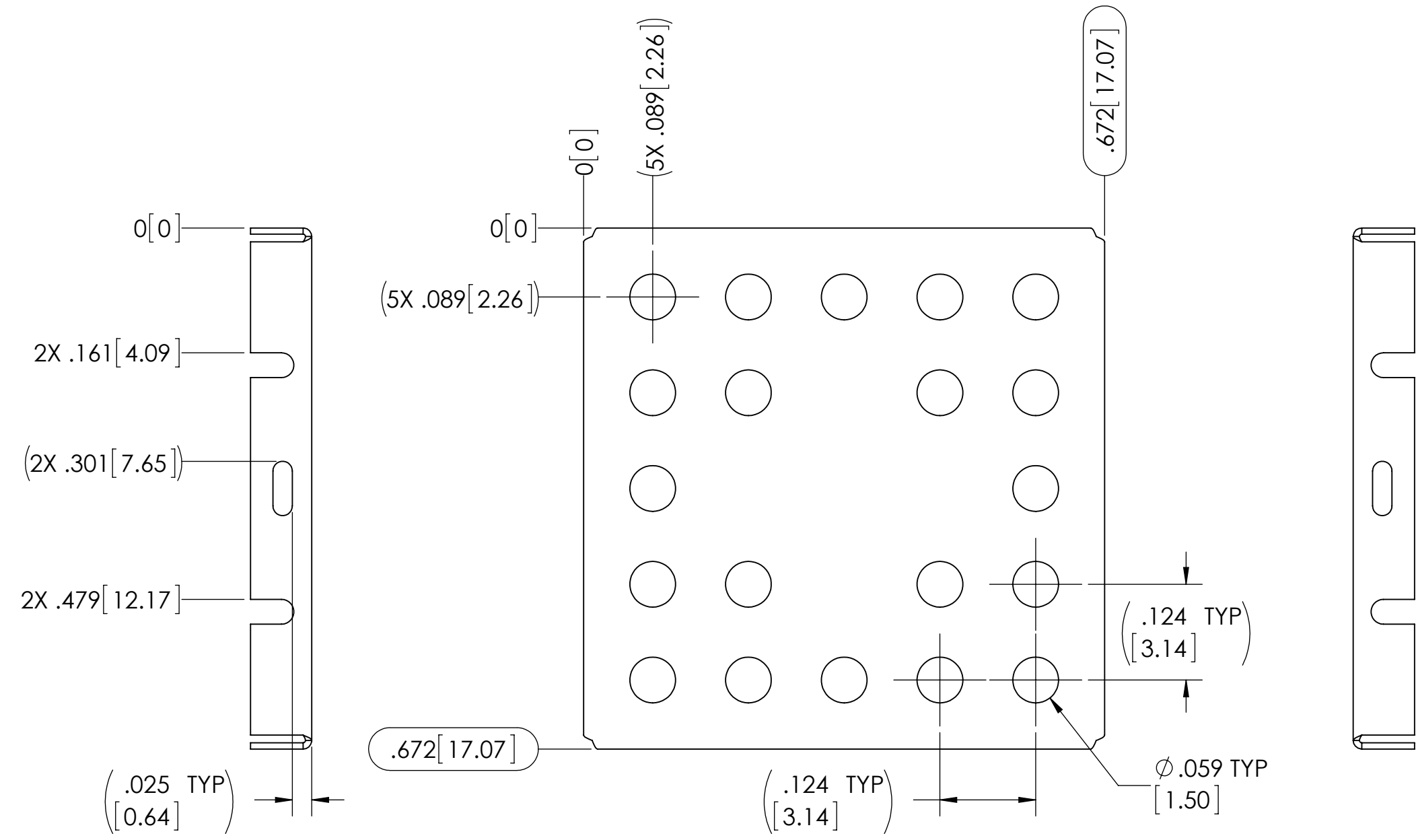
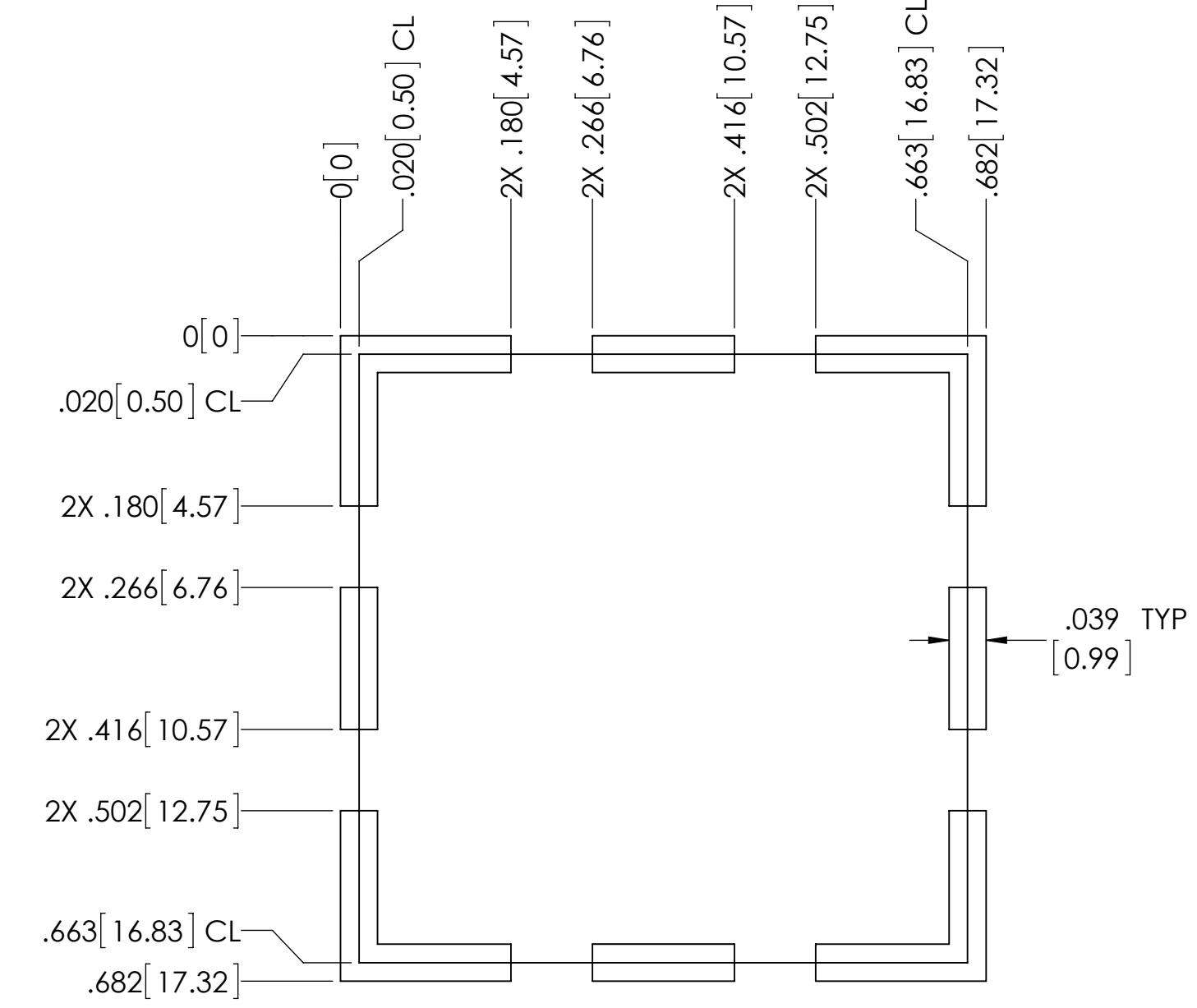
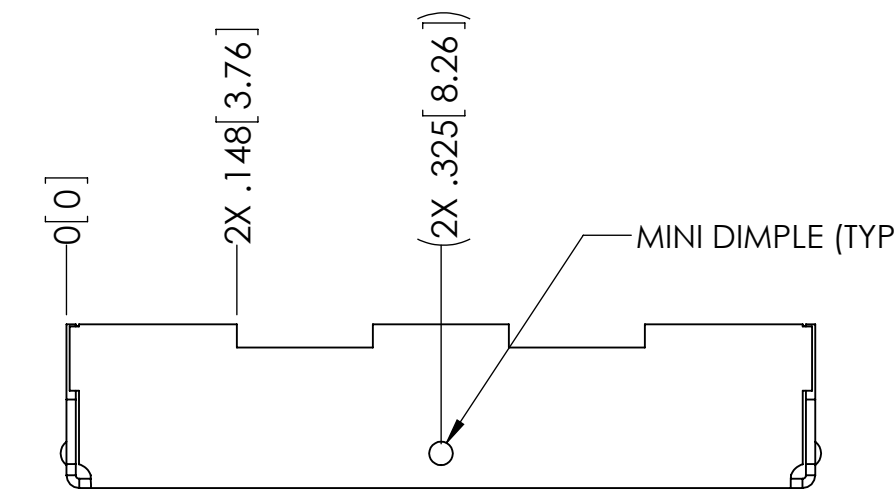
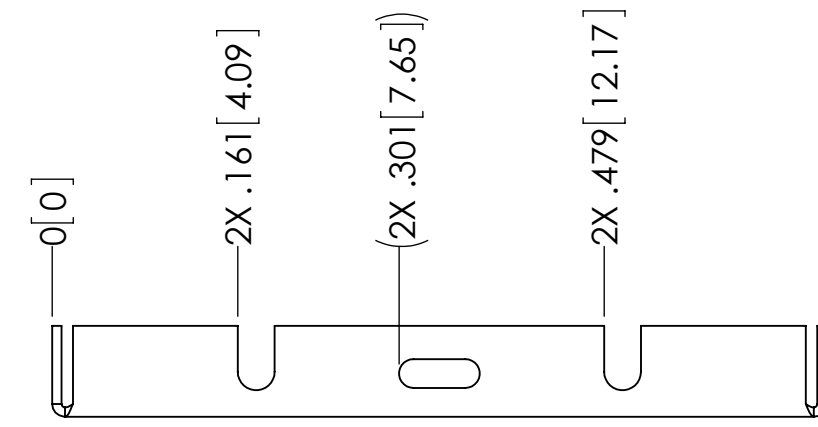
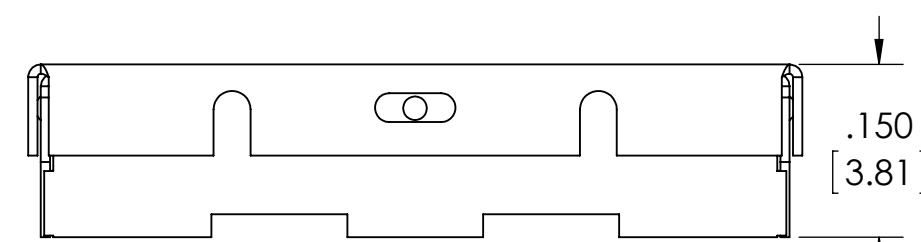


- NOTES:
- PART SHALL BE FREE OF BURRS AND SHARP EDGES
 - ASSURE ASSEMBLY CAPABILITY BY MATCHING WITH MATING PART
 - DIMENSIONS IN [] ARE IN MILLIMETERS

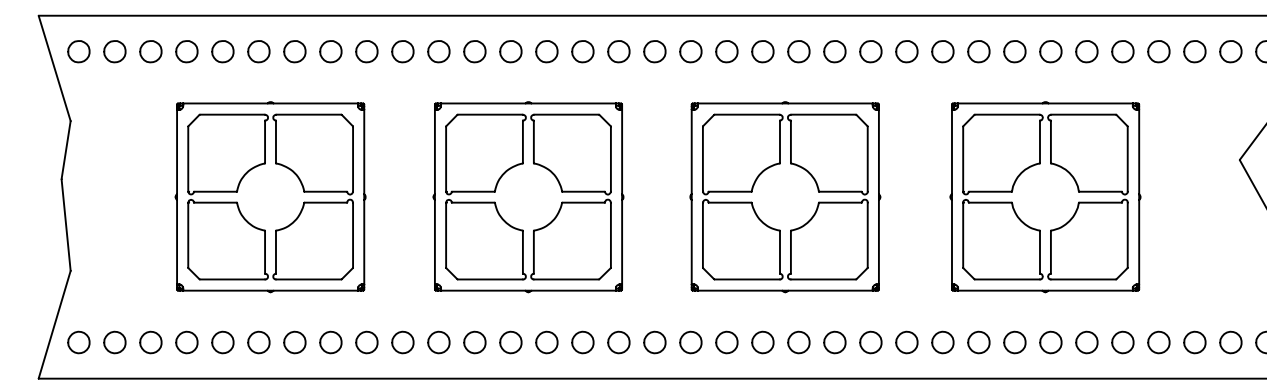


FORMED FRAME

FORMED COVER



ASSEMBLY



CARRIER TAPE

ITEM NO.	PART NUMBER	DESCRIPTION	QTY.
1	SMS-202 F	FRAME	1
2	SMS-202 C	COVER	1

UNLESS OTHERWISE SPECIFIED:
 - ALL DIMENSIONS ARE IN INCHES
 - PART SHALL BE FREE OF BURRS AND SHARP EDGES
 - ALL DIMENSIONS SHOWN APPLY BEFORE PLATING AND COATINGS
 - ROHS COMPLIANT PER EU DIRECTIVE 2011/65/EU
 - POI = POINT OF INTERSECTION

THIRD ANGLE PROJECTION

SCALE: 6:1

DATE: 01/06/2010

DRAWN BY: DJM

APPROVED BY: -

MATERIAL: .008" [0.20] PRE TIN STEEL

FRIBS:

THIS DOCUMENT CONTAINS PROPRIETARY INFORMATION OWNED BY LEADERTECH. IT IS TO BE USED ONLY FOR THE PRIVATE EXPENSE AND MAY NOT BE REPRODUCED, COPIED, OR DISCLOSED IN WHOLE OR IN PART FOR ANY PURPOSE INCLUDING DESIGN, MANUFACTURE OR PROCUREMENT WITHOUT THE WRITTEN PERMISSION OF LEADERTECH. LEADERTECH DOES NOT GUARANTEE OR WARRANT THE PERFORMANCE CHARACTERISTICS.

LEADERTECH
 a HEICO company
 The Leading Edge in PWB Handling Technology

TITLE: SURFACE MOUNT SHIELD

SIZE: D

DWG. NO.: SMS-202

REV: D

CAGE CODE: 41674

SHEET: 1 OF 1

CARRIER TAPE SPECIFICATIONS						
PART NUMBER	DESCRIPTION	OVERALL DIMENSIONS	OVERALL HEIGHT	CARRIER TAPE WIDTH	CARRIER TAPE PITCH	PARTS PER REEL
SMS-202-F	FRAME	.650 X .650 [16.51 X 16.51]	.142 [3.60]	32 mm	24 mm	700
SMS-202-C	COVER	.672 X .672 [17.07 X 17.07]	.079 [2.01]	N/A	N/A	BULK PACK