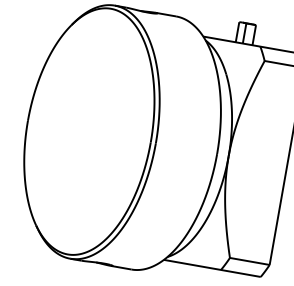


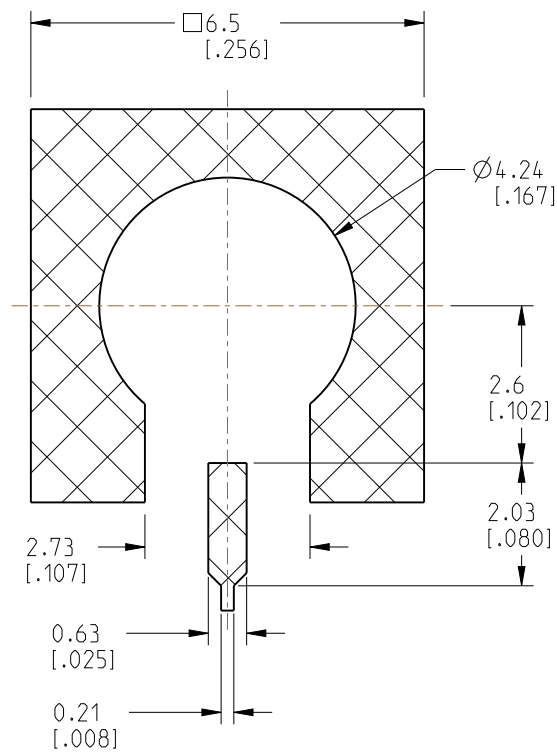
NOTES:

1. MATERIALS AND FINISHES:
 - BODY - BRASS, GOLD PLATING
 - CONTACT - BRASS, GOLD PLATING
 - INSULATOR - LCP E130i, NATURAL
 - CAP - PTFE, NATURAL
2. ELECTRICAL:
 - A. IMPEDANCE: 50 OHM
 - B. FREQUENCY RANGE: DC-20 GHz
 - C. VSWR (RETURN LOSS): 1.10 (-26.4 dB MIN.) MAX. @ DC-8 GHz
1.22 (-22 dB MIN.) MAX. @ 8-20 GHz
 - CONNECTOR ONLY, PERFORMANCE WILL VARY BASED ON BOARD LAYOUT.
 - D. DIELECTRIC WITHSTANDING VOLTAGE: 500 VRMS, MIN.
3. MECHANICAL:
 - A. DURABILITY: 500 CYCLES MIN.
 - B. TEMPERATURE RANGE: -40°C TO +165°C
4. PACKAGING:
 - A. QUANTITY: TAPE & REEL PACKAGING, 1000 PCS/REEL
 - B. MARKING: PACKAGING TO BE MARKED "AMPHENOL RF, SMP-MSCM-PCS12T, AND DATE CODE"

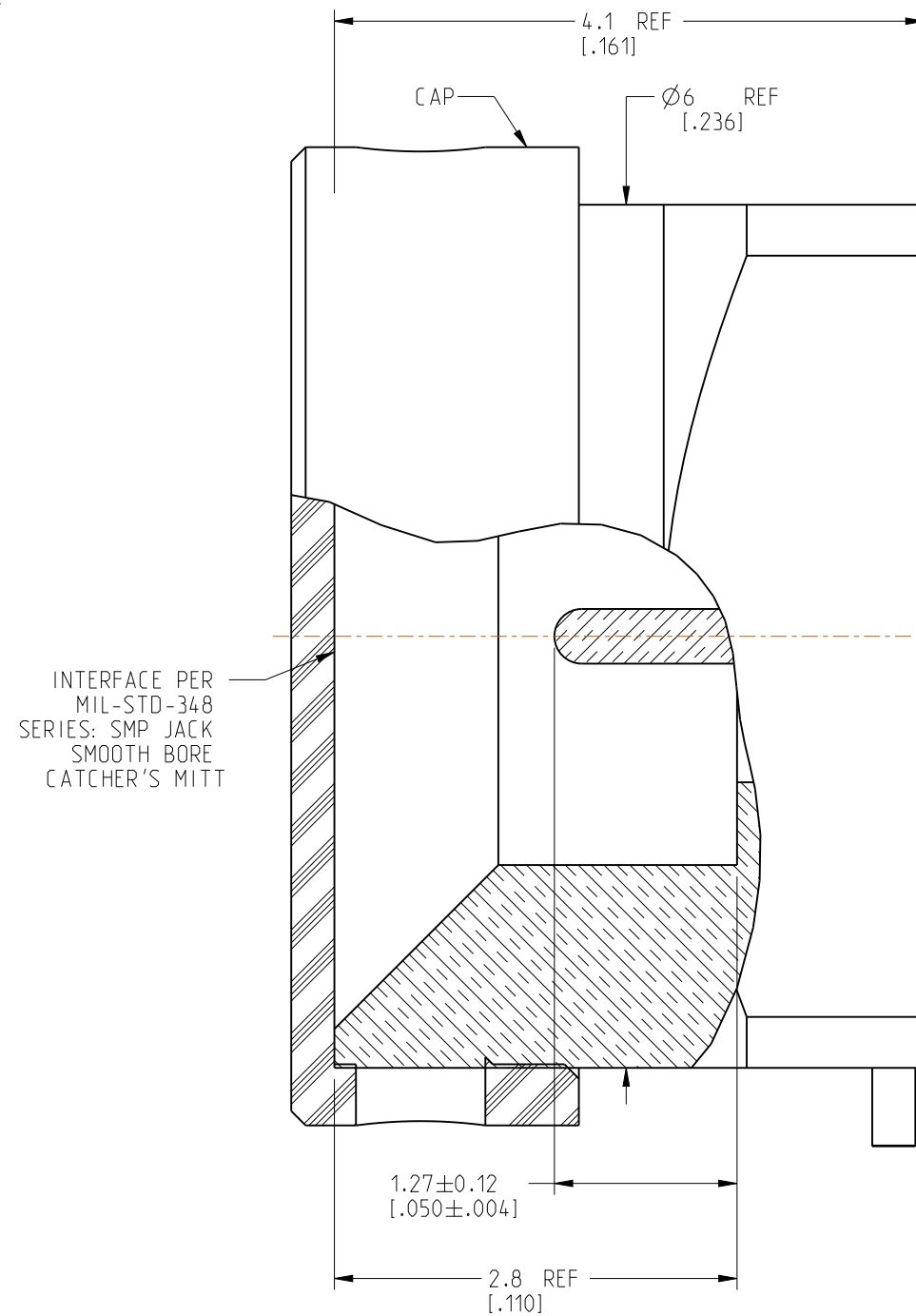


SCALE 5.000

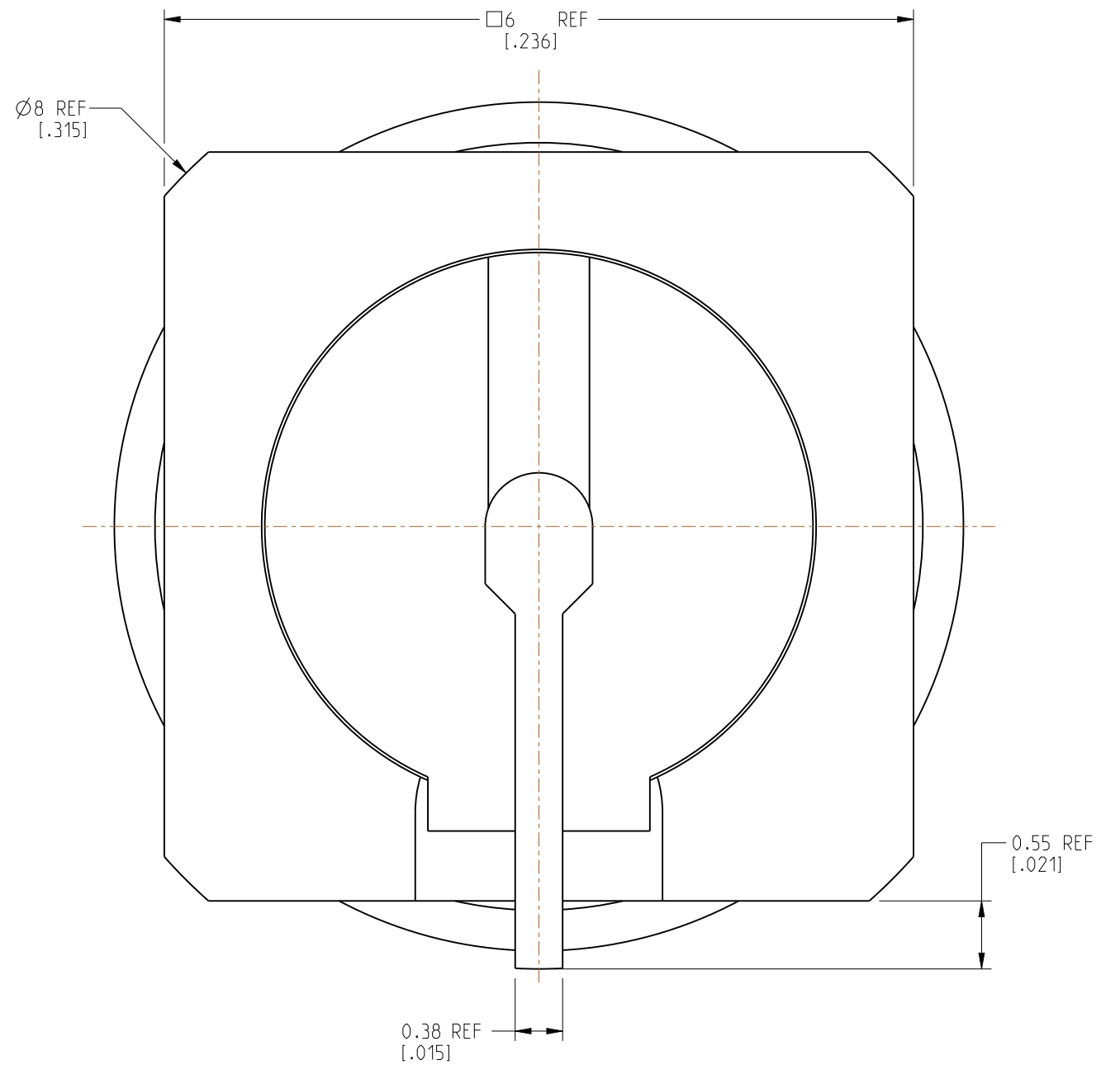
REVISIONS				
REV	DESCRIPTION	DATE	ECN	APPR
A	RELEASE TO MFG.	29-JUN-20	15254	EH



RECOMMENDED PCB LAYOUT



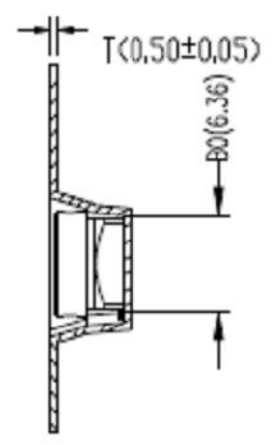
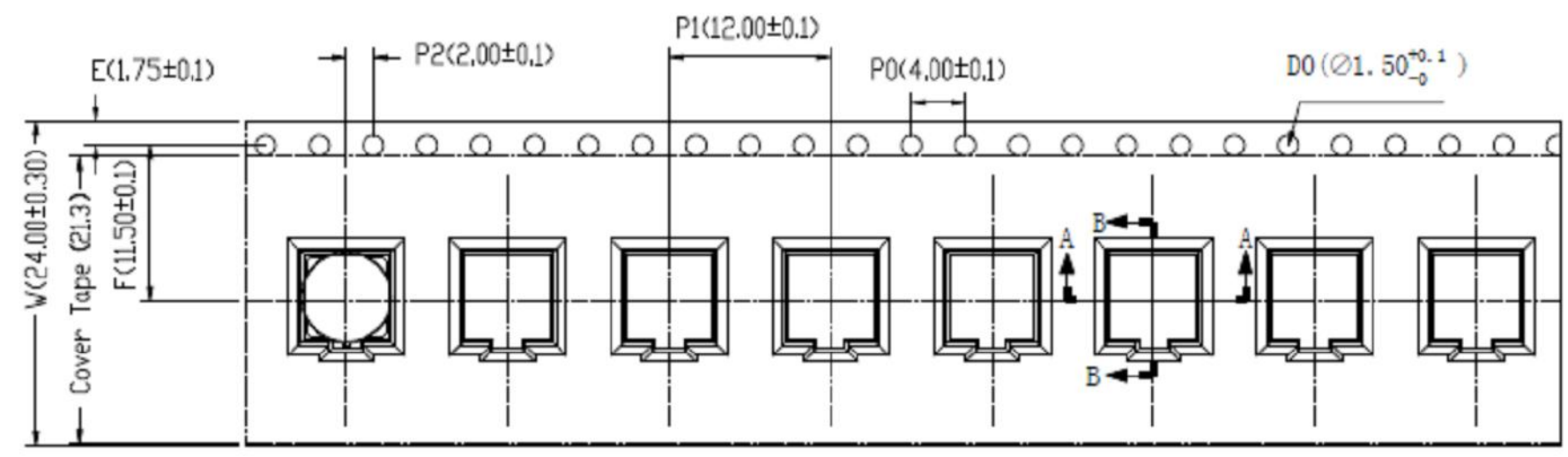
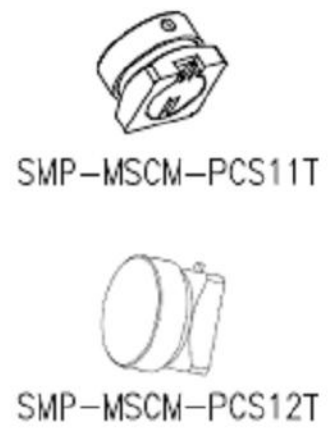
INTERFACE PER MIL-STD-348 SERIES: SMP JACK SMOOTH BORE CATCHER'S MITT



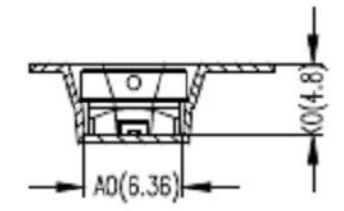
CUSTOMER OUTLINE DRAWING
 ALL OTHER SHEETS ARE FOR INTERNAL USE ONLY

NOTICE: These drawings, specifications, or other data (1) are, and remain the property of Amphenol corp. (2) must be returned upon request; and (3) are confidential and not to be disclosed to any person other than those to whom they are given by Amphenol Corp. The furnishing of these drawings, specifications, or other data by Amphenol Corp., or to any other person to anyone for any purpose is not to be regarded by implication or otherwise in any manner licensing, granting rights to permitting such holder or any other person to manufacture, use or sell any product, process or design, patented or otherwise, that may in any way be related to or disclosed by said drawings, specifications, or other data.			UNLESS OTHERWISE SPECIFIED DIMENSIONS ARE METRIC (INCHES) AND TOLERANCES ARE: <0.5mm = ±0.05mm [-0.020 = ±0.002] >0.5 - 6mm = ±0.1mm [0.020 - 0.236 = ±0.004] >6.00 - 30mm = ±0.2mm [0.236 - 1.181 = ±0.008] >30.00 - 120mm = ±0.3mm [1.181 - 4.725 = ±0.012]			MATERIAL NOTE 1		TITLE SMP SMOOTH BORE JACK SURFACE MOUNT CATCHER'S MITT		Amphenol RF	
THIRD ANGLE PROJ.			REFERENCE SMP-MSCM-PCS-11			ENGINEER E. HILL		DATE 06-APR-20		SHEET NO. 2 OF 3	
EAR# 9644			ANGLES = ±1°			SCALE: 20.0:1.0		DRAWING NO. SMP-MSCM-PCS12T		REV A	
SIZE B			ITEM NO. SMP-MSCM-PCS12T			PART NO. SMP-MSCM-PCS12T		DRAWING NO. SMP-MSCM-PCS12T		REV A	

REVISIONS				
REV	DESCRIPTION	DATE	ECN	APPR
A	RELEASE TO MFG.	29-JUN-20	15254	EH



载带卷料方向



- Notes:**
1. 10 sprocket hole pitch cumulative tolerance $\pm 0.20\text{mm}$
(每10个链轮齿孔径累计公差为 $\pm 0.20\text{mm}$)
 2. Carrier camber not to exceed 1mm in 250mm.
(传送料带弯曲变形度每250mm不超过1mm)
 3. A_0 and B_0 measured on a plane 0.3mm above the bottom of the pocket. (A_0 与 B_0 在同一平面测量且距口袋底部0.3mm)
 4. K_0 measured from a plane on the inside bottom of the pocket to the top surface of the carrier.
(K_0 为口袋底部与材料表面的平面距离。)
 5. All dimensions meet EIA-481-D requirements.
(所有尺寸符合EIA-481-D标准要求。)
 6. Material: Black Antistatic polystyrene.
(材料: 黑色防静电聚苯乙烯。)
 7. Thickness: $0.50 \pm 0.05 \text{ mm}$.
(厚度: 0.50 ± 0.05 毫米。)
 8. Packing length per 13" reel: 12.96Meters.
(每个13"卷轴包装长度为12.96米。)
 9. Component loader per 13" reel: 1000 pcs.
(每个13"卷轴可装1000个零件。)

技术要求:
 在没有保护膜的情况下, 0-90度往返折弯3次, 卷带不会破裂; 冷封带0.3~1.3N; 厚度及防静电要求需满足要求, 防静电性能使用寿命至少大于半年。载带侧壁支撑力2kgf以上。

ITEM	W	A_0	B_0	K_0	K_1	P_1	F	E	D_0	D_1	P_0	P_2	T
DIM	24 ± 0.3	6.36 ± 0.1	6.36 ± 0.1	4.8 ± 0.1		12.0 ± 0.1	11.5 ± 0.1	1.75 ± 0.1	$1.5^{+0.1}_{-0.0}$		4.0 ± 0.1	2.0 ± 0.1	0.5 ± 0.05

NOTICE: These drawings, specifications, or other data (1) are, and remain the property of Amphenol corp. (2) must be returned upon request; and (3) are confidential and not to be disclosed to any person other than those to whom they are given by Amphenol Corp. The furnishing of these drawings, specifications, or other data by Amphenol Corp., or to any other person to anyone for any purpose is not to be regarded by implication or otherwise in any manner licensing, granting rights to permitting such holder or any other person to manufacture, use or sell any product, process or design, patented or otherwise, that may in any way be related to or disclosed by said drawings, specifications, or other data.

UNLESS OTHERWISE SPECIFIED DIMENSIONS ARE METRIC (INCHES) AND TOLERANCES ARE:
 $< 0.5\text{mm} = \pm 0.05\text{mm}$ [$< 0.020 = \pm 0.002$]
 $> 0.5 - 6\text{mm} = \pm 0.1\text{mm}$ [$> 0.020 - 0.236 = \pm 0.004$]
 $> 6.00 - 30\text{mm} = \pm 0.2\text{mm}$ [$> 0.236 - 1.181 = \pm 0.008$]
 $> 30.00 - 120\text{mm} = \pm 0.3\text{mm}$ [$> 1.181 - 4.725 = \pm 0.012$]
 ANGLES = $\pm 1^\circ$

MATERIAL
 ENGINEER
 E. HILL

TITLE
 SMP SMOOTH BORE JACK SURFACE MOUNT CATCHER'S MITT
 SHEET NO. 3 OF 3

Amphenol RF
 DRAWING NO. SMP-MSCM-PCS12T
 ITEM NO. SMP-MSCM-PCS12T
 PART NO. SMP-MSCM-PCS12T
 REV
 A

THIRD ANGLE PROJ.

REFERENCE SMP-MSCM-PCS-11

EAR# 9644

DATE 06-APR-20

SCALE: 20.0:1.0