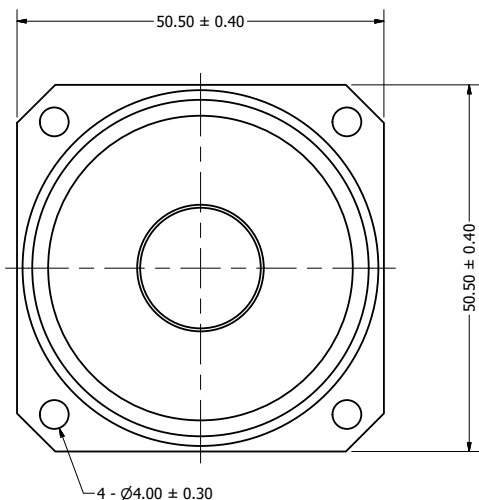
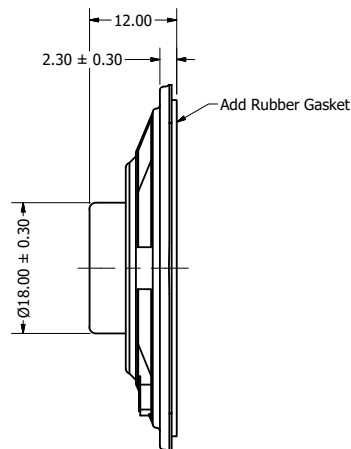


Part Number:	SM500808-1	
	DRAWN	5/17/2016
	CHECKED	5/25/2016
Description:	Dynamic Speaker	APPROVED
		J.S.
This document contains data proprietary to DB Unlimited. Any use or reproduction, in any form, without prior written permission of DB Unlimited is prohibited. All terms and conditions can be found at www.dbunlimitedco.com		

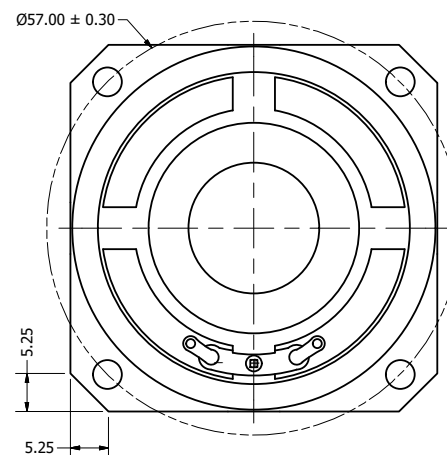
Top View



Side View



Bottom View



Items	Specifications	Conditions
Sound Pressure Level	105	dB (@ 10cm)
Resonant Frequency	800	Hz
Frequency Range	800 ~ 7,000	Hz
Nominal Power	1.5	W
Max. Power	3	W
Impedance	8	Ω
Cone Material	Mylar Material	
Mount Type	Metal	
Storage Temperature	-20 ~ +55	°C
Operating Temperature	-20 ~ +55	°C
Weight	17.6	g

REVISION HISTORY

REV	DESCRIPTION	DATE	APPROVED
	Released from Engineering	5/25/2016	J.S.

NOTES

- 1) All dimensions are in mm unless otherwise noted
- 2) All tolerances are ± 0.5 mm unless otherwise noted
- 3) All parts meet RoHS
- 4) Subject to change or redrawn without notice