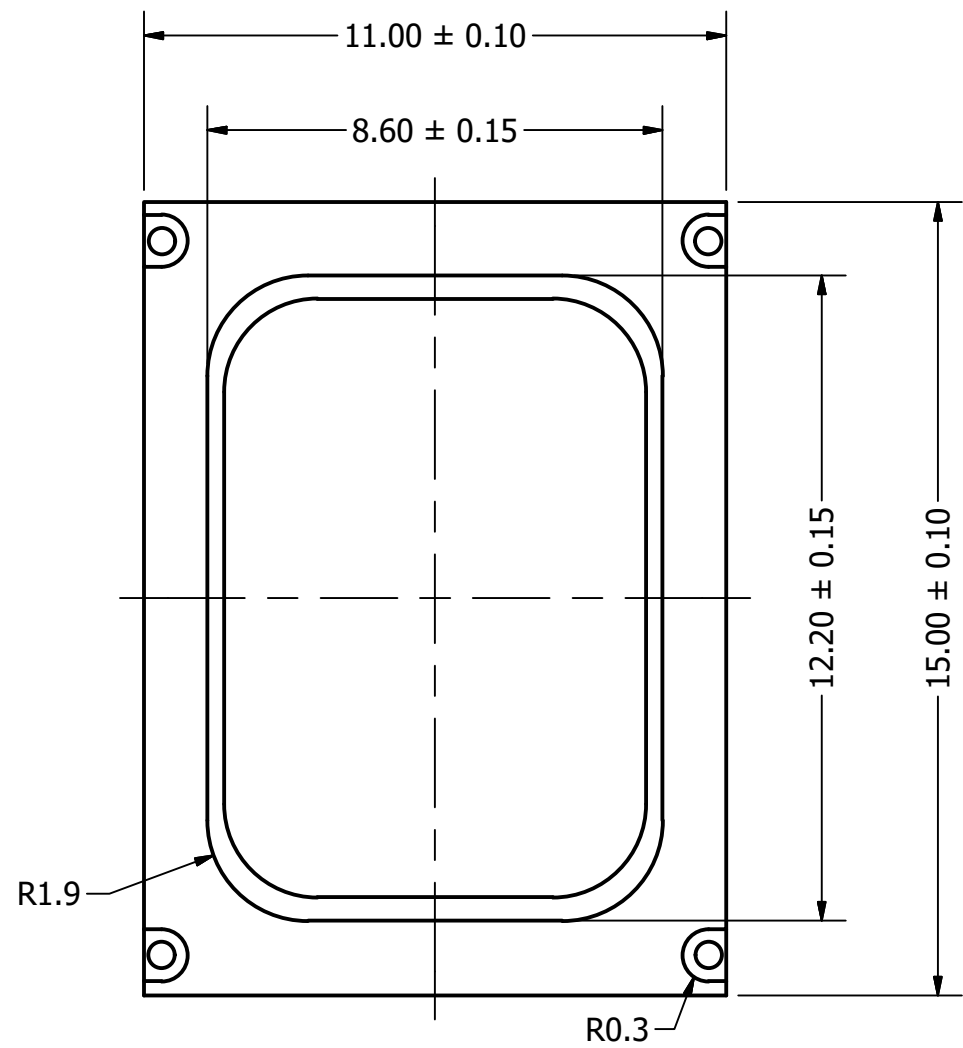
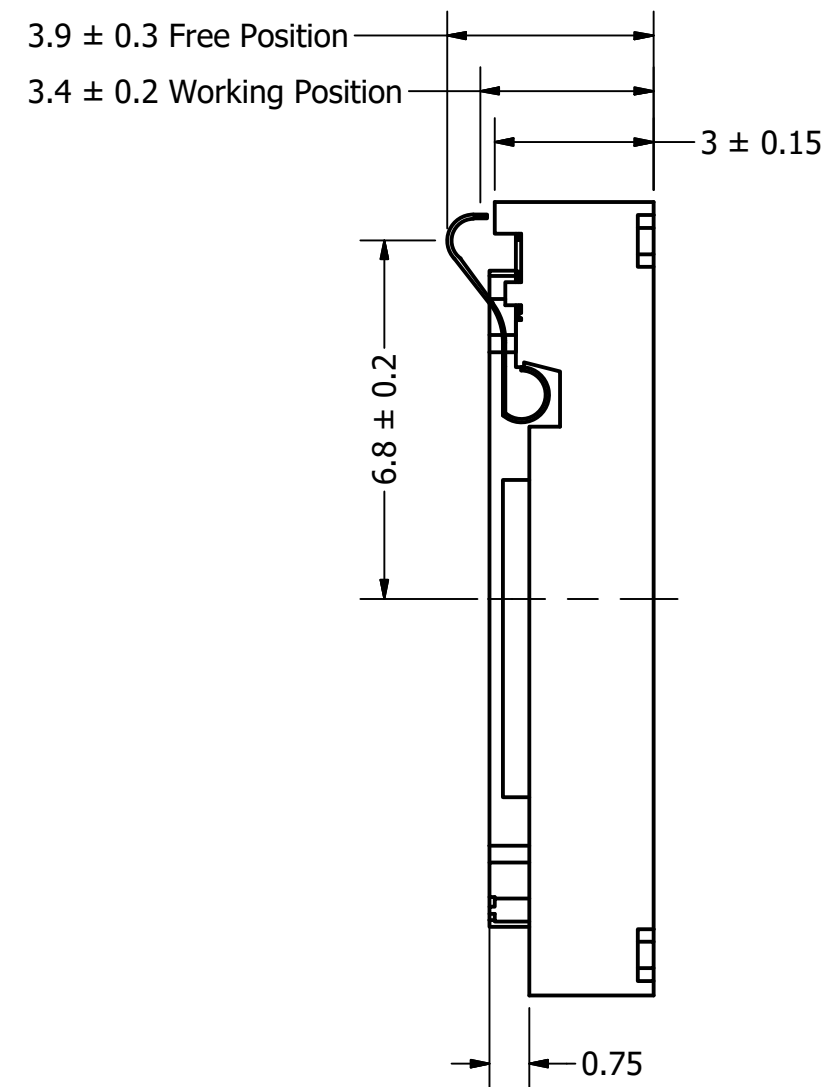


Part Number:	SM150506-3	
Description:	DRAWN	10/8/2015
	CJ	
Dynamic Speaker	CHECKED	10/8/2015
	P.D	
	APPROVED	10/8/2015
	J.S	
This document contains data proprietary to DB Unlimited. Any use or reproduction, in any form, without prior written permission of DB Unlimited is prohibited. All terms and conditions can be found at www.dbunlimitedco.com		

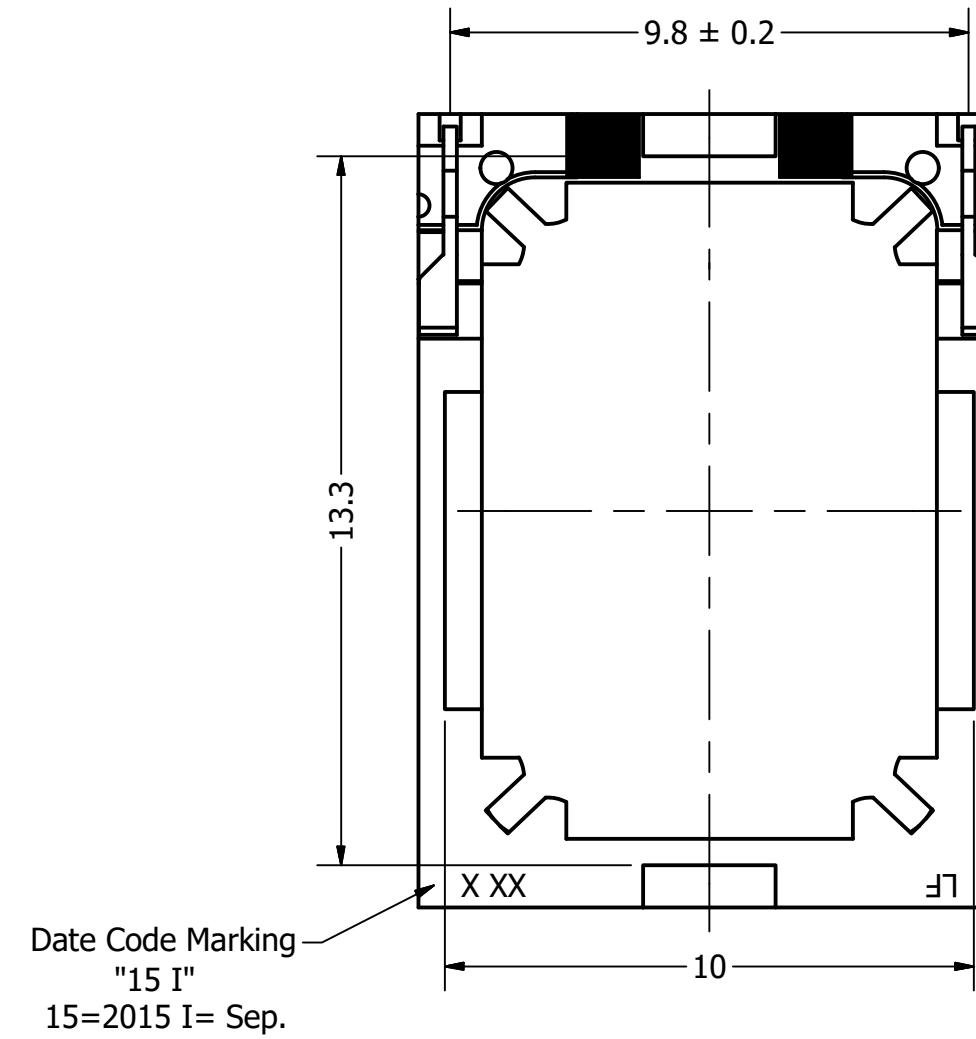
Top View



Side View



Bottom View



Items	Specifications	Conditions
Sound Pressure Level	92	± 3 dB (@ 10cm)
Resonant Frequency	500	± 20% Hz
Frequency Range	500 ~ 10,000	Hz
Nominal Power	0.7	W
Max. Power	1	W
Impedance	6	± 30% Ω
Cone Material	Mylar	
Mount Type	Flush Mount	
Storage Temperature	-40 ~ +85	°C
Operating Temperature	-40 ~ +85	°C
Weight	1.6	g

REVISION HISTORY

REV	DESCRIPTION	DATE	APPROVED
	Released from Engineering	10/8/2015	J.S.
1	Relocated Date Code Markings	1/11/2016	J.S.
2	Switched top view and bottom view	5/9/2017	C.E.
3	Update Operating Temp	3/15/2018	C.E.
4	Update Operating Temp	3/22/2018	C.E.

NOTES

- 1) All dimensions are in mm unless otherwise noted
- 2) All tolerances are ± 0.5 mm unless otherwise noted
- 3) All parts meet RoHS
- 4) Subject to change or redrawn without notice