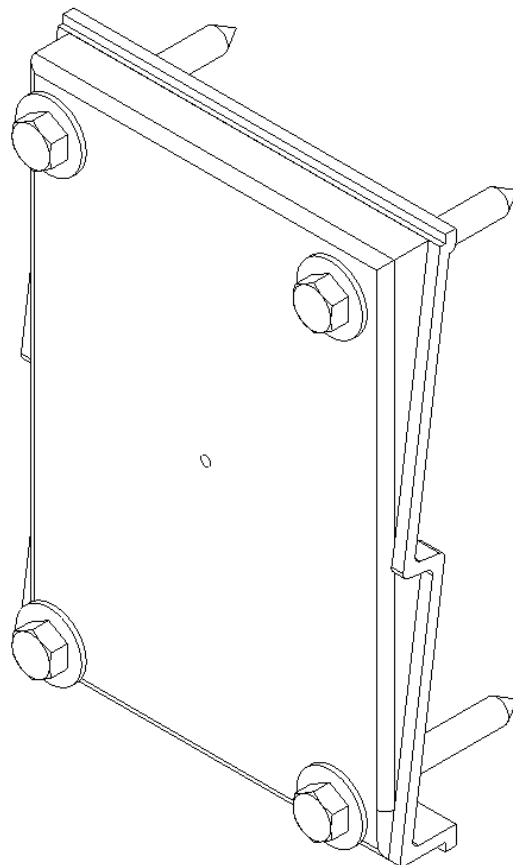


WMP

VIDEO MOUNT PRODUCTS

Instruction Sheet For:

SM-1



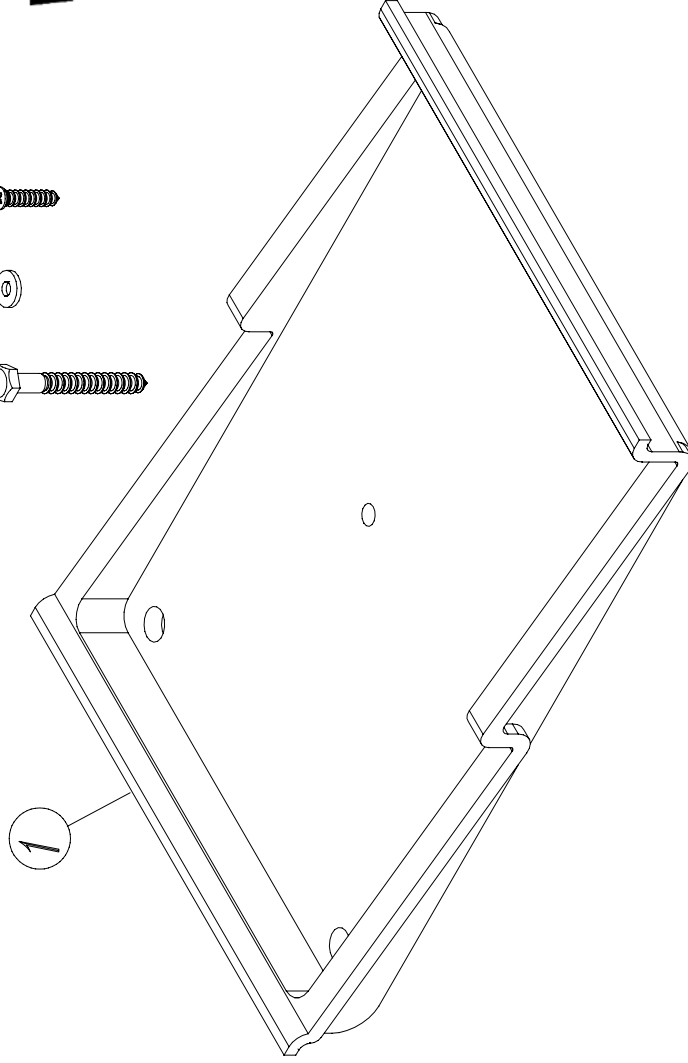
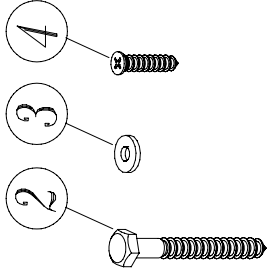
For more information, please contact us at:
345 Log Canoe Circle, Stevensville, Maryland 21666
Toll Free: 877.281.2169 Phone: 410.643.6390 Fax: 410.643.6615
www.videomount.com

VMP

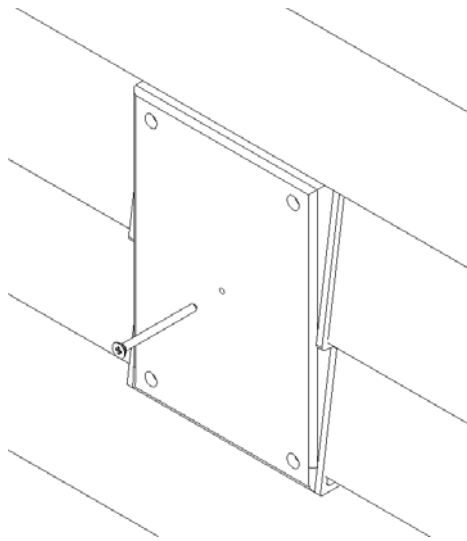
VIDEO MOUNT PRODUCTS

SM-1

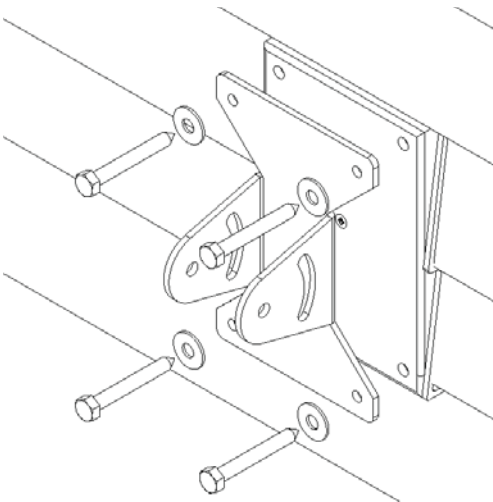
Siding Mount



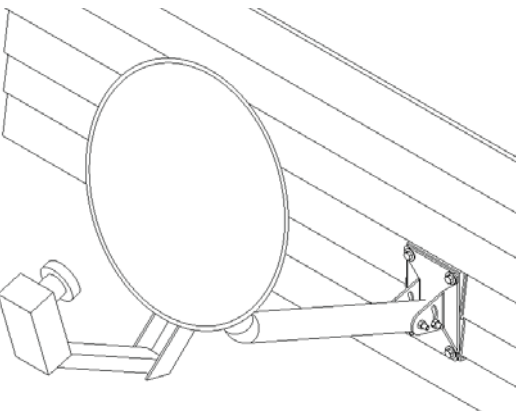
1	PLASTIC PLATE	1
2	WOOD SCREW $\phi 5/16"$ *L2-1/2"	4
3	WASHER $\phi 5/16"$ * $\phi 19$ *T1.6	4
4	WOOD SCREW $\phi 4.4$ *L50	1



Step 2: Attaching the mounting plate



Step 3: Securing the base plate to the mounting surface



Step 4: Attaching the rest of the satellite dish

Step 1

Before starting, lay out all parts to your mount and match them to the parts list provided. Verify that you have all your parts before attempting to assemble the mount. **Note: It is highly recommended that the installation of the mount be done by a professional.**

Step 2

Attach the mounting plate to the desired position on the siding and secure in place using the M4 countersink lag screw.

Step 3

Take the base plate of the satellite dish and match the holes in the plate to the holes in the four corners of the mounting plate. Mark holes in preparation of installation of the base plate and use the 2.5" long lag screws and washers to secure the base plate to the mounting surface. **Note: It is crucial to make sure the lags screws are secure into something solid behind the siding of the house. The siding alone WILL NOT support the combine weight of the dish and mount.**

Warning: Please verify that your mounting surface will support the combined weight of your mount, mounting hardware, and dish. Also verify that the mounting surface is safe to drill through. If in doubt, please contact a professional installer.

Step 4

Attach the remainder of the satellite dish to the satellite dish base using the hardware provided with the satellite dish.

Please verify that all nuts and screws are securely tightened.

VMP
VIDEO MOUNT PRODUCTS

Enjoy Your Mount!

WARNING: The installer of these products must verify that the mounting surface, ceiling or wall, will safely support the combined weight of all attached equipment and hardware. Video Mount Products will not be held liable for the improper use or installation of its products.