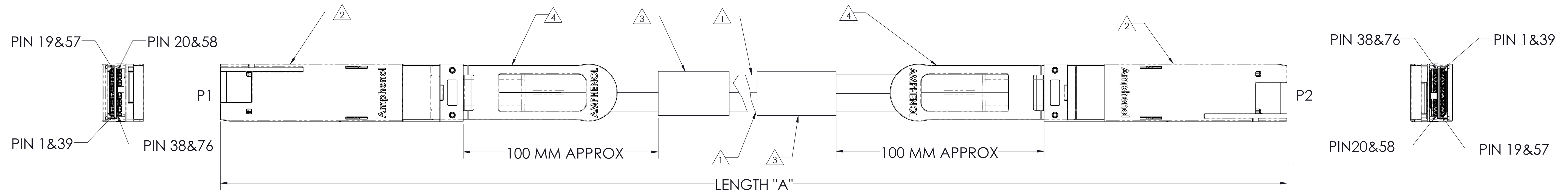


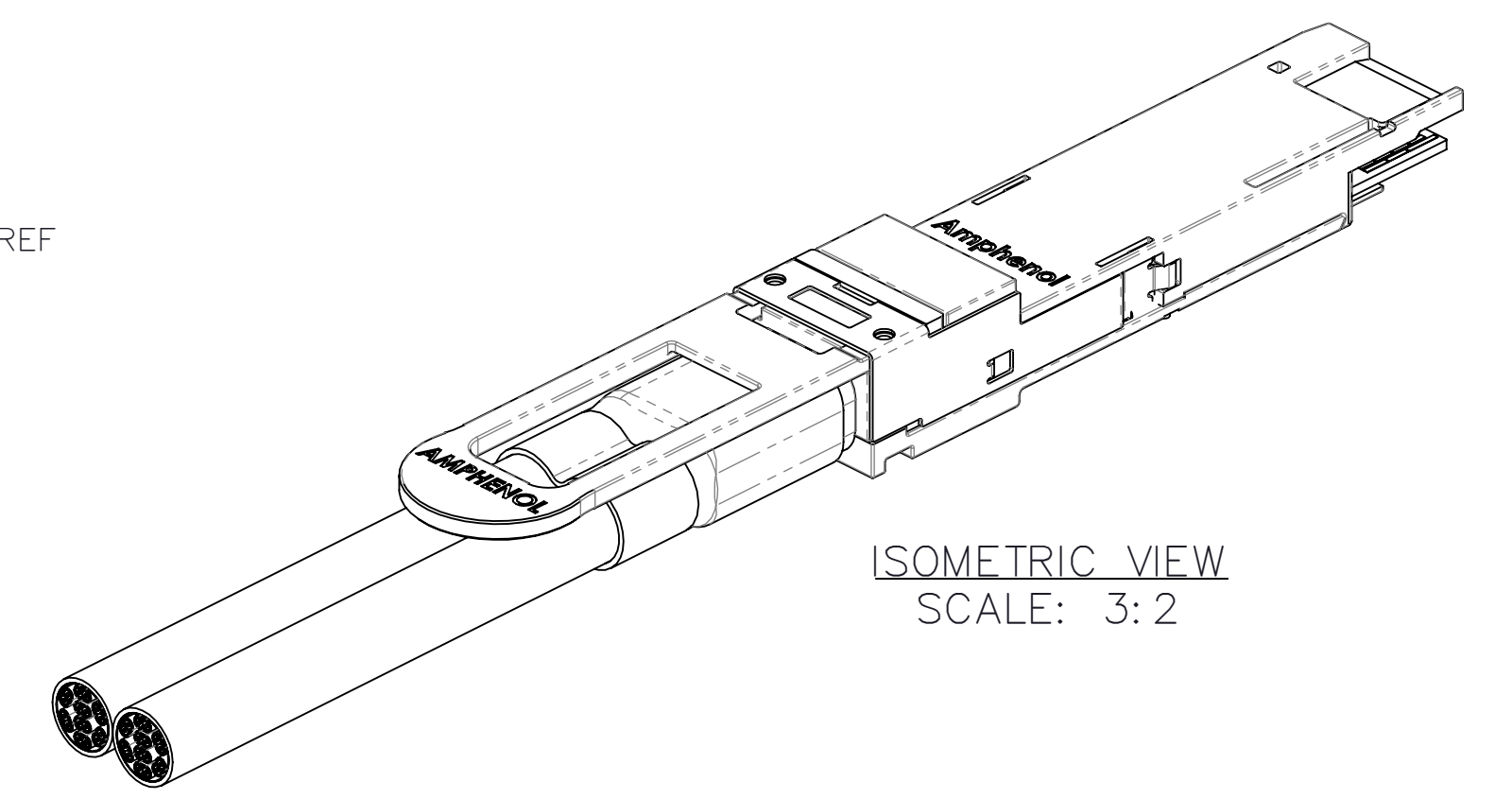
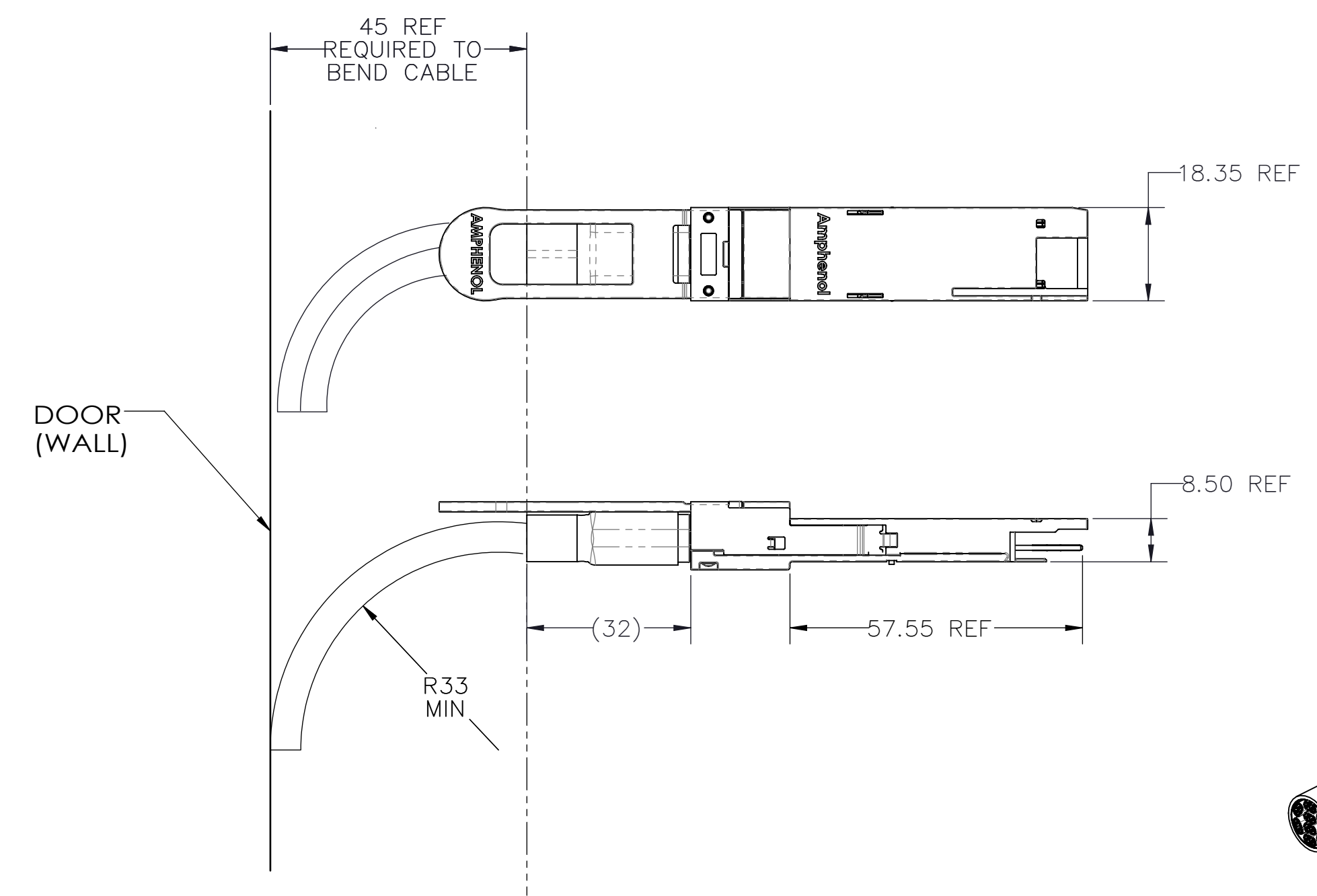
| TABLE 1 | | | |
|--------------|------------|-----------------------|-----------------------------|
| AHSP P/N | LENGTH "A" | ACD P/N | DESCRIPTION |
| NDYYYYH-C102 | 2000±40MM | SF-NDYYYYH0002-002M | QSFP-DD 27AWG PASSIVE, 2M |
| NDYYYYH-C105 | 2500±50MM | SF-NDYYYYH0005-002.5M | QSFP-DD 27AWG PASSIVE, 2.5M |

| REVISIONS | | | | | | |
|-----------|------|---------------|---|--------|------------|-----------|
| ZONE | REV. | ECN NUMBER | DESCRIPTION | BY | DATE | APPROVED |
| | B | MKHN-19060603 | REVISED CABLE P/N. | HCL-SH | 06/13/2019 | M.HUSSAIN |
| | C | RGAO-20121604 | ADDED ACD P/N COLUMN TO TABLE 1. ADDED CE STAMP TO SHEET 1. | N.ZENG | 12/17/2020 | A.LI |
| | D | RGAO-21020302 | ADDED DESCRIPTION COLUMN TO TABLE 1. | N.ZENG | 2/4/2021 | A.LI |

NOTE: ONLY THREE MOST RECENT RELEASED REVISIONS DISPLAYED

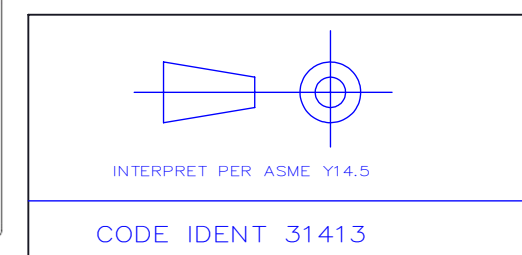
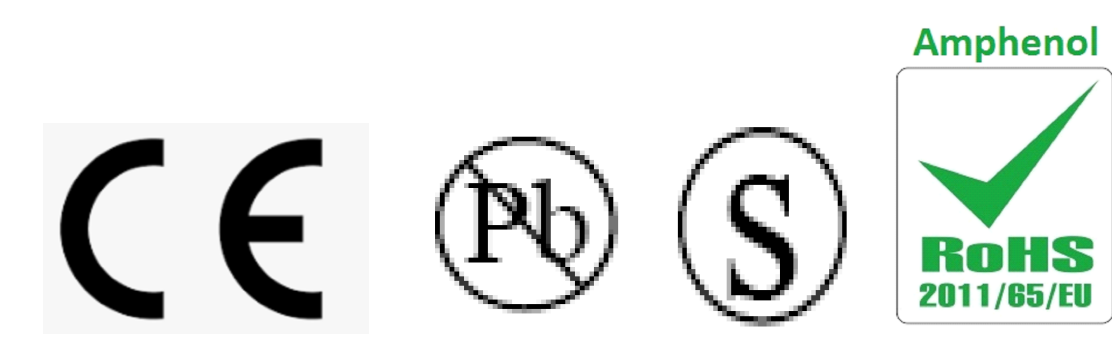


| TABLE 2 | |
|----------|---|
| ITEM No. | DESCRIPTION |
| 1 | 27 AWG, 8-PR, PVC JKT, AWM STYLE 20276 80°C |
| 2 | PLUG, QSFP-DD, REFERENCE "QSFP-DD MSA" |
| 3 | LABEL, WRAPPED - AHSP P/N, REV, DATE CODE, LENGTH, CoO, SERIAL NUMBER & WEEE LOGO AND CE LOGO |
| 4 | PULL TAB, BLUE 2718 |
| 5 | EPROM - REFERENCE SFF-8636, PAGE A0 ONLY |



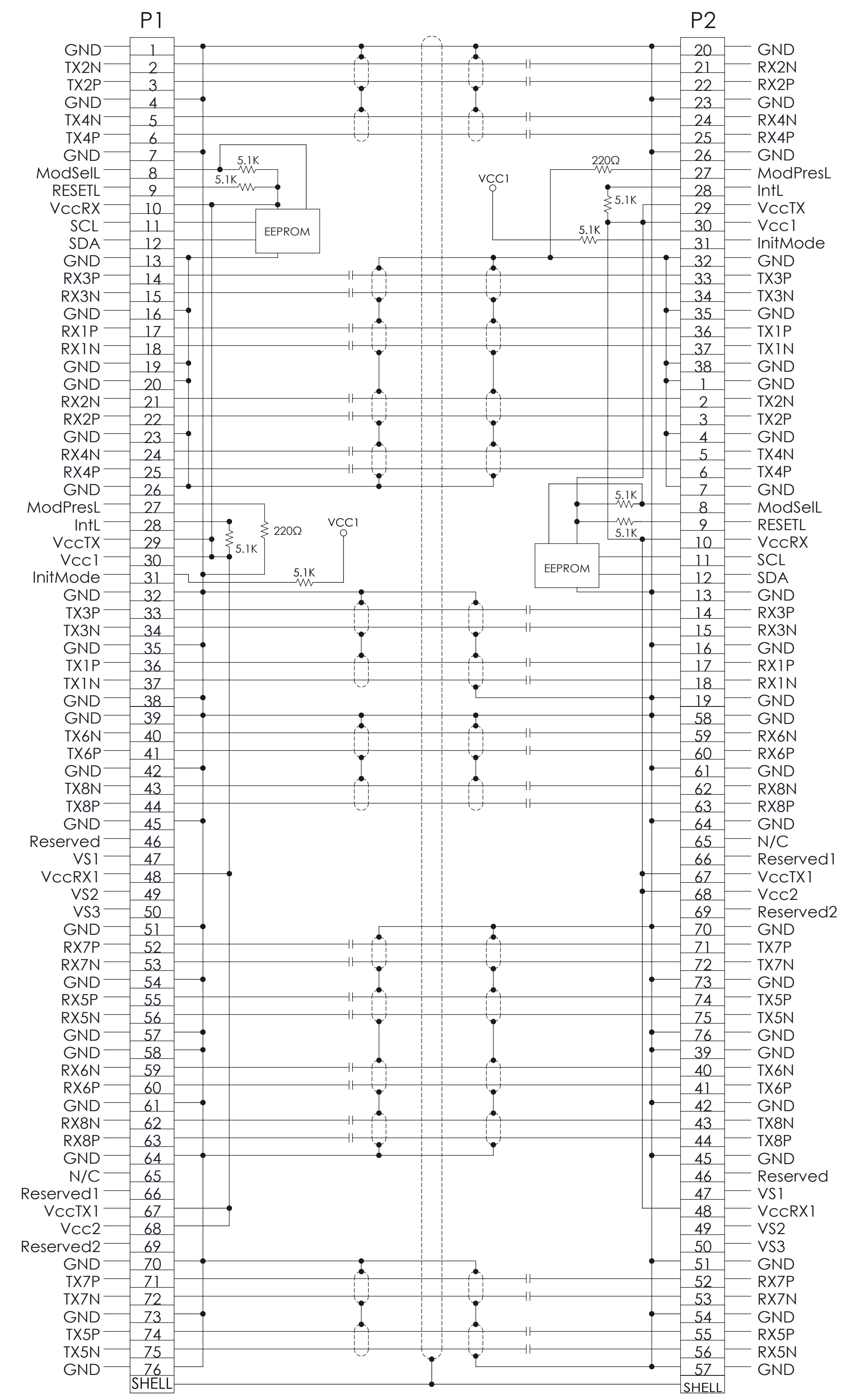
- NOTES:
- THIS DRAWING IS RESERVED FOR AMPHENOL CABLES ON DEMAND.
 - ASSEMBLIES SHALL BE COMPLIANT TO QSFP-DD MSA SPECIFICATION.
 - CABLE ASSEMBLIES, COMPONENTS AND SUB-COMPONENTS SHALL BE COMPLIANT TO EU DIRECTIVE 2011/65/EU-RoHS2.
 - CABLE ASSEMBLIES MUST MEET SHIELDING EFFECTIVENESS REQUIREMENTS OF 35DB MINIMUM FROM 1-10GHZ AND 30DB FROM 10-18 GHZ.
 - PACKAGE COMPLETED ASSY IN AN APPROPRIATELY SIZED ESD BAG.
 - UL LABEL MUST BE ON SHIPPING CARTON PER SUBJECT 764 OF THE UL COMPONENT WIRING HARNESS (ZPFW2) FILE #E86140. CSA LABEL MUST BE ON SHIPPING CARTON.

RADIUS FROM END OF DIECAST



| TOLERANCES | | DWG | 12/14/2018 | Amphenol AHSP | | | |
|---|--------|-------|------------|--|----------------|-----|-----|
| 0.0 | ± 0.1 | CHK | M.HUSSAIN | A Division of Amphenol Corporation | | | |
| 0.00 | ± 0.08 | | M.HUSSAIN | 200 Innovative Way, Suite 201, Nashua, N.H. 03062 (603) 879-3000 | | | |
| 0.000 | ± - | APVD | 12/14/2018 | TITLE | | | |
| ANGLES | ± 1.0° | | M.HUSSAIN | CABLE ASSY, QSFP-DD PASSIVE, 100Ω, DUAL-ENTRY 27 AWG | | | |
| UNLESS OTHERWISE SPECIFIED DIMENSIONS ARE IN MM | | | | PART NO. | SEE TABLE 1 | REV | N/A |
| CUSTOMER USE DRAWING | | | | DRAWING NO. | C-NDYYYYH-C199 | REV | D |
| SIZE | D | SCALE | 2:1 | SHEET | 1 | OF | 2 |

| REVISIONS | | | | | | |
|-----------|------|------------|-------------|----|------|----------|
| ZONE | REV. | ECN NUMBER | DESCRIPTION | BY | DATE | APPROVED |
| | | | SEE SHEET 1 | | | |



NOTE: DC BLOCKING CAP VALUE IS 100nF

| | | | | |
|--|--------|------|------------|--|
| TOLERANCES | | DWN | 12/14/2018 | Amphenol AHSP A Division of Amphenol Corporation 200 Innovative Way, Suite 201, Nashua, N.H. 03062 (603) 879-3000 TITLE CABLE ASSY, QSFP-DD PASSIVE, 100Ω, DUAL-ENTRY 27 AWG |
| 0.0 | ± 0.1 | CHK | M.HUSSAIN | |
| 0.00 | ± 0.08 | | M.HUSSAIN | |
| 0.000 | ± - | APVD | 12/14/2018 | |
| ANGLES | ± 1.0° | | M.HUSSAIN | |
| UNLESS OTHERWISE SPECIFIED DIMENSIONS ARE IN MM | | | | PART NO. SEE TABLE 1 REV N/A DRAWING NO. C-NDYYYYH-C199 REV D SIZE D SCALE 1:1 SHEET 2 of 2 |

