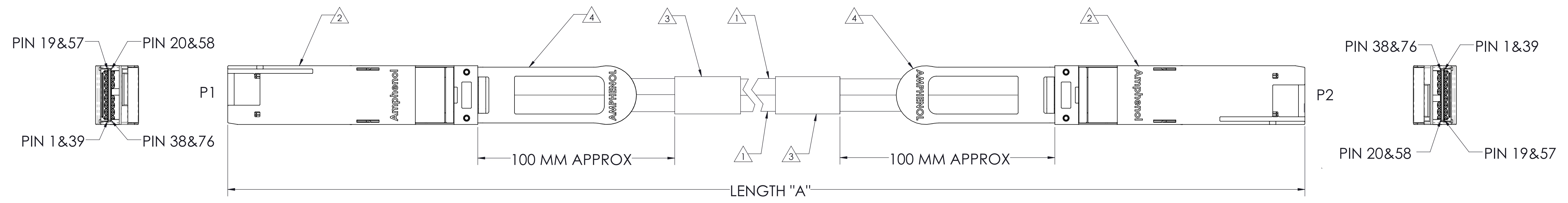
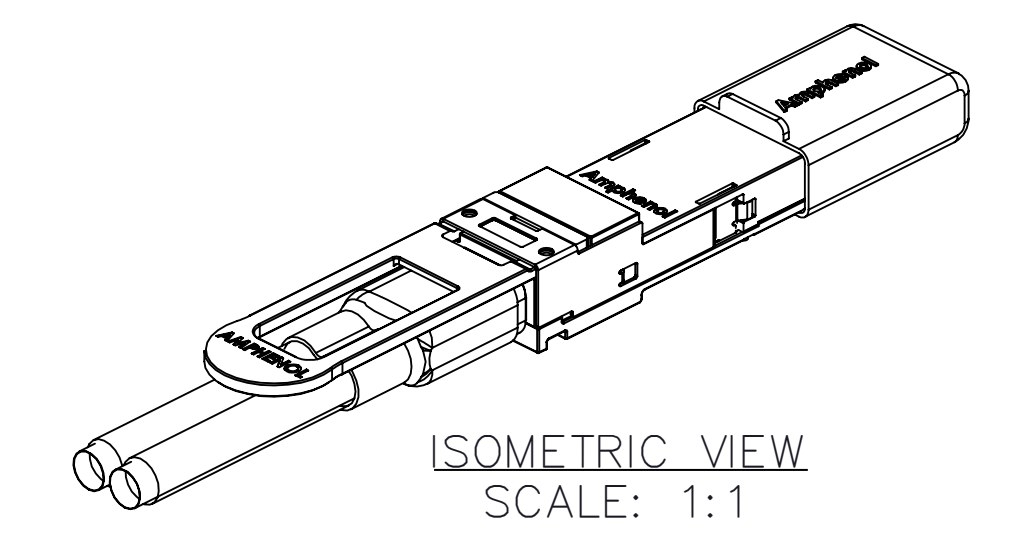
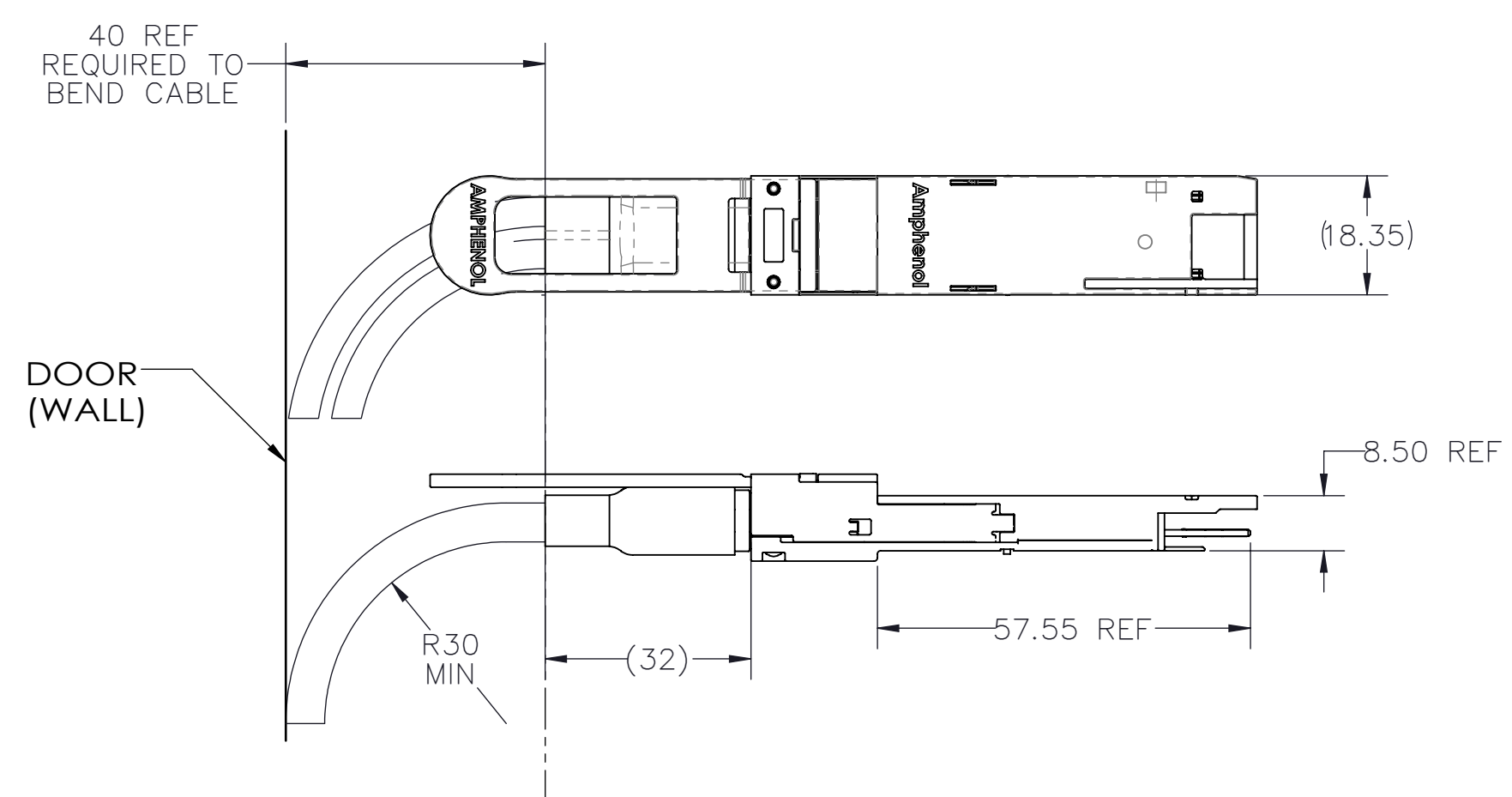


| TABLE 1      |            |                       |                             |
|--------------|------------|-----------------------|-----------------------------|
| AHSP P/N     | LENGTH "A" | ACD P/N               | DESCRIPTION                 |
| NDYYYYF-C101 | 1000±20MM  | SF-NDYYYYF0001-001M   | QSFP-DD 30AWG PASSIVE, 1M   |
| NDYYYYF-C104 | 1500±30MM  | SF-NDYYYYF0004-001.5M | QSFP-DD 30AWG PASSIVE, 1.5M |

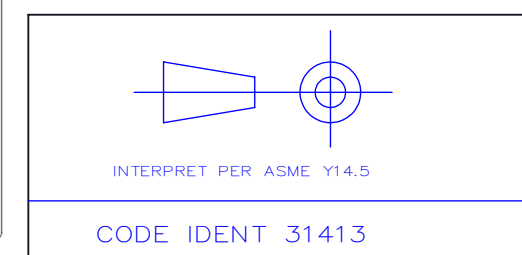
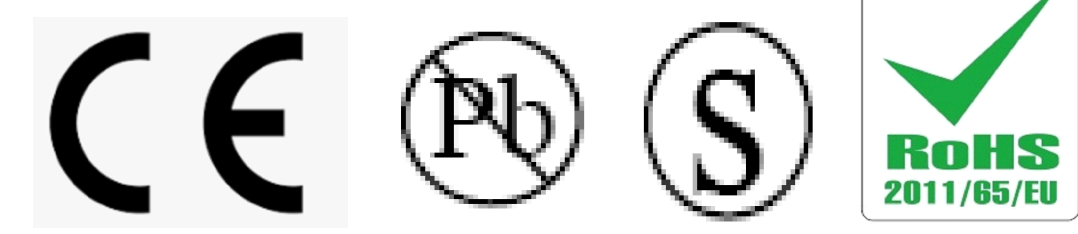
| REVISIONS |      |               |   |        |            |           |
|-----------|------|---------------|---|--------|------------|-----------|
| ZONE      | REV. | ECN           | DESCRIPTION   | BY     | DATE       | APPROVED  |
| ALL       | A    | MKHN-18121402 | NEW RELEASE   | HCL-PB | 01/03/2019 | M.HUSSAIN |
|           | B    | RGA0-20121604 | ADDED ACD P/N COLUMN TO TABLE 1. ADDED CE STAMP TO SHEET 1. ADDED REFERENCE DIMENSION TO BENDING RADIUS | N.ZENG | 12/17/2020 | A.LI      |
|           | C    | RGA0-21020302 | ADDED DESCRIPTION COLUMN TO TABLE 1.  | N.ZENG | 2/4/2021   | A.LI      |



| TABLE 2  |   |
|----------|---|
| ITEM No. | DESCRIPTION   |
| 1        | 30 AWG, 8-PR, SPLITTER, PVC JKT, VW1  |
| 2        | PLUG, QSFP-DD, REFERENCE "QSFP-DD MSA"  |
| 3        | LABEL, WRAPPED - AHSP P/N, REV, DATE CODE, LENGTH, CoO, SERIAL NUMBER & WEEE LOGO AND CE LOGO |
| 4        | PULL TAB, BLUE 2718   |
| 5        | EPROM - REFERENCE SFF-8636, PAGE A0 ONLY  |



- NOTES:
- THIS DRAWING IS RESERVED FOR AMPHENOL CABLES ON DEMAND.
  - ASSEMBLIES SHALL BE COMPLIANT TO QSFP-DD MSA SPECIFICATION.
  - CABLE ASSEMBLIES, COMPONENTS AND SUB-COMPONENTS SHALL BE COMPLIANT TO EU DIRECTIVE 2011/65/EU-RoHS2.
  - CABLE ASSEMBLIES MUST MEET SHIELDING EFFECTIVENESS REQUIREMENTS OF 35DB MINIMUM FROM 1-10GHZ AND 30DB FROM 10-18 GHZ.
  - PACKAGE COMPLETED ASSY IN AN APPROPRIATELY SIZED ESD BAG.
  - UL LABEL MUST BE ON SHIPPING CARTON PER SUBJECT 764 OF THE UL COMPONENT WIRING HARNESS (ZPFW2) FILE #E86140. CSA LABEL MUST BE ON SHIPPING CARTON.



|   |                      |  |
|---|----------------------|--|
| TOLERANCES                                      | DWN 12/14/2018       | <b>Amphenol AHSP</b><br>A Division of Amphenol Corporation<br>200 Innovative Way, Suite 201, Nashua, N.H. 03062 (603) 879-3000 |
| 0.0 ± 0.1                                       | M.HUSSAIN 12/14/2018 |  |
| 0.00 ± 0.08                                     | M.HUSSAIN 12/14/2018 |  |
| 0.000 ± -                                       | APVD 12/14/2018      |  |
| ANGLES ± 1.0°                                   | M.HUSSAIN 12/14/2018 |  |
| UNLESS OTHERWISE SPECIFIED DIMENSIONS ARE IN MM |                      | TITLE  |
|   |                      | CABLE ASSY, QSFP-DD PASSIVE, 100Ω, DUAL-ENTRY 30 AWG   |
|   |                      | PART NO. SEE TABLE 1   |
|   |                      | REV. N/A   |
|   |                      | DRAWING NO. C-NDYYYYF-C199   |
|   |                      | REV. C   |
| SIZE D  | SCALE 2:1            | SHEET 1 of 2   |

8

7

6

5

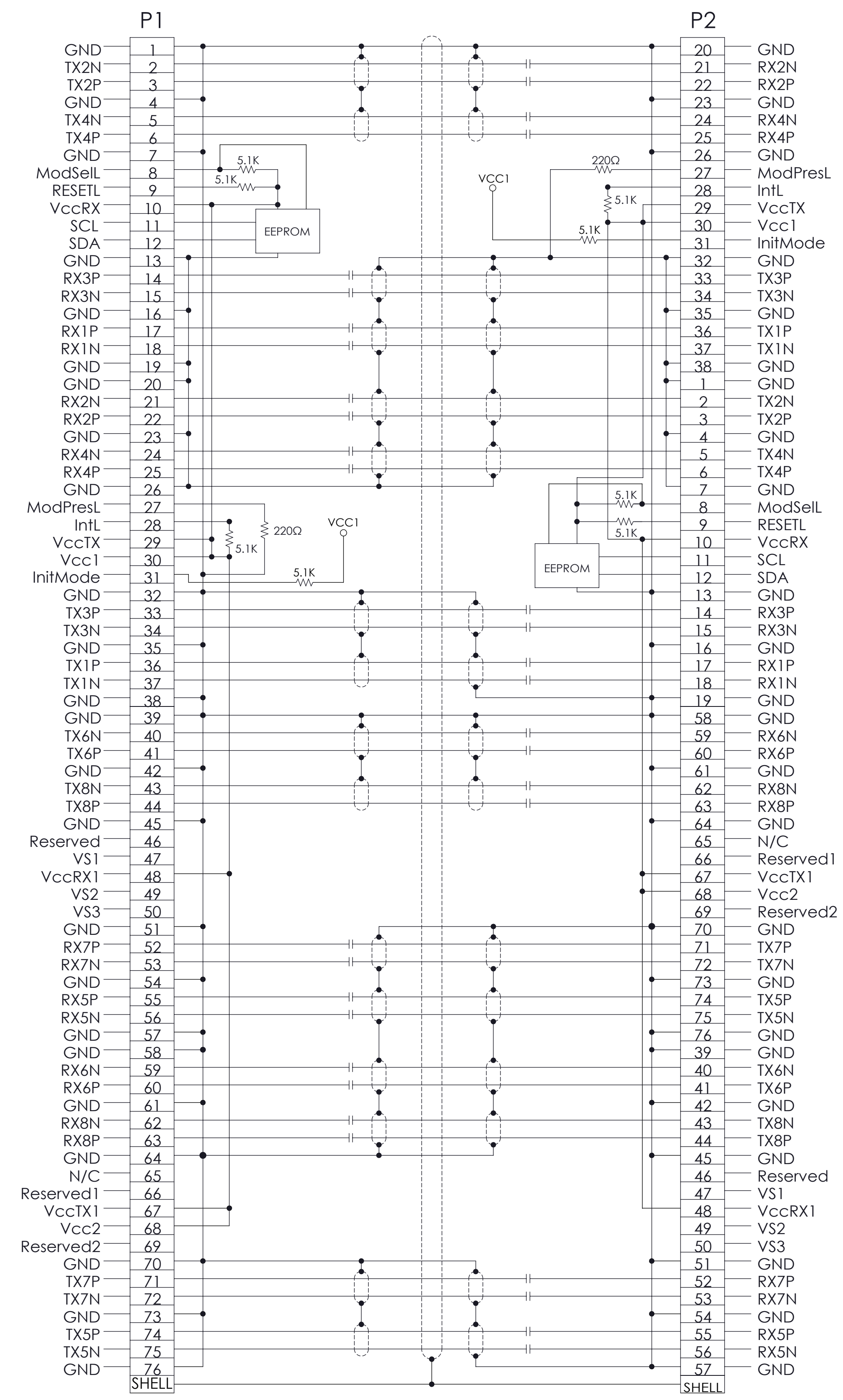
4

3

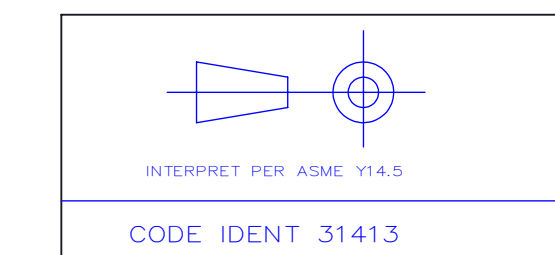
2

|         |                |    |   |     |   |
|---------|----------------|----|---|-----|---|
| DWG NO. | C-NDYYYYF-C199 | SH | 2 | REV | C |
|---------|----------------|----|---|-----|---|

| REVISIONS |      |     |             |    |      |          |
|-----------|------|-----|-------------|----|------|----------|
| ZONE      | REV. | ECN | DESCRIPTION | BY | DATE | APPROVED |
|           |      |     | SEE SHEET 1 |    |      |          |



NOTE: DC BLOCKING CAP VALUE IS 100nF



|   |        |       |            |  |   |     |
|---|--------|-------|------------|--|---|-----|
| TOLERANCES                                      |        | DWN   | 12/14/2018 | <b>Amphenol AHSP</b><br>A Division of Amphenol Corporation<br>200 Innovative Way, Suite 201, Nashua, N.H. 03062 (603) 879-3000 | <b>CABLE ASSY, QSFP-DD PASSIVE, 100Ω, DUAL-ENTRY 30 AWG</b> |     |
| 0.0   | ± 0.1  | CHK   | M.HUSSAIN  |  |   |     |
| 0.00  | ± 0.08 |       | M.HUSSAIN  |  |   |     |
| 0.000   | ± -    | APVD  | 12/14/2018 |  |   |     |
| ANGLES  | ± 1.0° |       | M.HUSSAIN  |  |   |     |
| UNLESS OTHERWISE SPECIFIED DIMENSIONS ARE IN MM |        |       |            |  |   |     |
| PART NO.  |        |       |            | SEE TABLE 1  | REV   | N/A |
| DRAWING NO.                                     |        |       |            | C-NDYYYYF-C199   | REV   | C   |
| SIZE  | D      | SCALE | 1:1        | SHEET 2 of 2   |   |     |