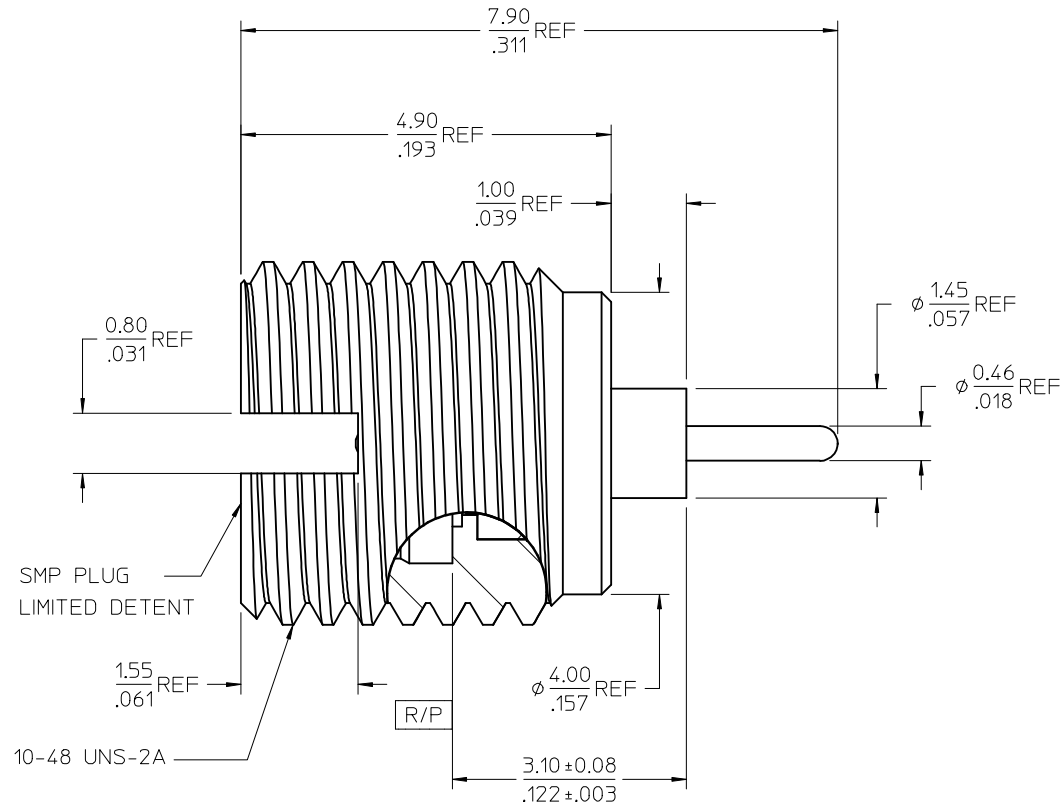
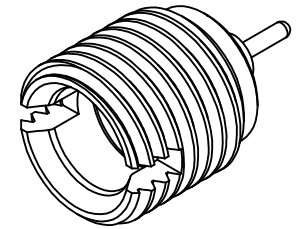


MATERIALS AND FINISHES:

BODY: STAINLESS STEEL
 PLATED: PASSIVATED

CENTER CONTACT: BERYLLIUM COPPER
 PLATED: GOLD (50μ-in MIN)
 OVER NICKEL (100μ-in MIN)

INSULATOR: PTFE



PART # 73415-5560

PS-89675-3320		PRODUCT SPECIFICATION	CHG: ADD DIMENSION 3.10/.122 IN D7 ZONE UPD MATERIALS AND FINISHES NOTE. EC NO: URF2017-0403 DRWIN:APRAKASHO1 2017/06/08 CHKD:888 2017/06/08 APPR:AROBERTSON 2017/06/29	QUALITY SYMBOLS ▽=0 ▽=0 ▽=0	GENERAL TOLERANCES (UNLESS SPECIFIED)		DIMENSION STYLE MM/IN		SCALE	DESIGN UNITS METRIC	THIRD ANGLE PROJECTION
MIL-STD-348B, FIG. 326.3		INTERFACE SMP LD			4 PLACES ± --- ± --- 3 PLACES ± --- ± .010 2 PLACES ± 0.25 ± --- 1 PLACE ± --- ± --- 0 PLACE ± --- ± ---	mm INCH ± --- ± --- ± .010 ± --- ± --- ± --- ± ---	DRAWN BY DATE SSS 2005/04/19 CHECKED BY DATE TEF 2005/04/19 APPROVED BY DATE JDW 2005/04/19	TITLE SMP PLUG, THREAD IN 50 OHMS, EWR2901 LIMITED DET SMP-P/PCB			
SPECIFICATION		DESCRIPTION			ANGULAR ± 2 °		MATERIAL NO. 734155560	DOCUMENT NO. SD-73415-556	SHEET NO. 1 OF 1	THIS DRAWING CONTAINS INFORMATION THAT IS PROPRIETARY TO MOLEX INCORPORATED AND SHOULD NOT BE USED WITHOUT WRITTEN PERMISSION	