

MATERIALS AND FINISHES

BODY BRASS OR ZINC ALLOY
PLATED TIN

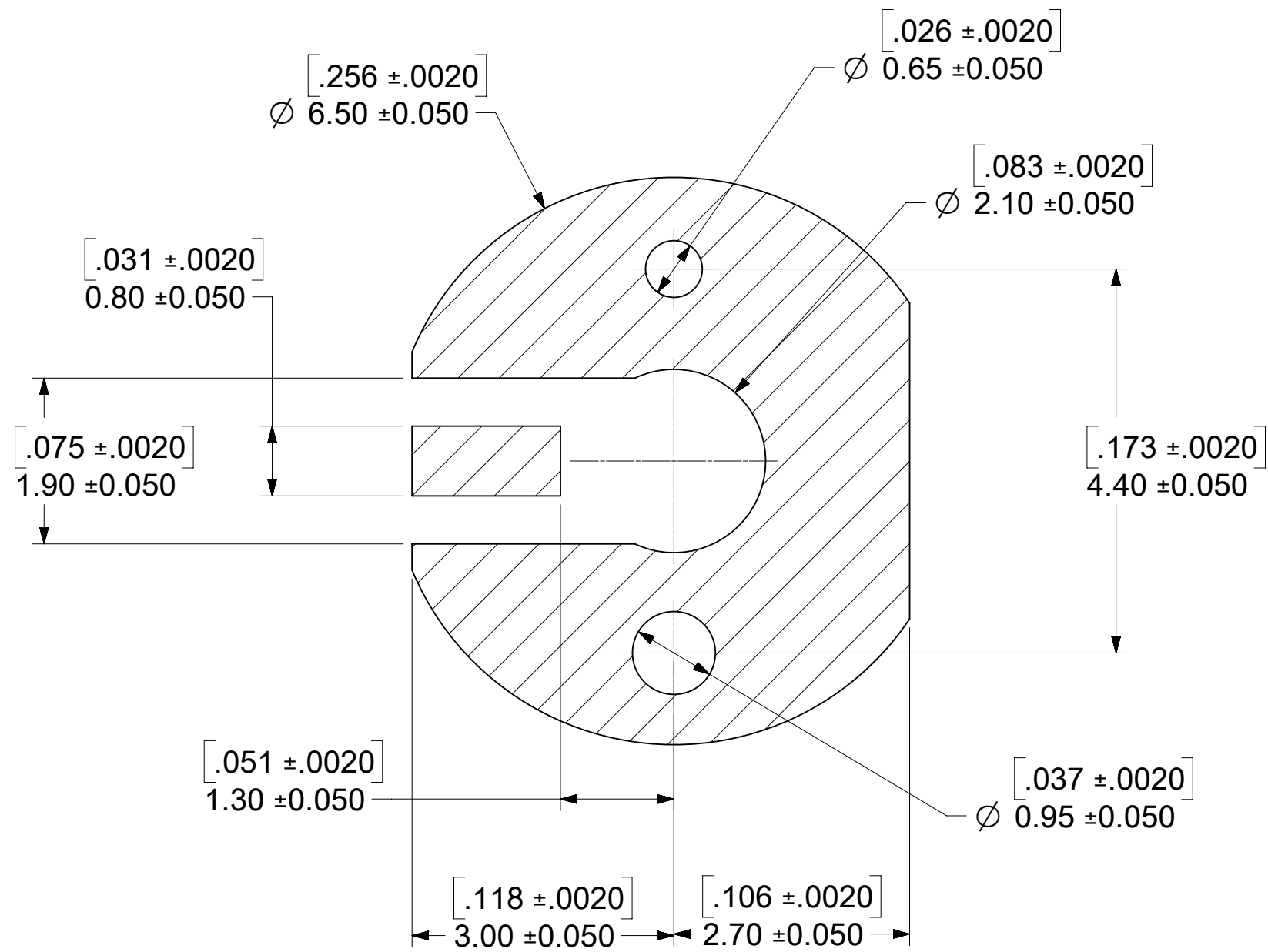
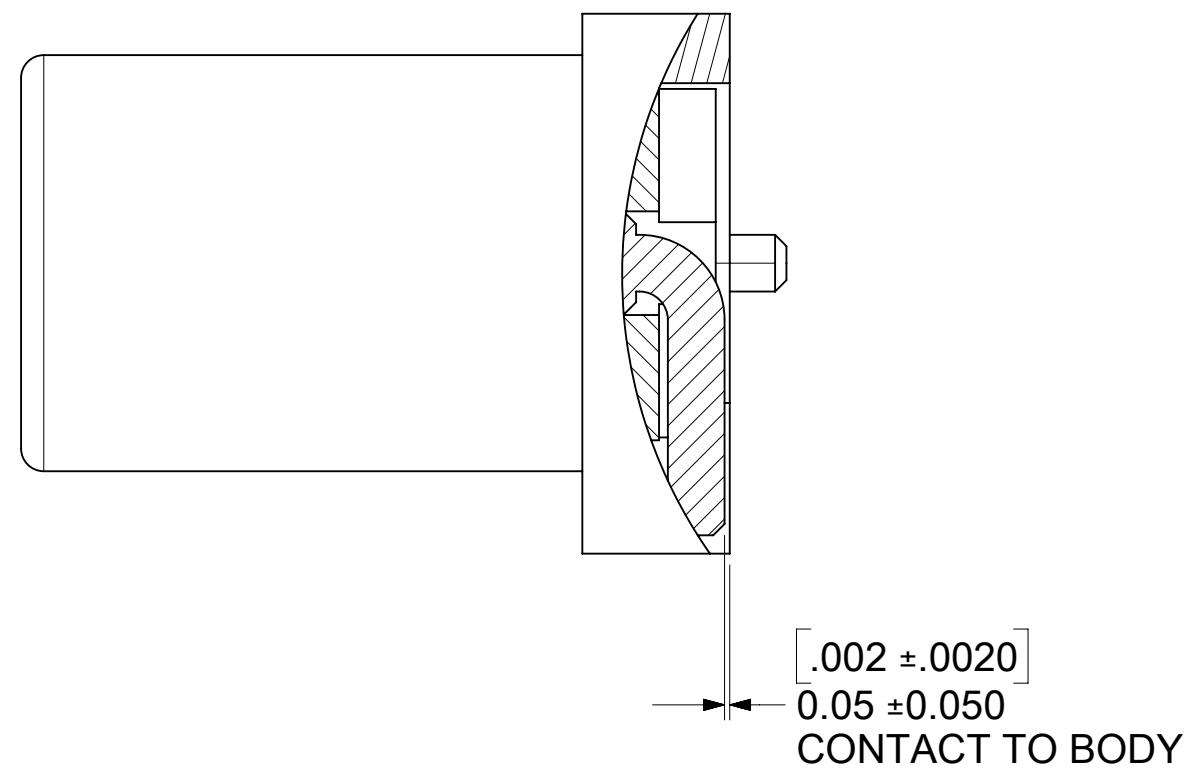
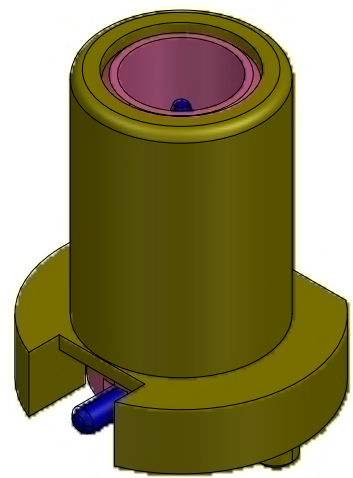
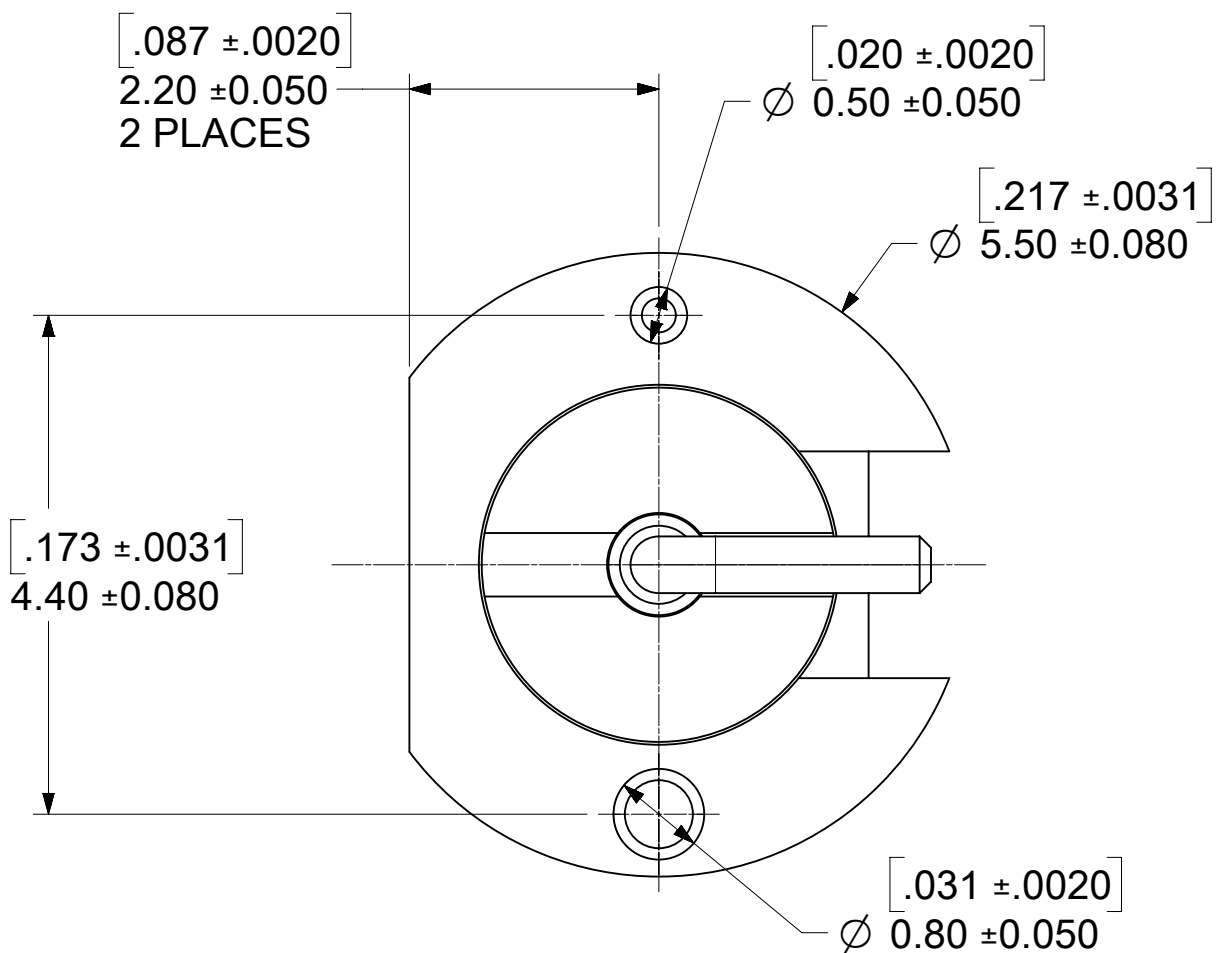
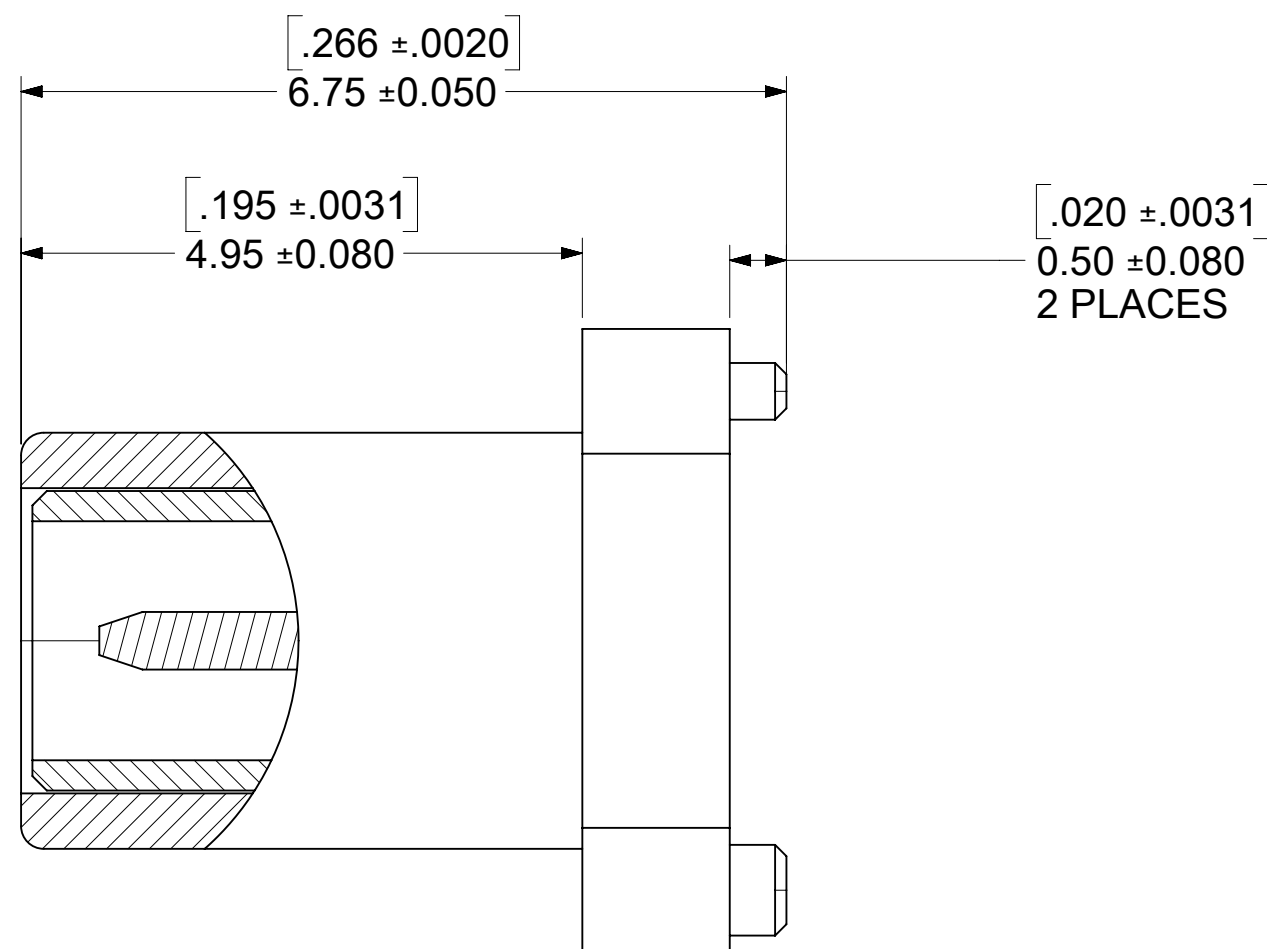
CENTER CONTACT BRASS
PLATED GOLD

INSULATOR TEFLON

PACKAGE BY TRAY (895420040)

PRODUCT SPECIFICATION:

- 1. VSWR: 1.22 MAX. @ 4GHz
- 2. INSERTION LOSS: 0.2dB MAX. @ 4GHz



RECOMMENDED PCB MOUNTING HOLE

THIS DRAWING CONTAINS INFORMATION THAT IS PROPRIETARY TO MOLEX ELECTRONIC TECHNOLOGIES, LLC AND SHOULD NOT BE USED WITHOUT WRITTEN PERMISSION																													
DIMENSION UNITS	SCALE	CURRENT REV DESC: ADDED DIM. PER EWR # 11706-C																											
HYBRID	NTS	<table border="1"> <tr> <td colspan="4" style="text-align: center;">molex</td> </tr> <tr> <td colspan="4" style="text-align: center;">SMB JACK VERTICAL PCB TYPE SMB-J</td> </tr> <tr> <td colspan="4" style="text-align: center;">PRODUCT CUSTOMER DRAWING</td> </tr> <tr> <td>DOCUMENT NUMBER</td> <td>DOC TYPE</td> <td>DOC PART</td> <td>REVISION</td> </tr> <tr> <td style="text-align: center;">SD-73404-646</td> <td style="text-align: center;">PSD</td> <td style="text-align: center;">001</td> <td style="text-align: center;">A2</td> </tr> </table>								molex				SMB JACK VERTICAL PCB TYPE SMB-J				PRODUCT CUSTOMER DRAWING				DOCUMENT NUMBER	DOC TYPE	DOC PART	REVISION	SD-73404-646	PSD	001	A2
molex																													
SMB JACK VERTICAL PCB TYPE SMB-J																													
PRODUCT CUSTOMER DRAWING																													
DOCUMENT NUMBER	DOC TYPE									DOC PART	REVISION																		
SD-73404-646	PSD	001	A2																										
GENERAL TOLERANCES (UNLESS SPECIFIED)																													
ANGULAR TOL	± 2.0°																												
4 PLACES	±																												
3 PLACES	±																												
2 PLACES	±																												
1 PLACE	±																												
0 PLACES	±																												
EC NO: 690303		DRWN: ELIN		2021/12/14		CHK'D: YCHENG		2021/12/27																					
APPR: YCHENG		2021/12/27		INITIAL REVISION:		DRWN: ELIN		2016/07/01																					
APPR: YCHENG		2017/12/05		DRAFT WHERE APPLICABLE MUST REMAIN WITHIN DIMENSIONS		THIRD ANGLE PROJECTION		DRAWING SERIES																					
		C-SIZE		73404		MATERIAL NUMBER		CUSTOMER																					
						734046460		GENERAL MARKET																					
								SHEET NUMBER																					
								1 OF 1																					

PS-89675-354	PRODUCT SPEC.
SPECIFICATION	DESCRIPTION

DOCUMENT STATUS	P1	RELEASE DATE	2021/12/27	08:52:12
-----------------	----	--------------	------------	----------