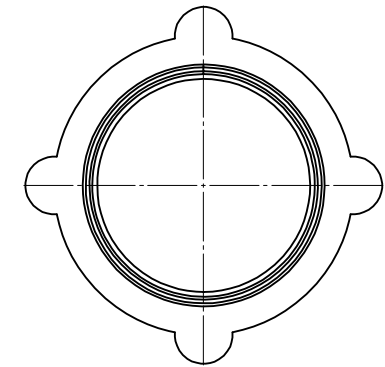
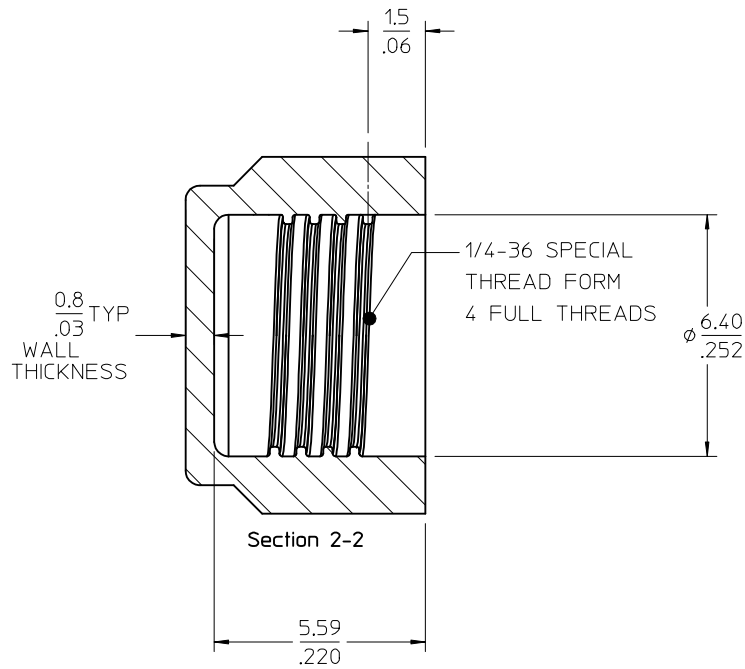
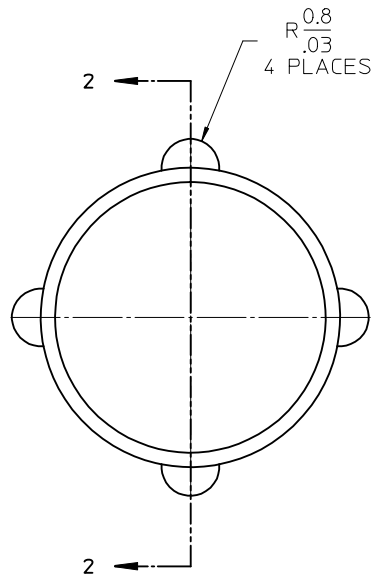
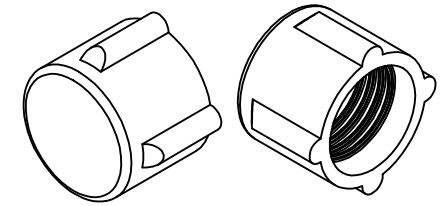


MATERIALS AND FINISHES

CAP: LOW DENSITY POLYETHYLENE (BLACK)



PART # 73251-9400

CHG: RELEASE  
DRAWING.

EC NO: URF2015-0009  
DRAWN: AROBERTSON 2014/07/08  
CHKD: SSS 2014/07/08  
APPR: WSP INK 2014/07/10

REV	DESCRIPTION	QUALITY SYMBOLS
A		▽=0
		▽=0
		▽=0

GENERAL TOLERANCES (UNLESS SPECIFIED)	
mm	INCH
4 PLACES ± .010	± .0004
3 PLACES ± .010	± .0004
2 PLACES ± .010	± .0004
1 PLACE ± .010	± .0004
0 PLACE ± .010	± .0004
ANGULAR ± 2°	
DRAFT WHERE APPLICABLE MUST REMAIN WITHIN DIMENSIONS	

DIMENSION STYLE	
MM/IN	
DRAWN BY	DATE
AROBERTSON	2014/07/08
CHECKED BY	DATE
SSS	2014/07/08
APPROVED BY	DATE
WSP INK	2014/07/10
MATERIAL NO.	
732519400	

SCALE	DESIGN UNITS	THIRD ANGLE PROJECTION
INCH	INCH	☉
TITLE		
DUST CAP FOR SMA JACK (BLACK) SMA-M, EWR-5418		
<b>molex</b>		
DOCUMENT NO.		SHEET NO.
SD-73251-940		1 OF 1
THIS DRAWING CONTAINS INFORMATION THAT IS PROPRIETARY TO MOLEX INCORPORATED AND SHOULD NOT BE USED WITHOUT WRITTEN PERMISSION		