

MATERIALS AND FINISHES:

BODY, JAM NUT: BRASS
FINISH: SEE TABLE

CENTER CONTACT: BERYLLIUM COPPER
PLATED GOLD

INSULATOR: TEFLON

LOCK WASHER: PHOSPHOR BRONZE
FINISH: SEE TABLE

PACKAGING: SEE TABLE

ELECTRICAL REQUIREMENTS:

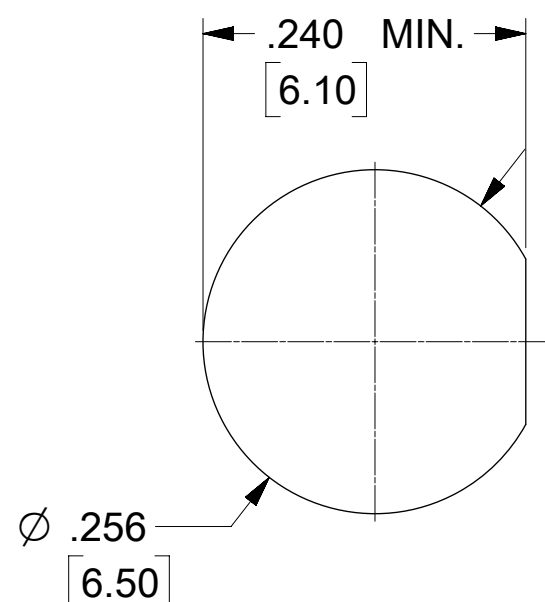
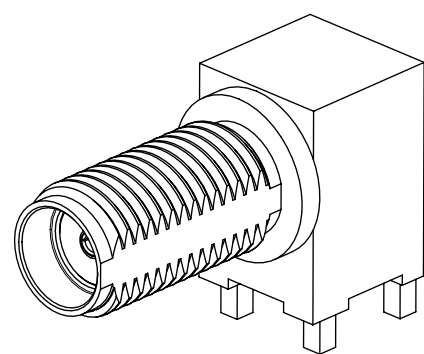
1. VOLTAGE STANDING WAVE RATIO

- 1.1(MAX) @0-6GHz.
- 1.5(MAX) @6-12GHz.
- 1.8(MAX) @12-18GHz.

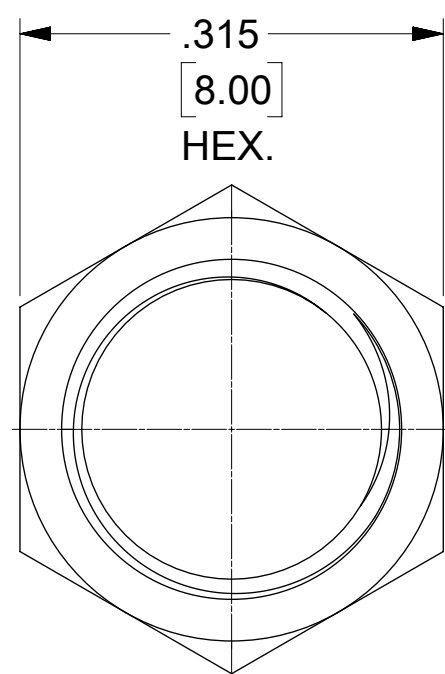
2. RF INSERTION LOSS:

- 0.1(MAX) @0-6GHz.
- 0.4(MAX) @6-12GHz.
- 0.7(MAX) @12-18GHz.

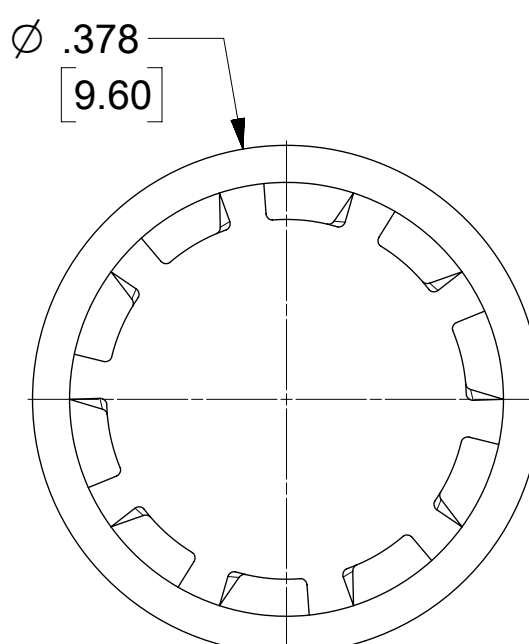
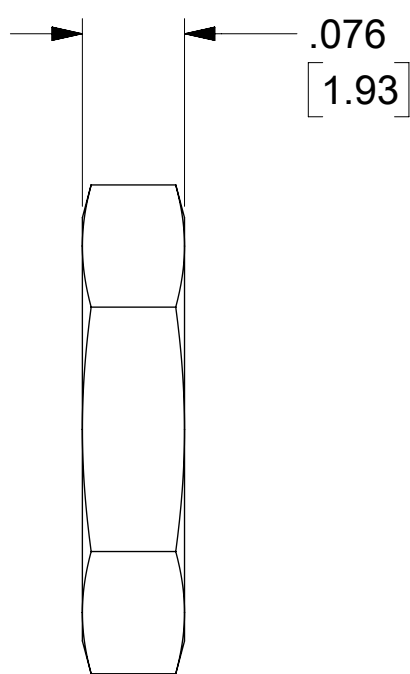
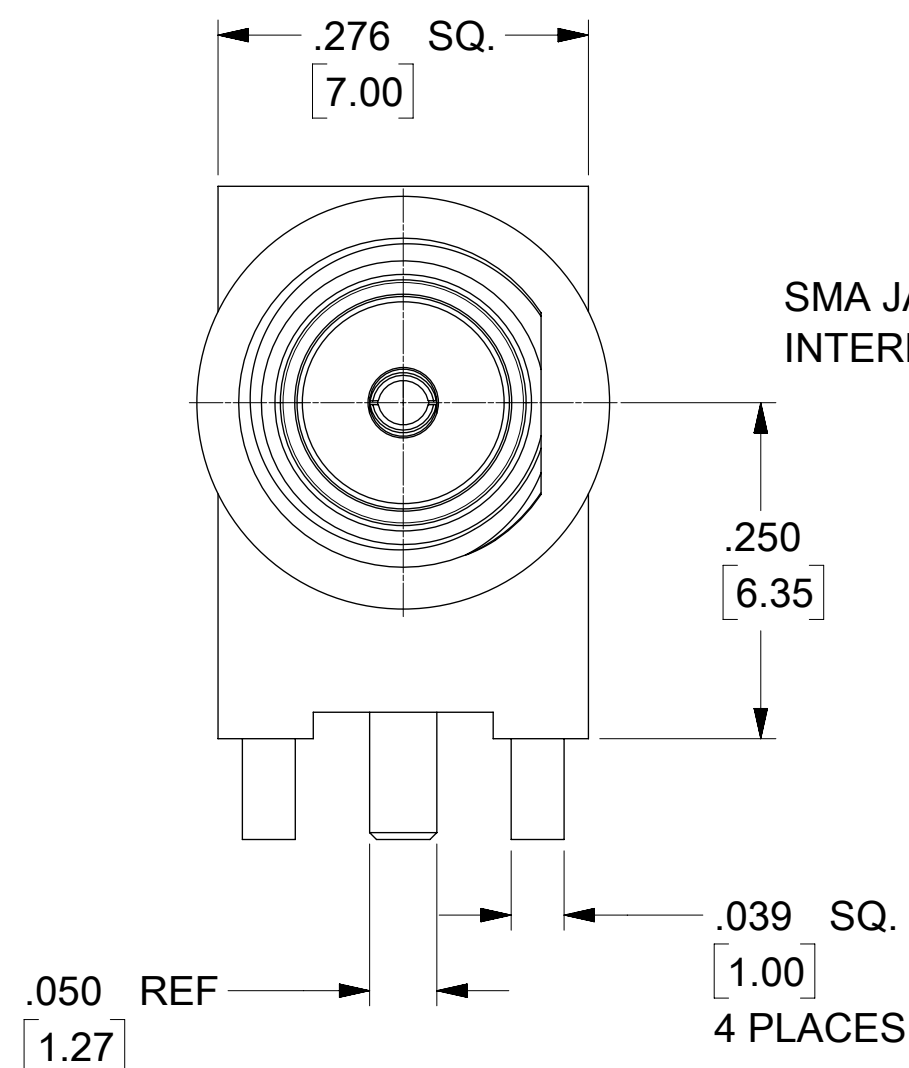
73251-4966	BAG
73251-4965	TRAY
73251-4964	
73251-4963	
73251-4962	
73251-4961	
73251-4960	
PART NO.	PACKAGING



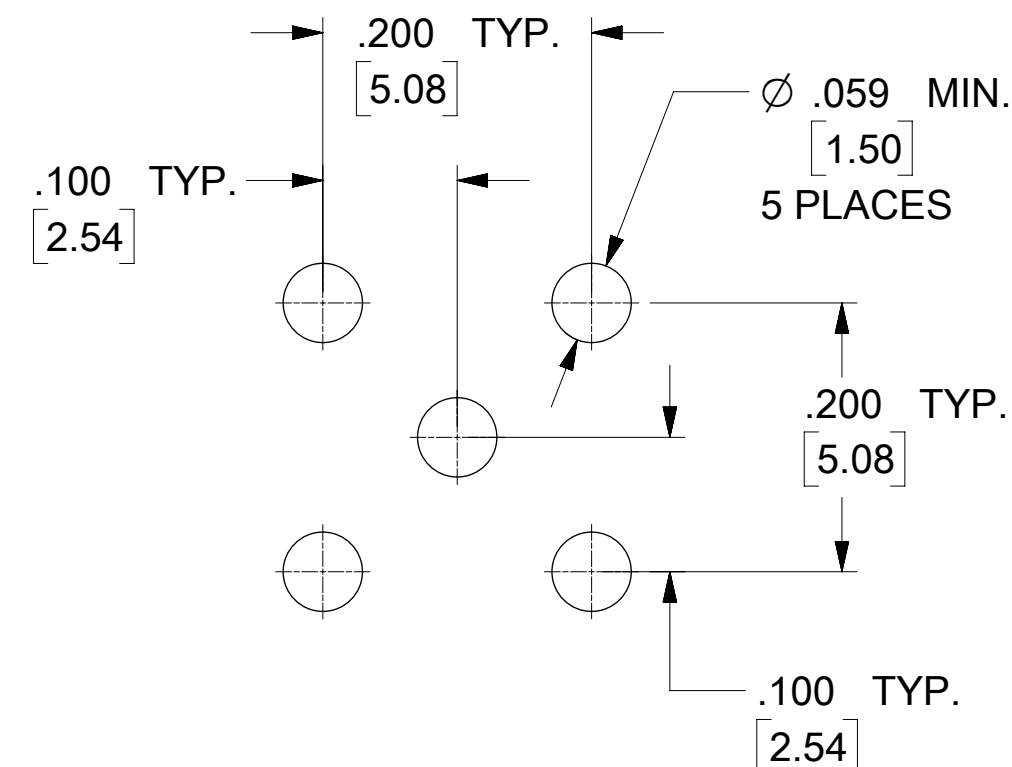
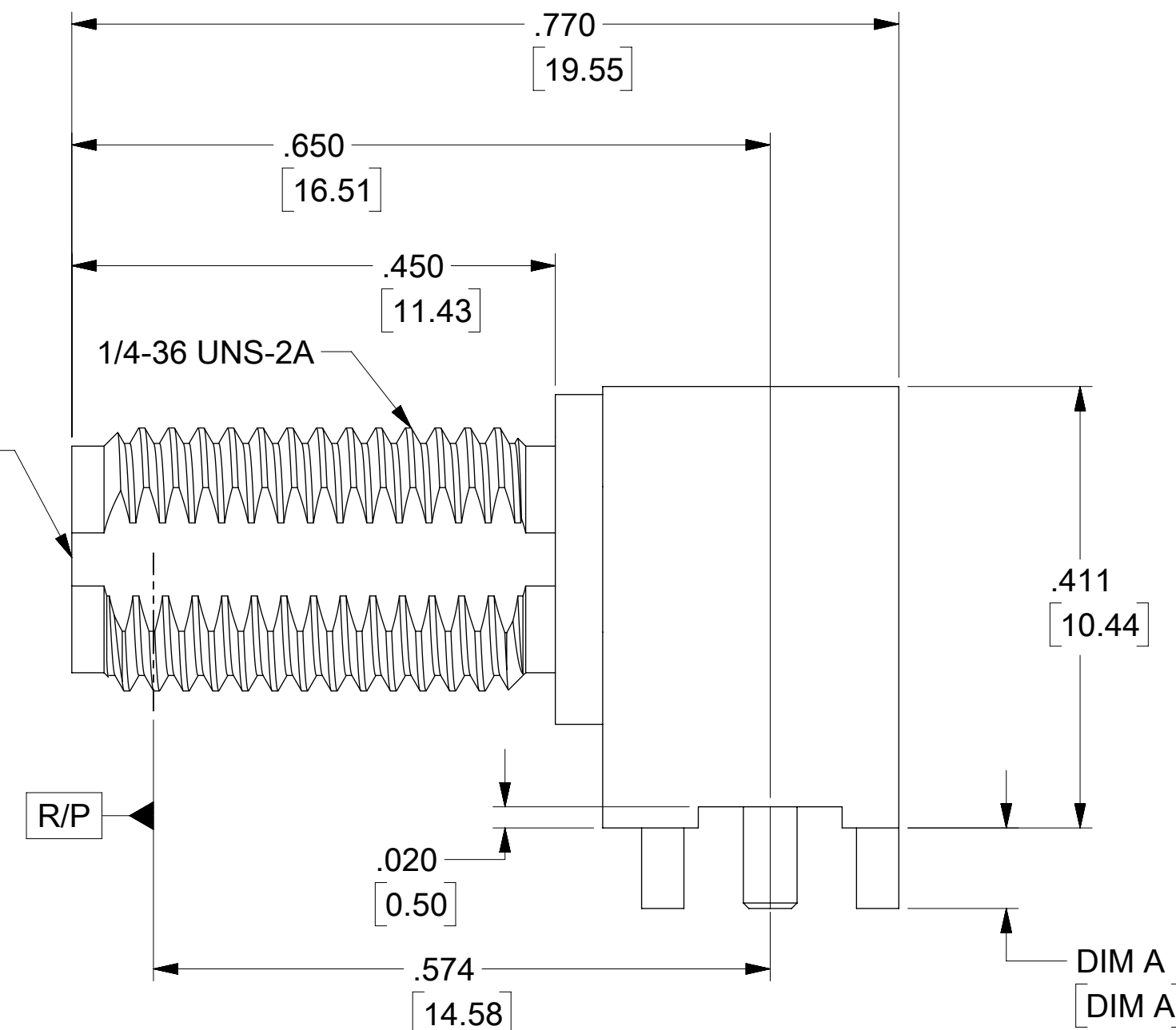
PANEL CUTOUT
.135 / 3.42 MAX THICKNESS



JAM NUT



LOCK WASHER



RECOMMENDED PCB LAYOUT

SD-73251-496 IS CONTINUATION FOR SD-73251-220

PART NO.	JAM NUT QTY	WASHER QTY	IN / MM	BODY PLATING	CONTACT PLATING	JAM NUT & LOCK WASHER PLATING
73251-4966	1	1	.110 / 2.79	NICKEL (100μ-in MIN)	GOLD (30μ-in MIN) OVER NICKEL(100μ-in MIN)	NICKEL (100μ-in MIN)
73251-4965	2	1	.110 / 2.79	GOLD (5μ-in MIN) OVER NICKEL (50μ-in MIN)	GOLD (30μ-in MIN) OVER NICKEL(100μ-in MIN)	GOLD (1μ-in MIN) OVER NICKEL (50μ-in MIN)
73251-4964	1	1	.075 / 1.91	GOLD (5μ-in MIN) OVER NICKEL (50μ-in MIN)	GOLD (30μ-in MIN) OVER NICKEL(100μ-in MIN)	GOLD (1μ-in MIN) OVER NICKEL (50μ-in MIN)
73251-4963	NOT INCLUDED	NOT INCLUDED	.110 / 2.79	GOLD (5μ-in MIN) OVER NICKEL (50μ-in MIN)	GOLD (30μ-in MIN) OVER NICKEL(100μ-in MIN)	-----
73251-4962	1	NOT INCLUDED	.110 / 2.79	NICKEL (100μ-in MIN)	GOLD (30μ-in MIN) OVER NICKEL(100μ-in MIN)	NICKEL (100μ-in MIN)
73251-4961	2	1	.155 / 3.94	GOLD (1μ-in MIN) OVER NICKEL (50μ-in MIN)	GOLD (1μ-in MIN) OVER NICKEL (50μ-in MIN)	GOLD (1μ-in MIN) OVER NICKEL (50μ-in MIN)
73251-4960	1	1	.075 / 1.91	GOLD (1μ-in MIN) OVER NICKEL (50μ-in MIN)	GOLD (1μ-in MIN) OVER NICKEL (50μ-in MIN)	GOLD (1μ-in MIN) OVER NICKEL (50μ-in MIN)

PS-89675-3460	PRODUCT SPECIFICATION
MIL-STD-348A, FIG. 310.2	INTERFACE
SPECIFICATION	DESCRIPTION

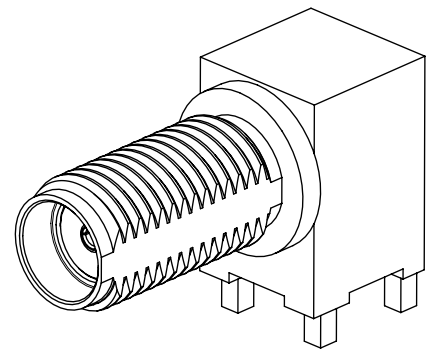
FUNCTIONAL SYMBOLS		THIS DRAWING CONTAINS INFORMATION THAT IS PROPRIETARY TO MOLEX ELECTRONIC TECHNOLOGIES, LLC AND SHOULD NOT BE USED WITHOUT WRITTEN PERMISSION		CURRENT REV DESC:	
FA = 0	INCH/MM	SCALE	NTS	EWR-14242-J ADDED LABEL FORMAT FOR 73251-4966	
EA = 0	GENERAL TOLERANCES (UNLESS SPECIFIED)		EC NO: 659677		
EP = 0	ANGULAR TOL ± °		DRWN: JSU18 2021/03/24		
DIVISIONAL SYMBOLS		4 PLACES ±		CHK'D: YCHENG 2021/04/06	
		3 PLACES ±		APPR: YCHENG 2021/04/06	
		2 PLACES ±		INITIAL REVISION:	
		1 PLACE ±		DRWN: JLEE02 2014/03/28	
		0 PLACES ±		APPR: WSPINK 2014/03/28	
DRAFT WHERE APPLICABLE MUST REMAIN WITHIN DIMENSIONS		THIRD ANGLE PROJECTION	DRAWING	SERIES	MATERIAL NUMBER
			C-SIZE	73251	SEE TABLE
				CUSTOMER	SHEET NUMBER
				GENERAL MARKET	1 OF 4



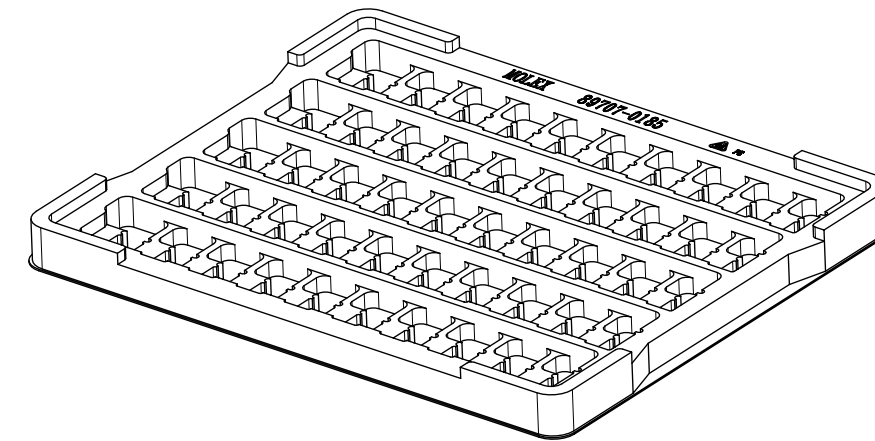
SMA JACK RA
BLKHD RM PCB TH SMA-J/RA/PCB, EWR-2144

PRODUCT CUSTOMER DRAWING

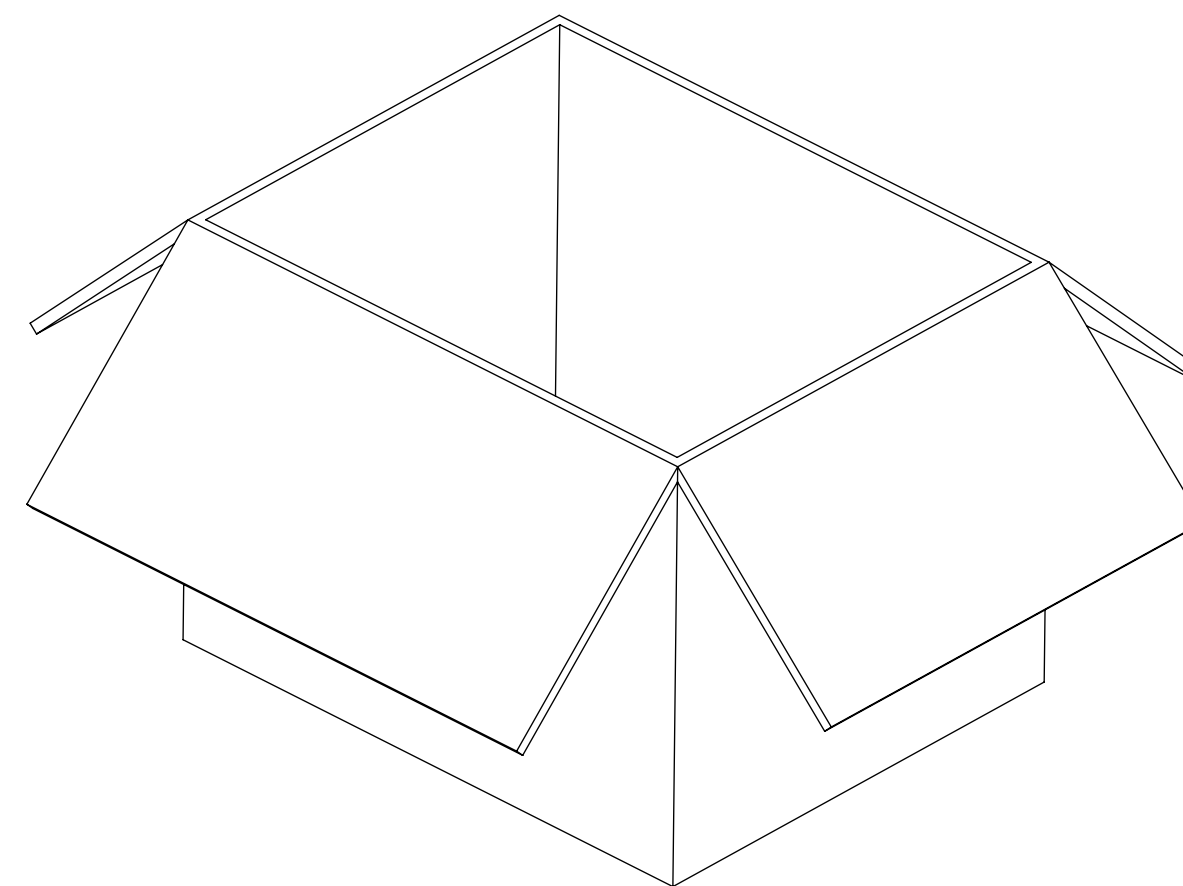
DOCUMENT NUMBER: SD-73251-496
DOC TYPE: PSD
DOC PART: 000
REVISION: B9




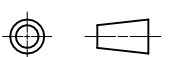
PART NO : 73251-4960
 PART NO: 73251-4962
 PART NO: 73251-4963
 PART NO: 73251-4964
 PART NO: 73251-4965



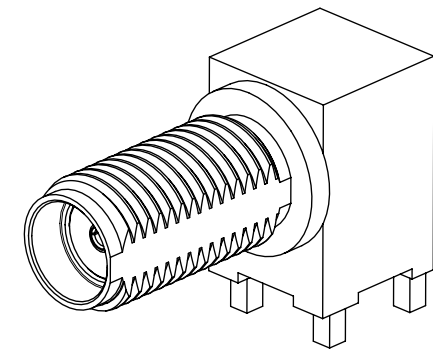
50 SET PER TRAY
 P/N: 89707-0185



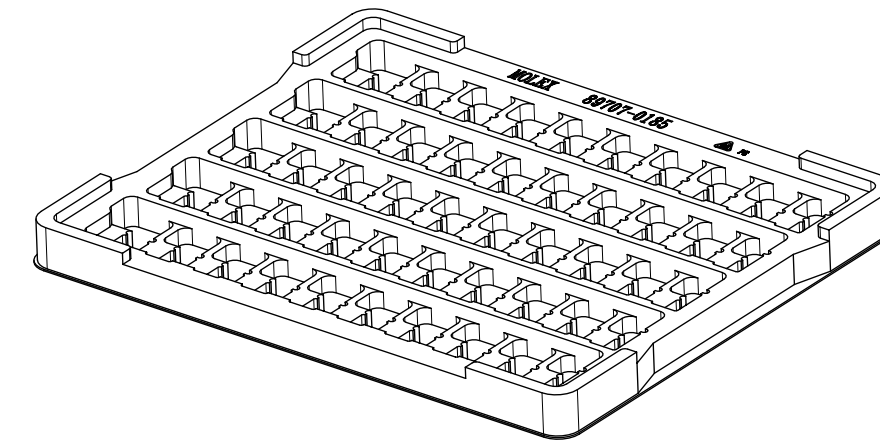
1400 SET PER OUTER CARTON BOX
 P/N: 89499-9027

FUNCTIONAL SYMBOLS	THIS DRAWING CONTAINS INFORMATION THAT IS PROPRIETARY TO MOLEX ELECTRONIC TECHNOLOGIES, LLC AND SHOULD NOT BE USED WITHOUT WRITTEN PERMISSION												
	DIMENSION UNITS	SCALE	CURRENT REV DESC:										
$\frac{F}{A} = 0$	INCH/MM	NTS	EWR-14242-J ADDED LABEL FORMAT FOR 73251-4966										
$\frac{E}{C} = 0$	GENERAL TOLERANCES (UNLESS SPECIFIED)		EC NO: 659677								SMA JACK RA BLKHD RM PCB TH SMA-J/RA/PCB, EWR-2144		
$\frac{E}{P} = 0$	ANGULAR TOL ± °		DRWN: JSU18 2021/03/24										
DIVISIONAL SYMBOLS	4 PLACES ±		CHK'D: YCHENG 2021/04/06										
	3 PLACES ±		APPR: YCHENG 2021/04/06										
	2 PLACES ±		INITIAL REVISION:										
	1 PLACE ±		DRWN: JLEE02 2014/03/28										
0 PLACES ±		APPR: WSPINK 2014/03/28								DOCUMENT NUMBER	DOC TYPE	DOC PART	REVISION
DRAFT WHERE APPLICABLE MUST REMAIN WITHIN DIMENSIONS		THIRD ANGLE PROJECTION		DRAWING	SERIES	MATERIAL NUMBER		CUSTOMER		SHEET NUMBER			
				C-SIZE	73251	SD-73251-496		GENERAL MARKET		PSD 000	B9		

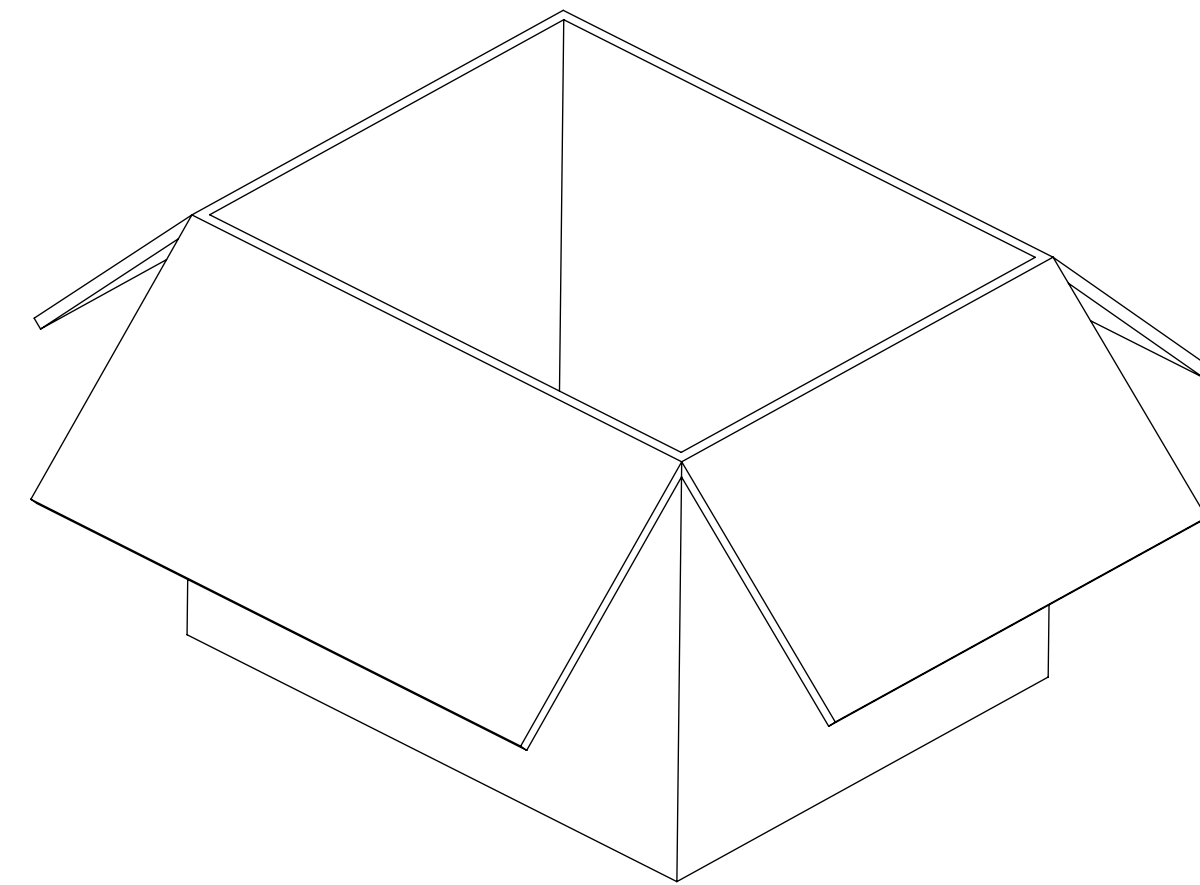
DOCUMENT STATUS	P1	RELEASE DATE	2021/04/06	01:47:34
-----------------	----	--------------	------------	----------



PART NO : 73251-4961



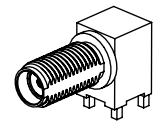
50 SET PER TRAY
P/N: 89707-0185



1200 SET PER OUTER CARTON BOX
P/N: 89499-9027

FUNCTIONAL SYMBOLS	THIS DRAWING CONTAINS INFORMATION THAT IS PROPRIETARY TO MOLEX ELECTRONIC TECHNOLOGIES, LLC AND SHOULD NOT BE USED WITHOUT WRITTEN PERMISSION													
	DIMENSION UNITS	SCALE	CURRENT REV DESC:								molex			
$\frac{F}{A} = 0$	INCH/MM	NTS	EWR-14242-J ADDED LABEL FORMAT FOR 73251-4966											
$\frac{E}{C} = 0$	GENERAL TOLERANCES (UNLESS SPECIFIED)		EC NO: 659677								SMA JACK RA BLKHD RM PCB TH SMA-J/RA/PCB, EWR-2144			
$\frac{E}{P} = 0$	ANGULAR TOL ± °		DRWN: JSU18 2021/03/24											
DIVISIONAL SYMBOLS	4 PLACES ±		CHK'D: YCHENG 2021/04/06								PRODUCT CUSTOMER DRAWING			
	3 PLACES ±		APPR: YCHENG 2021/04/06											
	2 PLACES ±		INITIAL REVISION:								DOCUMENT NUMBER	DOC TYPE	DOC PART	REVISION
	1 PLACE ±		DRWN: JLEE02 2014/03/28								SD-73251-496	PSD	000	B9
0 PLACES ±		APPR: WSPINK 2014/03/28								MATERIAL NUMBER	CUSTOMER		SHEET NUMBER	
DRAFT WHERE APPLICABLE MUST REMAIN WITHIN DIMENSIONS		THIRD ANGLE PROJECTION		DRAWING	SERIES	GENERAL MARKET								
				C-SIZE	73251	3 OF 4								

DOCUMENT STATUS	P1	RELEASE DATE	2021/04/06	01:47:34
-----------------	----	--------------	------------	----------



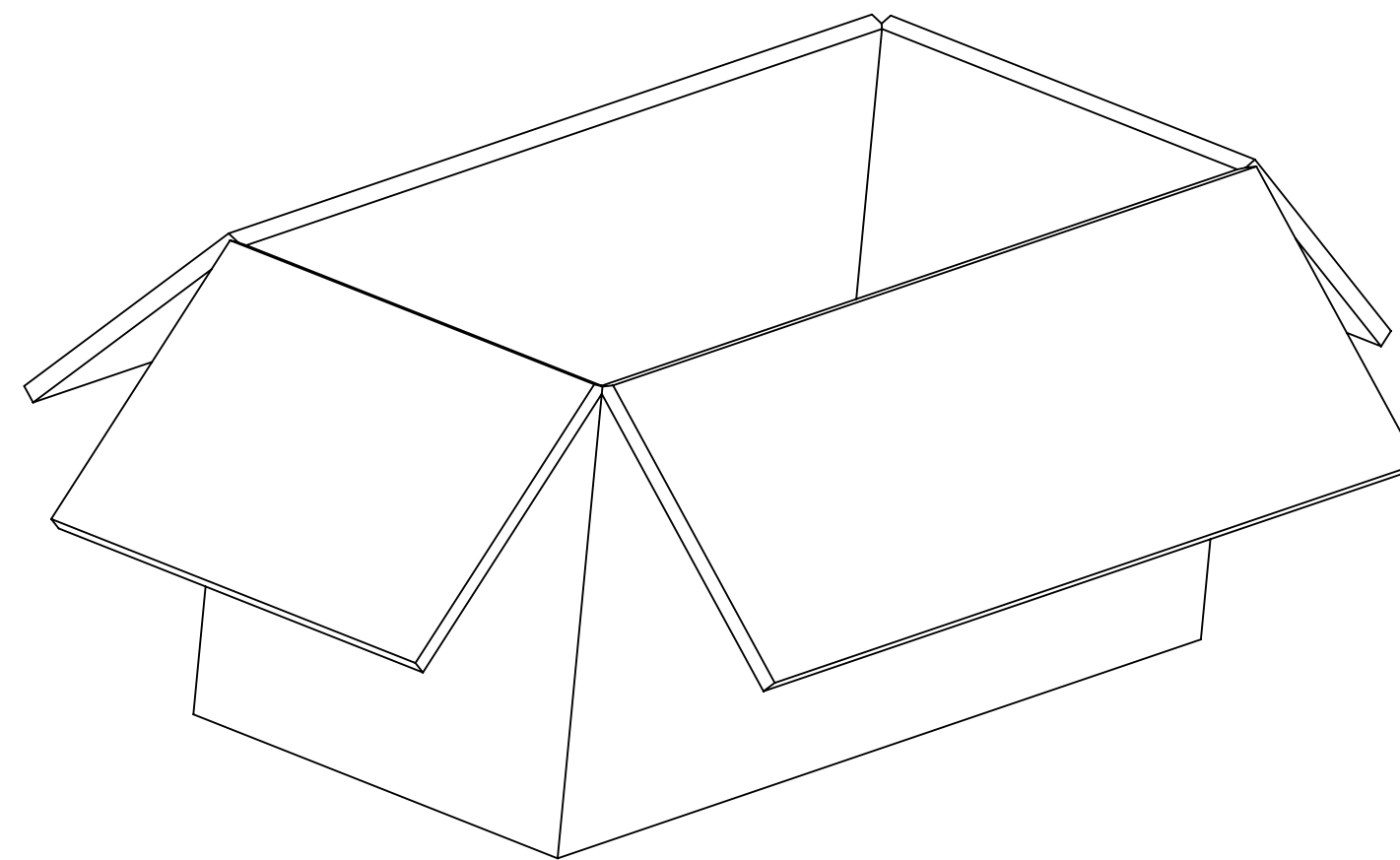
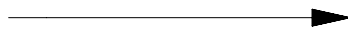
FOR 73251-4966 ONLY



1 SET PER POLYBAG
P/N: 89707-0317



50 SET PER POLYBAG
P/N: 89707-0176



500 SET PER OUTER CARTON BOX
P/N: 96707-0002

LABEL FORMAT FOR
73251-4966

PART NUMBER : 73251-2200
ORDER NUMBER : 73251-4966
MOLEX
DATE : YYWW

FUNCTIONAL SYMBOLS	THIS DRAWING CONTAINS INFORMATION THAT IS PROPRIETARY TO MOLEX ELECTRONIC TECHNOLOGIES, LLC AND SHOULD NOT BE USED WITHOUT WRITTEN PERMISSION											
	DIMENSION UNITS	SCALE	CURRENT REV DESC:								molex	
$\frac{F}{A} = 0$	INCH/MM	NTS	EWR-14242-J ADDED LABEL FORMAT FOR 73251-4966									
$\frac{F}{C} = 0$	GENERAL TOLERANCES (UNLESS SPECIFIED)											
	ANGULAR TOL ± °											
$\frac{F}{P} = 0$	4 PLACES ±		EC NO: 659677									
	3 PLACES ±		DRWN: JSU18		2021/03/24							
DIVISIONAL SYMBOLS	2 PLACES ±		CHK'D: YCHENG		2021/04/06							
	1 PLACE ±		APPR: YCHENG		2021/04/06							
0 PLACES ±		INITIAL REVISION:								PRODUCT CUSTOMER DRAWING		
DRAFT WHERE APPLICABLE MUST REMAIN WITHIN DIMENSIONS		THIRD ANGLE PROJECTION		DRAWING		SERIES		DOCUMENT NUMBER		DOC TYPE	DOC PART	REVISION
				C-SIZE		73251		SD-73251-496		PSD	000	B9
								MATERIAL NUMBER		CUSTOMER		SHEET NUMBER
										GENERAL MARKET		4 OF 4