

# Mallory Sonalert Products, Inc.

Part #: **SC628H-BTR**

## Sales Outline Drawing

Revision: **C**

### Specifications:

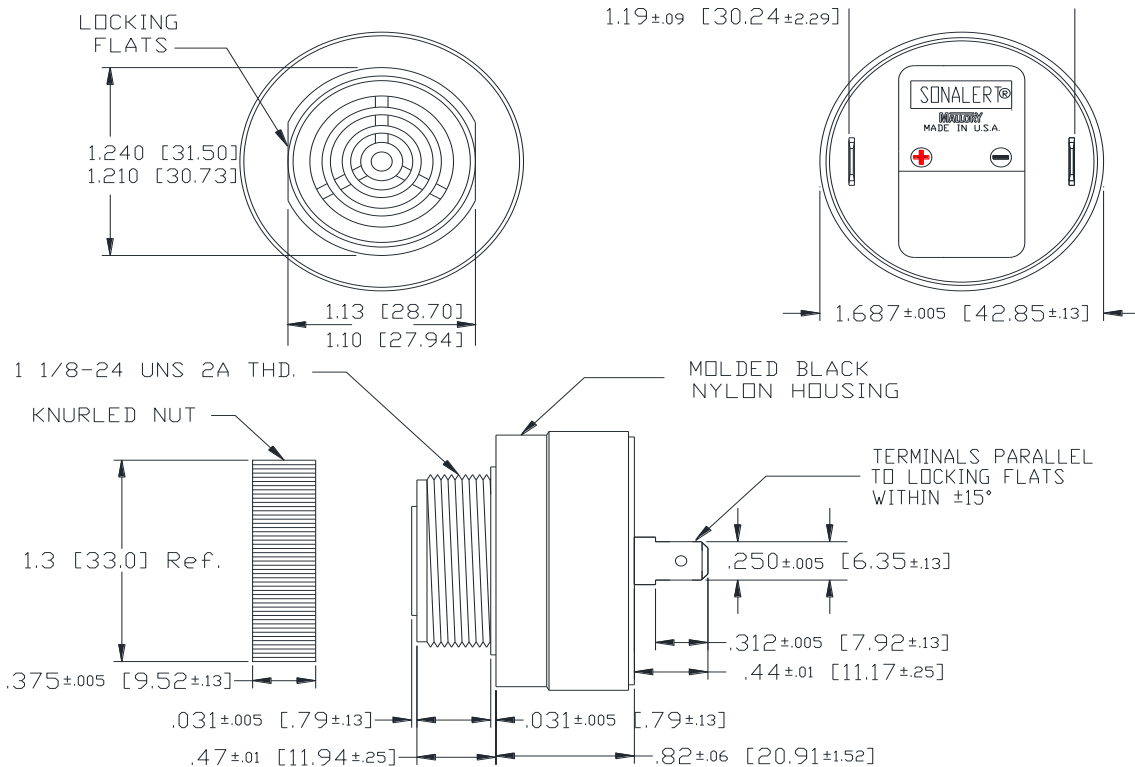
|                       |                                                                                            |
|-----------------------|--------------------------------------------------------------------------------------------|
| Sound Level Category  | Medium                                                                                     |
| Mode of Operation     | Continuous                                                                                 |
| Voltage Rating        | 6 to 28 VDC                                                                                |
| Frequency             | 4500 ± 500 Hz                                                                              |
| Loudness @ 2 FT       | 78 to 89 dB(A) Typ.                                                                        |
| Loudness @ Min Vdc    | 68 dB(A) @ 2 Feet and 6 Vdc                                                                |
| Loudness @ Max Vdc    | 80 dB(A) @ 2 Feet and 28 Vdc                                                               |
| Current Draw          | 6-23mA                                                                                     |
| Housing Material      | 6/6 Nylon, Color: Black                                                                    |
| Storage Temperature   | -40° to +85° C                                                                             |
| Operating Temperature | -30° to +65° C                                                                             |
| Panel Mounting        | Recommended hole size is 1.25"(31.75mm). Thread front will fit standard 30mm(1.181") hole. |
| Knurled Nut           | Used to attach part to panel. The max recommended torque is 10 in-lbs.                     |
| Weight (Typical)      | 1.6 oz (45g)                                                                               |
| NEMA 3R,4X, & 12      | Approved with use of ACC03.                                                                |
| Options               | Please contact factory.                                                                    |

### Dimensions:

Inches (mm)

**cUL Recognized**

**ROHS Compliant**



MOUNTING: REMOVE BLACK PLASTIC NUT AND INSERT THREADED FRONT THROUGH 1.25" HOLE PUNCHED IN PANEL, IF ORIENTATION IS NEEDED, NOTE LOCKING FLATS ON DRAWING. SCREW NUT BACK ON. DO NOT OVERTIGHTEN.