



**Mallory Sonalert Products, Inc.**

Part #:

**SBT5LM0PC**

**Sales Outline Drawing**

Revision:

**H**

<b>Specifications:</b>	<b>cUL Recognized as capable of meeting Medical Spec IEC60601-1-8 AMD2:2020</b>
Sound Level Category:	Loud
Mode of Operation:	Continuous
Voltage Rating:	3.3 to 5 VDC
Frequency:	150 to 4000 Hz
Loudness @ 10cm:	85 to 95 dB(A) Typ.
Average Current Draw:	<35mA Typ.
Ipk Current*:	300mA
Housing Material:	ABS 777D Plastic Resin, Black
Storage Temperature:	-40° to +85° C
Operating Temperature:	-30° to +65° C
Weight Typical:	0.6 oz (17g)
Options:	Please contact factory.
Condition by wave solder (°C)	260 ± 5 within 5 sec
Condition by hand solder (°C)	350 ± 20 within 5 sec

**Dimensions:** Inches (mm)

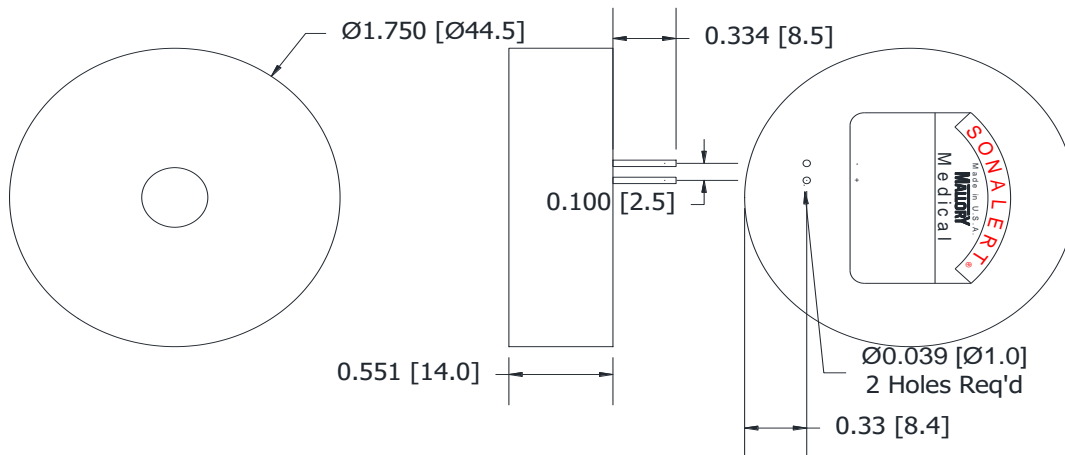
**ROHS Compliant**

PATENT NUMBER: 7880593

Before Code Date: 1546

Not cUL Recognized

After Code Date: 1547 cUL Recognized



\*Ipk = Instantaneous Peak

tolerances:  $\pm 0.01$  [ $\pm 0.3$ ]  
 $\pm 0.005$  [ $\pm 0.1$ ]