

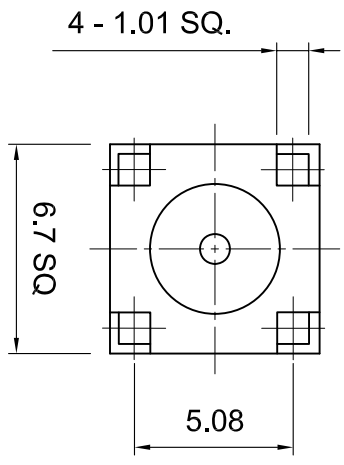
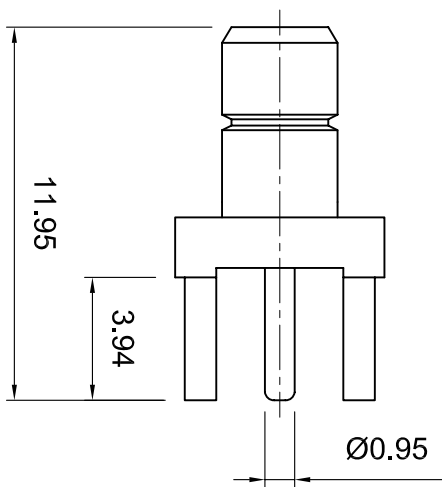
Tolerances	
1-20=+/-0.2	20-30=+/-0.3
30-40=+/-0.4	40-50=+/-0.5
50-100=+/-0.75	100-300=+/-1.5
Angles=+/-1	

Dimensions are in Millimeters


Revisions	
Description/Approved/Date	Approved M.H. 02/08/99
	Checked M.H. 02/08/99
	Drawn K.R.E. 02/08/99

NOTES (plating thickness in microinches):

- Per QQ-B-626
- Per QQ-S-764
- Per QQ-C-530
- Per QQ-B-750
- Per MIL-P-19488
- Per ZZ-R-765
- Per WW-1-799
- Gold pl. 5 min. over nickel pl. 50 min. over copper strike
- Nickel pl. 100 min. over copper strike
- Gold pl. 5 min. over nickel pl. 50 min. over copper strike



ITEM	MATERIAL	FINISH
Connector Body	Brass, Note 1	Gold, Note 8
Center Contact:	Brass, Note 1	Gold, Note 11
Insulation	Teflon, Note 5	None
Ferrule	--	--
Gasket	--	--
Hex Nut	--	--
Lock Washer	--	--



Lighthorse Technologies, Inc.
4907 Morena Boulevard, #1411
San Diego, California 92117
Part Number: **LTI-SBSF54GT**

Description
SMB PCB Jack, gold plated Brass Teflon dielectric

Scale	Drawing No.	File Name
3:1	SBSF54	SBSF54