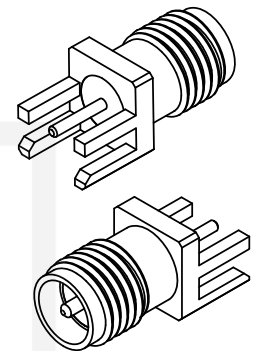
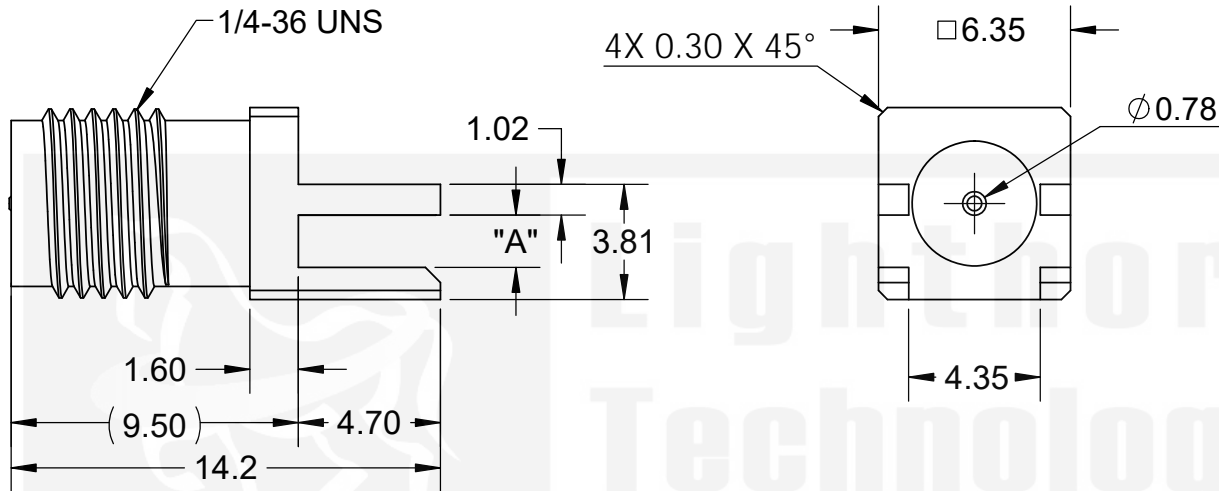
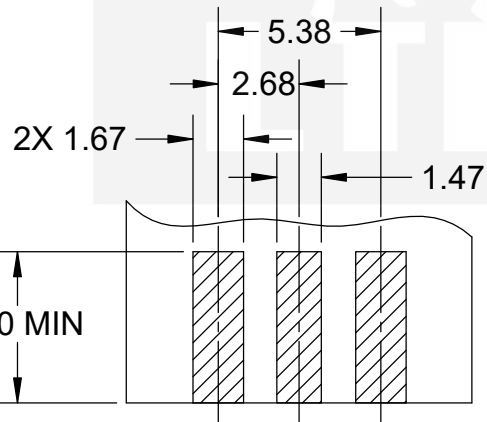


ITEM:	MATERIAL:	FINISH:	NOTES:	REVISIONS				
				REV	ECR	DESCRIPTION	DRAWN	DATE
CONNECTOR BODY	BRASS, NOTE 1	GOLD, NOTE 8	1. PER QQ-B-626 2. PER QQ-S-764 3. PER QQ-C-530 4. PER QQ-B-750 5. PER MIL-P-19468 6. PER ZZ-R-765 7. PER WW-T-799 8. GOLD PLATED 5µin MIN. OVER NICKEL PLATE 50µin MIN. OVER COPPER STRIKE. 9. NICKEL PLATE 100µin MIN. OVER COPPER STRIKE. 10. PER ASTM-A967 11. GOLD PLATE 30µin MIN. OVER NICKEL PLATE 50µin MIN. OVER COPPER STRIKE. 12. TIN ZINC PLATE 100µin MIN. OVER COPPER STRIKE.	1		ENGINEERING RELEASE	P. BURDGE	04/27/2012
CENTER CONTACT	BERYLLIUM COPPER, NOTE 3	GOLD, NOTE 11						
INSULATION	TEFLON, NOTE 5	----						
FERRULE	----	----						
GASKET	----	----						
HEX NUT	----	----						
LOCK WASHER	----	----						





SCALE: 2/1



**SUGGESTED PCB PAD LAYOUT**

DIM "A" ±0.05	PCB THICKNESS
1.73 [.068 in]	1.60 [.063 in]

DO NOT SCALE DRAWING		 <b>Lighthouse Technologies</b> San Diego, CA WWW.RFCONNECTOR.COM
TOLERANCES UNLESS OTHERWISE SPECIFIED		
DIMENSIONS ARE IN MILLIMETERS		TITLE: SMA, STRAIGHT, RP JACK, PCB SLDR POST, PCB END LAUNCH, 1.60 [.063in] PCB THK, LOW PROFILE
X = ±0.5 X.X = ±0.25 X.XX = ±0.13 ANGLE = ±30°		
 THIRD ANGLE PROJECTION		SIZE <b>A</b> PART/DWG. NO: <b>SASRF55ZGT</b> REV <b>1</b>
CUSTOMER APPROVAL		
SIGN / DATE:		SCALE: 4:1 FILE NAME SHEET 1 OF 1
ENG APPR.		
CHECKED		
DRAWN	P. BURDGE 04/27/2012	
NAME	DATE	

PROPRIETARY AND CONFIDENTIAL  
 UNLESS OTHERWISE SPECIFIED, THIS DOCUMENT CONTAINS LIGHTHORSE TECHNOLOGIES INFORMATION. REPRODUCTION, USE, DISCLOSURE OR TRANSMITTAL OF ALL OR ANY PART OF THIS DOCUMENT IS PROHIBITED EXCEPT TO THE EXTENT APPROVED IN WRITING BY AN AUTHORIZED REPRESENTATIVE OF LIGHTHORSE TECHNOLOGIES. LIGHTHORSE TECHNOLOGIES RESERVES ALL RIGHTS UNDER PATENTS, TRADEMARKS, COPYRIGHTS AND TRADE SECRETS. COPY RIGHTS OF LIGHTHORSE TECHNOLOGIES 2011, ALL RIGHTS RESERVED.

