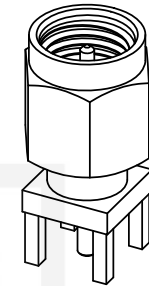
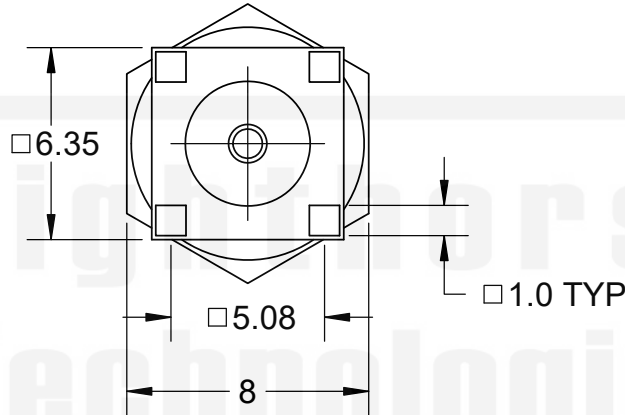
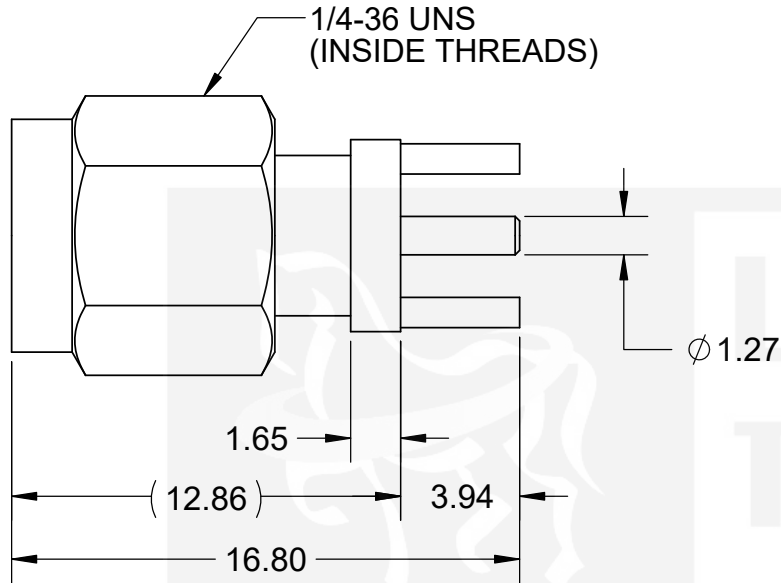
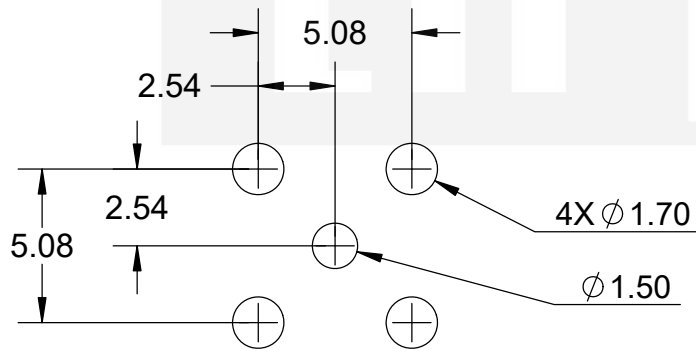


ITEM:	MATERIAL:	FINISH:	NOTES:	REVISIONS				
				REV	ECR	DESCRIPTION	DRAWN	DATE
CONNECTOR BODY	BRASS, NOTE 1	GOLD, NOTE 8	1. PER QQ-B-626 2. PER QQ-S-764 3. PER QQ-C-530 4. PER QQ-B-750 5. PER MIL-P-19468 6. PER ZZ-R-765 7. PER WW-T-799 8. GOLD PLATED 5µin MIN. OVER NICKEL PLATE 50µin MIN. OVER COPPER STRIKE. 9. NICKEL PLATE 100µin MIN. OVER COPPER STRIKE. 10. PER ASTM-A967 11. GOLD PLATE 30µin MIN. OVER NICKEL PLATE 50µin MIN. OVER COPPER STRIKE. 12. TIN ZINC PLATE 100µin MIN. OVER COPPER STRIKE.	1		ENGINEERING RELEASE	P. BURDGE	01/19/2012
CENTER CONTACT	BRASS, NOTE 1	GOLD, NOTE 11						
INSULATION	TEFLON, NOTE 5	----						
FERRULE	----	----						
GASKET	----	----						
HEX NUT	----	----						
LOCK WASHER	----	----						

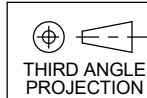


scale: 2/1



SUGGESTED PCB LAYOUT

DO NOT SCALE DRAWING
 TOLERANCES UNLESS OTHERWISE SPECIFIED
 DIMENSIONS ARE IN MILLIMETERS
 X = ±0.5
 X.X = ±0.25
 X.XX = ±0.13
 ANGLE = ±30'



CUSTOMER APPROVAL

SIGN / DATE:

ENG APPR.		
CHECKED		
DRAWN	P. BURDGE	01/19/2012
	NAME	DATE

Lighthouse Technologies
 San Diego, CA
 WWW.RFCONNECTOR.COM

LTI

TITLE: SMA, STRAIGHT, PLUG,
 PCB SLDR POST, PCB HOLE MNT

SIZE	PART/DWG. NO:	REV
A	SASM54GT	1
SCALE: 4:1	FILE NAME	SHEET 1 OF 1

PROPRIETARY AND CONFIDENTIAL
 UNLESS OTHERWISE SPECIFIED, THIS DOCUMENT CONTAINS LIGHTHORSE TECHNOLOGIES INFORMATION. REPRODUCTION, USE, DISCLOSURE OR TRANSMITTAL OF ALL OR ANY PART OF THIS DOCUMENT IS PROHIBITED EXCEPT TO THE EXTENT APPROVED IN WRITING BY AN AUTHORIZED REPRESENTATIVE OF LIGHTHORSE TECHNOLOGIES. LIGHTHORSE TECHNOLOGIES RESERVES ALL RIGHTS UNDER PATENTS, TRADEMARKS, COPYRIGHTS AND TRADE SECRETS. COPY RIGHTS OF LIGHTHORSE TECHNOLOGIES 2011, ALL RIGHTS RESERVED.

