

# S5D3 Microcontroller Group

Datasheet

## Renesas Synergy™ Platform

Synergy Microcontrollers

S5 Series

All information contained in these materials, including products and product specifications, represents information on the product at the time of publication and is subject to change by Renesas Electronics Corp. without notice. Please review the latest information published by Renesas Electronics Corp. through various means, including the Renesas Electronics Corp. website (<http://www.renesas.com>).

Leading performance 120-MHz Arm® Cortex®-M4 core, 512-KB code flash memory, 256-KB SRAM, Capacitive Touch Sensing Unit, USB 2.0 Full-Speed, SDHI, Quad SPI, security and safety features, and advanced analog.

## Features

### ■ Arm Cortex-M4 Core with Floating Point Unit (FPU)

- Armv7E-M architecture with DSP instruction set
- Maximum operating frequency: 120 MHz
- Support for 4-GB address space
- On-chip debugging system: JTAG, SWD, and ETM
- Boundary scan and Arm Memory Protection Unit (Arm MPU)

### ■ Memory

- 512-KB code flash memory (40 MHz zero wait states)
- 8-KB data flash memory (125,000 erase/write cycles)
- 256-KB SRAM
- Flash Cache (FCACHE)
- Memory Protection Units (MPU)
- Memory Mirror Function (MMF)
- 128-bit unique ID

### ■ Connectivity

- USB 2.0 Full-Speed (USBFS) module
  - On-chip transceiver
- Serial Communications Interface (SCI) with FIFO × 7
- Serial Peripheral Interface (SPI) × 2
- I<sup>2</sup>C bus interface (IIC) × 2
- CAN module (CAN) × 2
- Serial Sound Interface Enhanced (SSIE)
- SD/MMC Host Interface (SDHI) × 2
- Quad Serial Peripheral Interface (QSPI)
- IrDA interface
- Sampling Rate Converter (SRC)
- External address space
  - 8-bit bus space

### ■ Analog

- 12-bit A/D Converter (ADC12) with 3 sample-and-hold circuits each × 2
- 12-bit D/A Converter (DAC12) × 2
- High-Speed Analog Comparator (ACMPHS) × 6
- Programmable Gain Amplifier (PGA) × 6
- Temperature Sensor (TSN)

### ■ Timers

- General PWM Timer 32-bit Enhanced High Resolution (GPT32EH) × 4
- General PWM Timer 32-bit Enhanced (GPT32E) × 4
- General PWM Timer 32-bit (GPT32) × 5
- Asynchronous General-Purpose Timer (AGT) × 2
- Watchdog Timer (WDT)

### ■ Safety

- Error Code Correction (ECC) in SRAM
- SRAM parity error check
- Flash area protection
- ADC self-diagnosis function
- Clock Frequency Accuracy Measurement Circuit (CAC)
- Cyclic Redundancy Check (CRC) calculator
- Data Operation Circuit (DOC)
- Port Output Enable for GPT (POEG)
- Independent Watchdog Timer (IWDT)
- GPIO readback level detection
- Register write protection
- Main oscillator stop detection
- Illegal memory access

### ■ System and Power Management

- Low power modes
- Realtime Clock (RTC) with calendar and VBATT support
- Event Link Controller (ELC)
- DMA Controller (DMAC) × 8
- Data Transfer Controller (DTC)
- Key Interrupt Function (KINT)
- Power-on reset
- Low Voltage Detection (LVD) with voltage settings

### ■ Security and Encryption

- AES128/192/256
- 3DES/ARC4
- SHA1/SHA224/SHA256/MD5
- GHASH
- RSA/DSA/ECC
- True Random Number Generator (TRNG)

### ■ Human Machine Interface (HMI)

- Capacitive Touch Sensing Unit (CTSU)

### ■ Multiple Clock Sources

- Main clock oscillator (MOSC) (8 to 24 MHz)
- Sub-clock oscillator (SOSC) (32.768 kHz)
- High-speed on-chip oscillator (HOCO) (16/18/20 MHz)
- Middle-speed on-chip oscillator (MOCO) (8 MHz)
- Low-speed on-chip oscillator (LOCO) (32.768 kHz)
- IWDT-dedicated on-chip oscillator (15 kHz)
- Clock trim function for HOCO/MOCO/LOCO
- Clock out support

### ■ General-Purpose I/O Ports

- Up to 76 input/output pins
  - Up to 9 CMOS input
  - Up to 67 CMOS input/output
  - Up to 14 input/output 5 V tolerant
  - Up to 13 high current (20 mA)

### ■ Operating Voltage

- VCC: 2.7 to 3.6 V

### ■ Operating Temperature and Packages

- Ta = -40°C to +85°C
  - 100-pin LGA (7 mm × 7 mm, 0.65 mm pitch)
- Ta = -40°C to +105°C
  - 100-pin LQFP (14 mm × 14 mm, 0.5 mm pitch)
  - 64-pin LQFP (10 mm × 10 mm, 0.5 mm pitch)
  - 64-pin QFN (8 mm × 8 mm, 0.4 mm pitch)

## 1. Overview

The MCU integrates multiple series of software- and pin-compatible Arm<sup>®</sup>-based 32-bit cores that share a common set of Renesas peripherals to facilitate design scalability and efficient platform-based product development.

The MCU in this series incorporates a high-performance Arm Cortex<sup>®</sup>-M4 core running up to 120 MHz with the following features:

- 512-KB code flash memory
- 256-KB SRAM
- Capacitive Touch Sensing Unit (CTSU)
- USBFS
- SD/MMC Host Interface
- Quad Serial Peripheral Interface (QSPI)
- Security and safety features
- 12-bit A/D Converter (ADC12)
- 12-bit D/A Converter (DAC12)
- Analog peripherals.

### 1.1 Function Outline

**Table 1.1 Arm core**

Feature	Functional description
Arm Cortex-M4 core	<ul style="list-style-type: none"> <li>• Maximum operating frequency: up to 120 MHz</li> <li>• Arm Cortex-M4 core:               <ul style="list-style-type: none"> <li>- Revision: r0p1-01rel0</li> <li>- Armv7E-M architecture profile</li> <li>- Single precision floating-point unit compliant with the ANSI/IEEE Std 754-2008.</li> </ul> </li> <li>• Arm Memory Protection Unit (Arm MPU):               <ul style="list-style-type: none"> <li>- Armv7 Protected Memory System Architecture</li> <li>- 8 protect regions.</li> </ul> </li> <li>• SysTick timer:               <ul style="list-style-type: none"> <li>- Driven by SYSTICCLK (LOCO) or ICLK.</li> </ul> </li> </ul>

**Table 1.2 Memory**

Feature	Functional description
Code flash memory	512 KB of code flash memory. See section 50, Flash Memory in User's Manual.
Data flash memory	8 KB of data flash memory. See section 50, Flash Memory in User's Manual.
Memory Mirror Function (MMF)	The Memory Mirror Function (MMF) can be configured to mirror the target application image load address in code flash memory to the application image link address in the 23-bit unused memory space (memory mirror space addresses). Your application code is developed and linked to run from this MMF destination address. Your application code does not need to know the load location where it is stored in code flash memory. See section 5, Memory Mirror Function (MMF) in User's Manual.
Option-setting memory	The option-setting memory determines the state of the MCU after a reset. See section 7, Option-Setting Memory in User's Manual.
SRAM	On-chip high-speed SRAM with either parity-bit or Error Correction Code (ECC). The first 32 KB in SRAM0 provides error correction capability using ECC. Parity check is performed for other areas. See section 48, SRAM in User's Manual.
Standby SRAM	On-chip SRAM that can retain data in Deep Software Standby mode. See section 49, Standby SRAM in User's Manual.

**Table 1.3 System (1 of 2)**

Feature	Functional description
Operating modes	Two operating modes: <ul style="list-style-type: none"> <li>• Single-chip mode</li> <li>• SCI or USB boot mode.</li> </ul> See section 3, Operating Modes in User's Manual.
Resets	14 resets: <ul style="list-style-type: none"> <li>• RES pin reset</li> <li>• Power-on reset</li> <li>• Voltage monitor 0 reset</li> <li>• Voltage monitor 1 reset</li> <li>• Voltage monitor 2 reset</li> <li>• Independent watchdog timer reset</li> <li>• Watchdog timer reset</li> <li>• Deep Software Standby reset</li> <li>• SRAM parity error reset</li> <li>• SRAM ECC error reset</li> <li>• Bus master MPU error reset</li> <li>• Bus slave MPU error reset</li> <li>• Stack pointer error reset</li> <li>• Software reset.</li> </ul> See section 6, Resets in User's Manual.
Low Voltage Detection (LVD)	The Low Voltage Detection (LVD) function monitors the voltage level input to the VCC pin, and the detection level can be selected using a software program. See section 8, Low Voltage Detection (LVD) in User's Manual.
Clocks	<ul style="list-style-type: none"> <li>• Main clock oscillator (MOSC)</li> <li>• Sub-clock oscillator (SOSC)</li> <li>• High-speed on-chip oscillator (HOCO)</li> <li>• Middle-speed on-chip oscillator (MOCO)</li> <li>• Low-speed on-chip oscillator (LOCO)</li> <li>• PLL frequency synthesizer</li> <li>• IDWT-dedicated on-chip oscillator</li> <li>• Clock out support.</li> </ul> See section 9, Clock Generation Circuit in User's Manual.
Clock Frequency Accuracy Measurement Circuit (CAC)	The Clock Frequency Accuracy Measurement Circuit (CAC) counts pulses of the clock to be measured (measurement target clock) within the time generated by the clock to be used as a measurement reference (measurement reference clock), and determines the accuracy depending on whether the number of pulses is within the allowable range. When measurement is complete or the number of pulses within the time generated by the measurement reference clock is not within the allowable range, an interrupt request is generated. See section 10, Clock Frequency Accuracy Measurement Circuit (CAC) in User's Manual.
Interrupt Controller Unit (ICU)	The Interrupt Controller Unit (ICU) controls which event signals are linked to the NVIC/DTC module and DMAC module. The ICU also controls NMI interrupts. See section 14, Interrupt Controller Unit (ICU) in User's Manual.
Key Interrupt Function (KINT)	A key interrupt can be generated by setting the Key Return Mode Register (KRM) and inputting a rising or falling edge to the key interrupt input pins. See section 21, Key Interrupt Function (KINT) in User's Manual.
Low power modes	Power consumption can be reduced in multiple ways, such as by setting clock dividers, controlling EBCLK output, stopping modules, selecting power control mode in normal operation, and transitioning to low power modes. See section 11, Low Power Modes in User's Manual.
Battery backup function	A battery backup function is provided for partial powering by a battery. The battery-powered area includes the RTC, SOSC, backup memory, and switch between VCC and VBATT. See section 12, Battery Backup Function in User's Manual.
Register write protection	The register write protection function protects important registers from being overwritten because of software errors. See section 13, Register Write Protection in User's Manual.
Memory Protection Unit (MPU)	Four Memory Protection Units (MPUs) and a CPU stack pointer monitor function are provided for memory protection. See section 16, Memory Protection Unit (MPU) in User's Manual.

**Table 1.3 System (2 of 2)**

Feature	Functional description
Watchdog Timer (WDT)	The Watchdog Timer (WDT) is a 14-bit down-counter that can be used to reset the MCU when the counter underflows because the system has run out of control and is unable to refresh the WDT. In addition, a non-maskable interrupt or interrupt can be generated by an underflow. A refresh-permitted period can be set to refresh the counter and used as the condition for detecting when the system runs out of control. See section 27, Watchdog Timer (WDT) in User's Manual.
Independent Watchdog Timer (IWDT)	The Independent Watchdog Timer (IWDT) consists of a 14-bit down-counter that must be serviced periodically to prevent counter underflow. The IWDT provides functionality to reset the MCU or to generate a non-maskable interrupt or interrupt for a timer underflow. Because the timer operates with an independent, dedicated clock source, it is particularly useful in returning the MCU to a known state as a fail-safe mechanism when the system runs out of control. The IWDT can be triggered automatically on a reset, underflow, or refresh error, or by a refresh of the count value in the registers. See section 28, Independent Watchdog Timer (IWDT) in User's Manual.

**Table 1.4 Event link**

Feature	Functional description
Event Link Controller (ELC)	The Event Link Controller (ELC) uses the interrupt requests generated by various peripheral modules as event signals to connect them to different modules, enabling direct interaction between the modules without CPU intervention. See section 19, Event Link Controller (ELC) in User's Manual.

**Table 1.5 Direct memory access**

Feature	Functional description
Data Transfer Controller (DTC)	A Data Transfer Controller (DTC) module is provided for transferring data when activated by an interrupt request. See section 18, Data Transfer Controller (DTC) in User's Manual.
DMA Controller (DMAC)	An 8-channel DMA Controller (DMAC) module is provided for transferring data without the CPU. When a DMA transfer request is generated, the DMAC transfers data stored at the transfer source address to the transfer destination address. See section 17, DMA Controller (DMAC) in User's Manual.

**Table 1.6 External bus interface**

Feature	Functional description
External buses	<ul style="list-style-type: none"> <li>CS area (EXBIU): Connected to the external devices (external memory interface)</li> <li>QSPI area (EXBIUT2): Connected to the QSPI (external device interface).</li> </ul>

**Table 1.7 Timers (1 of 2)**

Feature	Functional description
General PWM Timer (GPT)	The General PWM Timer (GPT) is a 32-bit timer with 13 channels. PWM waveforms can be generated by controlling the up-counter, down-counter, or up- and down-counter. In addition, PWM waveforms can be generated for controlling brushless DC motors. The GPT can also be used as a general-purpose timer. See section 23, General PWM Timer (GPT) in User's Manual.
Port Output Enable for GPT (POEG)	Use the Port Output Enable for GPT (POEG) function to place the General PWM Timer (GPT) output pins in the output disable state. See section 22, Port Output Enable for GPT (POEG) in User's Manual.
Asynchronous General-Purpose Timer (AGT)	The Asynchronous General Purpose Timer (AGT) is a 16-bit timer that can be used for pulse output, external pulse width or period measurement, and counting of external events. This 16-bit timer consists of a reload register and a down-counter. The reload register and the down-counter are allocated to the same address, and can be accessed with the AGT register. See section 25, Asynchronous General-Purpose Timer (AGT) in User's Manual.

**Table 1.7 Timers (2 of 2)**

Feature	Functional description
Realtime Clock (RTC)	The Realtime Clock (RTC) has two counting modes, calendar count mode and binary count mode, that are controlled by the register settings. For calendar count mode, the RTC has a 100-year calendar from 2000 to 2099 and automatically adjusts dates for leap years. For binary count mode, the RTC counts seconds and retains the information as a serial value. Binary count mode can be used for calendars other than the Gregorian (Western) calendar. See section 26, Realtime Clock (RTC) in User's Manual.

**Table 1.8 Communication interfaces (1 of 2)**

Feature	Functional description
Serial Communications Interface (SCI)	The Serial Communications Interface (SCI) is configurable to five asynchronous and synchronous serial interfaces: <ul style="list-style-type: none"> <li>• Asynchronous interfaces (UART and Asynchronous Communications Interface Adapter (ACIA))</li> <li>• 8-bit clock synchronous interface</li> <li>• Simple IIC (master-only)</li> <li>• Simple SPI</li> <li>• Smart card interface.</li> </ul> The smart card interface complies with the ISO/IEC 7816-3 standard for electronic signals and transmission protocol. Each SCI has FIFO buffers to enable continuous and full-duplex communication, and the data transfer speed can be configured independently using an on-chip baud rate generator. See section 30, Serial Communications Interface (SCI) in User's Manual.
IrDA Interface (IrDA)	The IrDA interface sends and receives IrDA data communication waveforms in cooperation with the SCI1 based on the IrDA (Infrared Data Association) standard 1.0. See section 31, IrDA Interface in User's Manual.
I <sup>2</sup> C bus interface (IIC)	The 2-channel I <sup>2</sup> C bus interface (IIC) conforms with and provides a subset of the NXP I <sup>2</sup> C bus (Inter-Integrated Circuit) bus interface functions. See section 32, I <sup>2</sup> C Bus Interface (IIC) in User's Manual.
Serial Peripheral Interface (SPI)	Two independent Serial Peripheral Interface (SPI) channels are capable of high-speed, full-duplex synchronous serial communications with multiple processors and peripheral devices. See section 34, Serial Peripheral Interface (SPI) in User's Manual.
Serial Sound Interface Enhanced (SSIE)	The Serial Sound Interface Enhanced (SSIE) peripheral provides functionality to interface with digital audio devices for transmitting I <sup>2</sup> S (Inter-Integrated Sound) 2ch, 4ch, 6ch, 8ch, Word Select (WS) Continue/Monaural/TDM audio data over a serial bus. The SSIE supports an audio clock frequency of up to 50 MHz, and can be operated as a slave or master receiver, transmitter, or transceiver to suit various applications. The SSIE includes 32-stage FIFO buffers in the receiver and transmitter, and supports interrupts and DMA-driven data reception and transmission. See section 37, Serial Sound Interface Enhanced (SSIE) in User's Manual.
Quad Serial Peripheral Interface (QSPI)	The Quad Serial Peripheral Interface (QSPI) is a memory controller for connecting a serial ROM (nonvolatile memory such as a serial flash memory, serial EEPROM, or serial FeRAM) that has an SPI-compatible interface. See section 35, Quad Serial Peripheral Interface (QSPI) in User's Manual.
Controller Area Network (CAN) module	The Controller Area Network (CAN) module provides functionality to receive and transmit data using a message-based protocol between multiple slaves and masters in electromagnetically-noisy applications. The CAN module complies with the ISO 11898-1 (CAN 2.0A/CAN 2.0B) standard and supports up to 32 mailboxes, which can be configured for transmission or reception in normal mailbox and FIFO modes. Both standard (11-bit) and extended (29-bit) messaging formats are supported. See section 33, Controller Area Network (CAN) Module in User's Manual.
USB 2.0 Full-Speed Module (USBFS) module	The USB 2.0 Full-Speed (USBFS) module can operate as a host controller or device controller. The module supports full-speed and low-speed (host controller only) transfer as defined in the Universal Serial Bus Specification 2.0. The module has an internal USB transceiver and supports all of the transfer types defined in the Universal Serial Bus Specification 2.0. The USB has buffer memory for data transfer, providing a maximum of 10 pipes. Pipes 1 to 9 can be assigned any endpoint number based on the peripheral devices used for communication or based on your system. See section 29, USB 2.0 Full-Speed Module (USBFS) in User's Manual.

**Table 1.8 Communication interfaces (2 of 2)**

Feature	Functional description
SD/MMC Host Interface (SDHI)	The SDHI and MultiMediaCard (MMC) interface module provides the functionality required to connect a variety of external memory cards to the MCU. The SDHI supports both 1-bit and 4-bit buses for connecting memory cards that support SD, SDHC, and SDXC formats. When developing host devices that are compliant with the SD Specifications, you must comply with the SD Host/Ancillary Product License Agreement (SD HALA). The MMC interface supports 1-bit and 4-bit MMC buses that provide eMMC 4.51 (JEDEC Standard JESD 84-B451) device access. This interface also provides backward compatibility and supports high-speed SDR transfer modes. See section 39, SD/MMC Host Interface (SDHI) in User's Manual.

**Table 1.9 Analog**

Feature	Functional description
12-bit A/D Converter (ADC12)	Up to two successive approximation 12-bit A/D Converters (ADC12) are provided. In unit 0, up to 11 analog input channels are selectable. In unit 1, up to eight analog input channels, the temperature sensor output, and an internal reference voltage are selectable for conversion. The A/D conversion accuracy is selectable from 12-bit, 10-bit, and 8-bit conversion, making it possible to optimize the tradeoff between speed and resolution in generating a digital value. See section 42, 12-Bit A/D Converter (ADC12) in User's Manual.
12-bit D/A Converter (DAC12)	A 12-bit D/A Converter (DAC12) converts data and includes an output amplifier. See section 43, 12-Bit D/A Converter (DAC12) in User's Manual.
Temperature Sensor (TSN)	The on-chip Temperature Sensor (TSN) can determine and monitor the die temperature for reliable operation of the device. The sensor outputs a voltage directly proportional to the die temperature, and the relationship between the die temperature and the output voltage is linear. The output voltage is provided to the ADC12 for conversion and can also be used by the end application. See section 44, Temperature Sensor (TSN) in User's Manual.
High-Speed Analog Comparator (ACMPHS)	The High-Speed Analog Comparator (ACMPHS) compares a test voltage with a reference voltage and provides a digital output based on the conversion result. Both the test and reference voltages can be provided to the comparator from internal sources such as the DAC12 output and internal reference voltage, and an external source with or without an internal PGA. Such flexibility is useful in applications that require go/no-go comparisons to be performed between analog signals without necessarily requiring A/D conversion. See section 45, High-Speed Analog Comparator (ACMPHS) in User's Manual.

**Table 1.10 Human machine interfaces**

Feature	Functional description
Capacitive Touch Sensing Unit (CTSU)	The Capacitive Touch Sensing Unit (CTSU) measures the electrostatic capacitance of the touch sensor. Changes in the electrostatic capacitance are determined by software, which enables the CTSU to detect whether a finger is in contact with the touch sensor. The electrode surface of the touch sensor is usually enclosed with an electrical insulator so that a finger does not come into direct contact with the electrodes. See section 46, Capacitive Touch Sensing Unit (CTSU) in User's Manual.

**Table 1.11 Data processing (1 of 2)**

Feature	Functional description
Cyclic Redundancy Check (CRC) calculator	The Cyclic Redundancy Check (CRC) calculator generates CRC codes to detect errors in the data. The bit order of CRC calculation results can be switched for LSB-first or MSB-first communication. Additionally, various CRC-generating polynomials are available. The snoop function allows monitoring reads from and writes to specific addresses. This function is useful in applications that require CRC code to be generated automatically in certain events, such as monitoring writes to the serial transmit buffer and reads from the serial receive buffer. See section 36, Cyclic Redundancy Check (CRC) Calculator in User's Manual.
Data Operation Circuit (DOC)	The Data Operation Circuit (DOC) compares, adds, and subtracts 16-bit data. See section 47, Data Operation Circuit (DOC) in User's Manual.

**Table 1.11 Data processing (2 of 2)**

Feature	Functional description
Sampling Rate Converter (SRC)	The Sampling Rate Converter (SRC) converts the sampling rate of data produced by various audio decoders, such as the WMA, MP3, and AAC. Both 16-bit stereo and monaural data are supported. See section 38, Sampling Rate Converter (SRC) in User's Manual.

**Table 1.12 Security**

Feature	Functional description
Secure Crypto Engine 7 (SCE7)	<ul style="list-style-type: none"> <li>• Security algorithms: <ul style="list-style-type: none"> <li>- Symmetric algorithms: AES, 3DES, and ARC4</li> <li>- Asymmetric algorithms: RSA, DSA, and ECC.</li> </ul> </li> <li>• Other support features: <ul style="list-style-type: none"> <li>- TRNG (True Random Number Generator)</li> <li>- Hash-value generation: SHA1, SHA224, SHA256, GHASH, and MD5</li> <li>- 128-bit unique ID.</li> </ul> </li> </ul>

## 1.2 Block Diagram

Figure 1.1 shows a block diagram of the MCU superset, some individual devices within the group have a subset of the features.



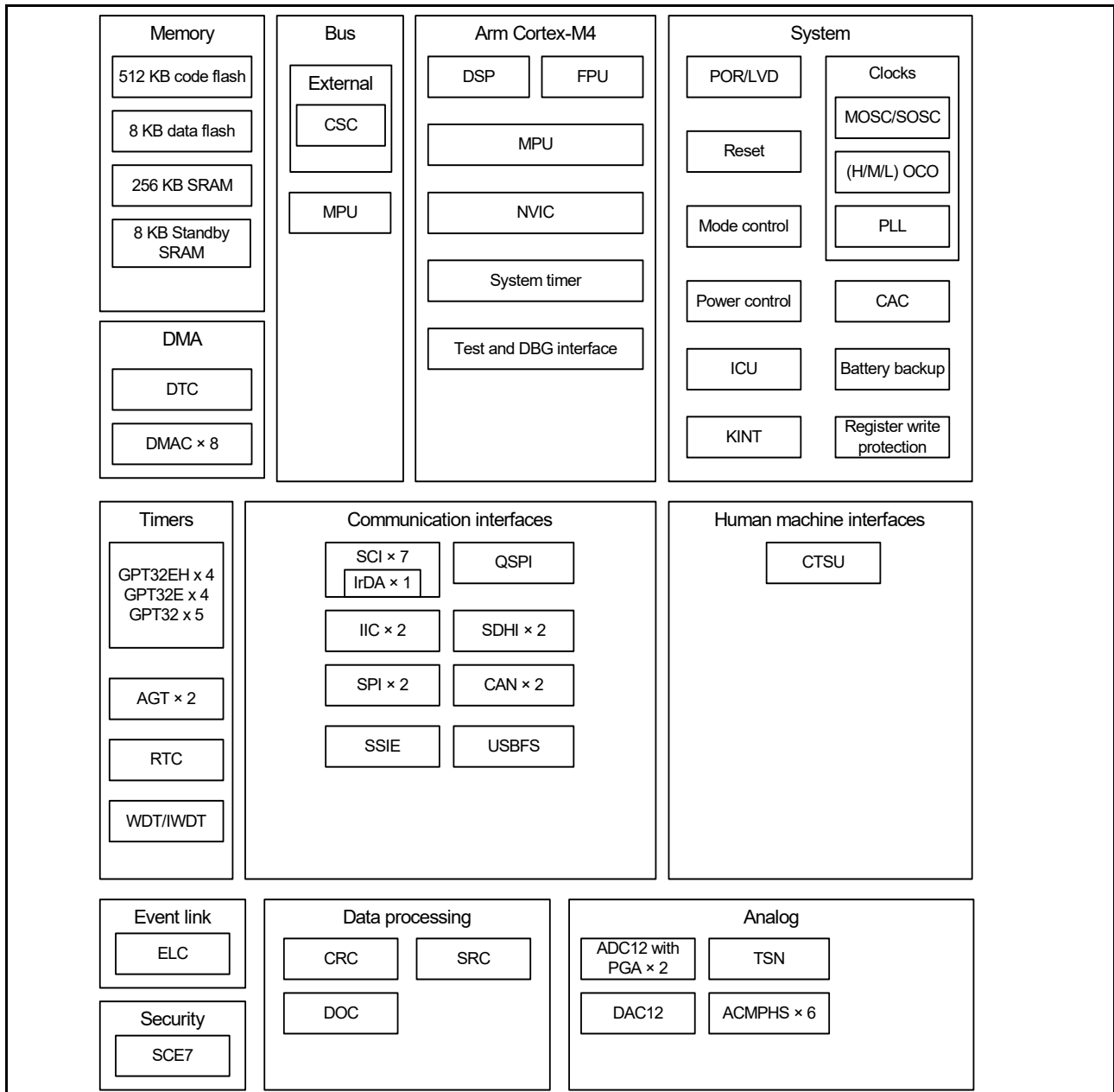


Figure 1.1 Block diagram

### 1.3 Part Numbering

Figure 1.2 shows the product part number information, including memory capacity, and package type. Table 1.13 shows a list of products.

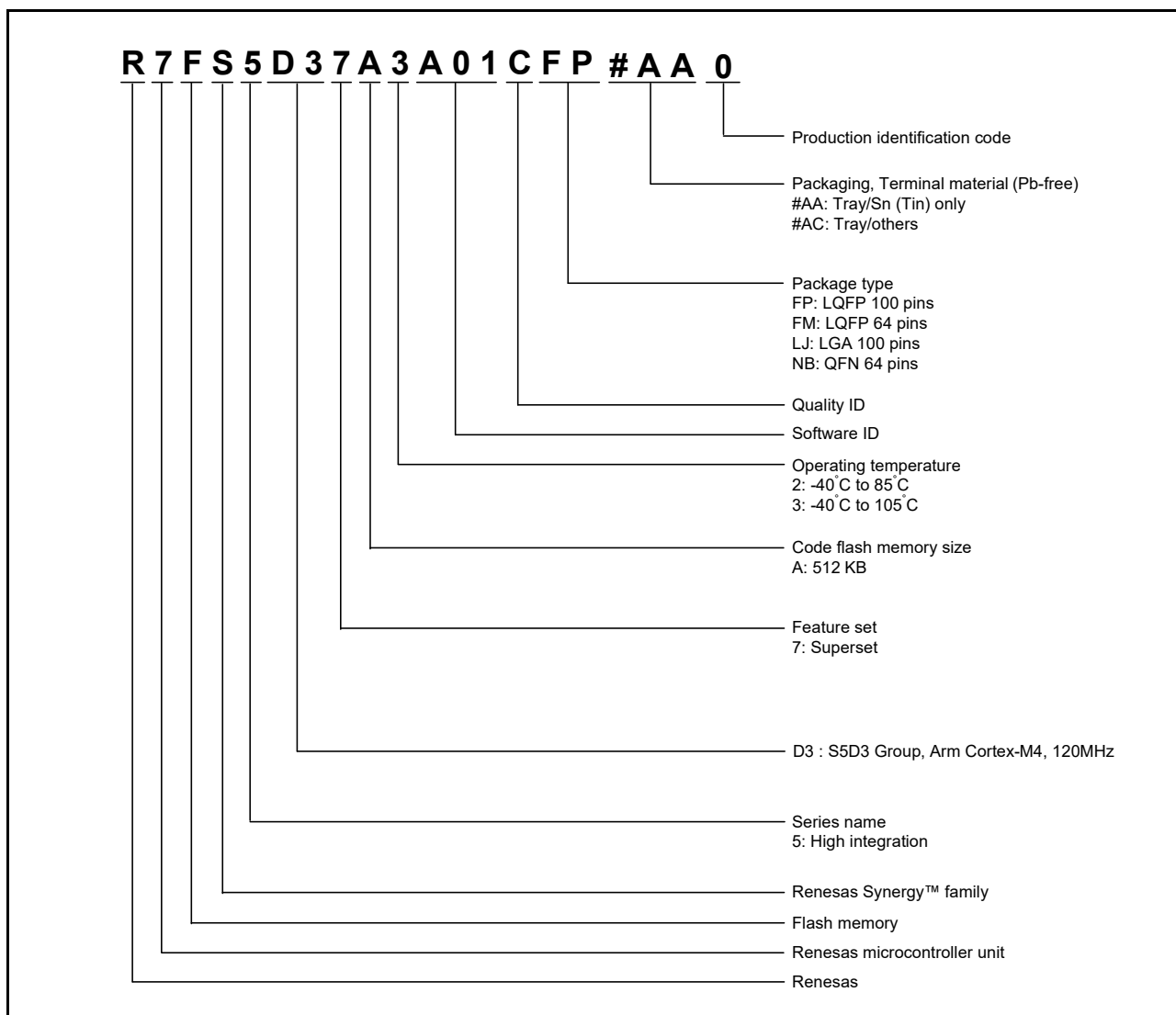


Figure 1.2 Part numbering scheme

Table 1.13 Product list

Product part number	Orderable part number	Package code	Code flash	Data flash	SRAM	Operating temperature
R7FS5D37A2A01CLJ	R7FS5D37A2A01CLJ#AC0	PTLG0100JA-A	512 KB	8 KB	256 KB	-40 to +85°C
R7FS5D37A3A01CFP	R7FS5D37A3A01CFP#AA0	PLQP0100KB-B				-40 to +105°C
R7FS5D37A3A01CFM	R7FS5D37A3A01CFM#AA0	PLQP0064KB-C				-40 to +105°C
R7FS5D37A3A01CNB	R7FS5D37A3A01CNB#AC0	PWQN0064LA-A				-40 to +105°C

## 1.4 Function Comparison

Table 1.14 Functional comparison

Function	Part numbers			
	R7FS5D37A2A01CLJ	R7FS5D37A3A01CFP	R7FS5D37A3A01CFM	R7FS5D37A3A01CNB
Pin count	100	100	64	64
Package	LGA	LQFP	LQFP	QFN
Code flash memory	512 KB			
Data flash memory	8 KB			
SRAM	256 KB			
	Parity	224 KB		
	ECC	32 KB		
Standby SRAM	8 KB			
System	CPU clock	120 MHz		
	Backup registers	512 B		
	ICU	Yes		
	KINT	8		
Event link	ELC	Yes		
DMA	DTC	Yes		
	DMAC	8		
BUS	External bus	8-bit bus	No	
Timers	GPT32EH	4		
	GPT32E	4	3	
	GPT32	5	4	
	AGT	2		
	RTC	Yes		
	WDT/IWDT	Yes		
Communication	SCI	7		
	IIC	2		
	SPI	2		
	SSIE	1	No	
	QSPI	1		
	SDHI	2	No	
	CAN	2		
	USBFS	Yes		
Analog	ADC12	19	10	
	DAC12	2		
	ACMPHS	6		
	TSN	Yes		
HMI	CTSU	12	7	
Data processing	CRC	Yes		
	DOC	Yes		
	SRC	Yes		
Security	SCE7			

## 1.5 Pin Functions

**Table 1.15 Pin functions (1 of 4)**

Function	Signal	I/O	Description
Power supply	VCC	Input	Power supply pin. This is used as the digital power supply for the respective modules and internal voltage regulator, and used to monitor the voltage of the POR/LVD. Connect this pin to the system power supply. Connect it to VSS by a 0.1- $\mu$ F capacitor. Place the capacitor close to the pin.
	VCL0	-	Connect this pin to VSS through a 0.1- $\mu$ F smoothing capacitor close to each VCL pin. Stabilize the internal power supply.
	VCL	-	
	VSS	Input	Ground pin. Connect to the system power supply (0 V).
	VBATT	Input	Backup power pin
Clock	XTAL	Output	Pins for a crystal resonator. An external clock signal can be input through the EXTAL pin.
	EXTAL	Input	
	XCIN	Input	Input/output pins for the sub-clock oscillator. Connect a crystal resonator between XCOU and XCIN.
	XCOU	Output	
	EBCLK	Output	Outputs the external bus clock for external devices
	CLKOUT	Output	Clock output pin
Operating mode control	MD	Input	Pin for setting the operating mode. The signal level on this pin must not be changed during operation mode transition on release from the reset state.
System control	RES	Input	Reset signal input pin. The MCU enters the reset state when this signal goes low.
CAC	CACREF	Input	Measurement reference clock input pin
Interrupt	NMI	Input	Non-maskable interrupt request pin
	IRQ0 to IRQ13	Input	Maskable interrupt request pins
KINT	KR00 to KR07	Input	A key interrupt can be generated by inputting a falling edge to the key interrupt input pins
On-chip emulator	TMS	I/O	On-chip emulator or boundary scan pins
	TDI	Input	
	TCK	Input	
	TDO	Output	
	TCLK	Output	This pin outputs the clock for synchronization with the trace data
	TDATA0 to TDATA3	Output	Trace data output
	SWDIO	I/O	Serial wire debug data input/output pin
	SWCLK	Input	Serial wire clock pin
	SWO	Output	Serial wire trace output pin
	External bus interface	RD	Output
WR0		Output	Strobe signal indicating that writing to the external bus interface space is in progress, active-low
ALE		Output	Address latch signal when address/data multiplexed bus is selected
WAIT		Input	Input pin for wait request signals in access to the external space, active-low
CS0, CS1, CS4 to CS7		Output	Select signals for CS areas, active-low
A00 to A12		Output	Address bus
D00 to D07		I/O	Data bus
A00/D00 to A07/D07		I/O	Address/data multiplexed bus

**Table 1.15 Pin functions (2 of 4)**

Function	Signal	I/O	Description
GPT	GTETRGA, GTETRGB, GTETRGC, GTETRGD	Input	External trigger input pins
	GTIOC0A to GTIOC12A, GTIOC0B to GTIOC12B	I/O	Input capture, output compare, or PWM output pins
	GTIU	Input	Hall sensor input pin U
	GTIV	Input	Hall sensor input pin V
	GTIW	Input	Hall sensor input pin W
	GTOUUP	Output	3-phase PWM output for BLDC motor control (positive U phase)
	GTOULO	Output	3-phase PWM output for BLDC motor control (negative U phase)
	GTOVUP	Output	3-phase PWM output for BLDC motor control (positive V phase)
	GTOVLO	Output	3-phase PWM output for BLDC motor control (negative V phase)
	GTOUWP	Output	3-phase PWM output for BLDC motor control (positive W phase)
	GTOVLO	Output	3-phase PWM output for BLDC motor control (negative W phase)
	AGT	AGTEE0, AGTEE1	Input
AGTIO0, AGTIO1		I/O	External event input and pulse output pins
AGTO0, AGTO1		Output	Pulse output pins
AGTOA0, AGTOA1		Output	Output compare match A output pins
AGTOB0, AGTOB1		Output	Output compare match B output pins
RTC	RTCOUT	Output	Output pin for 1-Hz or 64-Hz clock
	RTCIC0 to RTCIC2	Input	Time capture event input pins
SCI	SCK0 to SCK4, SCK8, SCK9	I/O	Input/output pins for the clock (clock synchronous mode)
	RXD0 to RXD4, RXD8, RXD9	Input	Input pins for received data (asynchronous mode/clock synchronous mode)
	TXD0 to TXD4, TXD8, TXD9	Output	Output pins for transmitted data (asynchronous mode/clock synchronous mode)
	CTS0_RTS0 to CTS4_RTS4, CTS8_RTS8, CTS9_RTS9	I/O	Input/output pins for controlling the start of transmission and reception (asynchronous mode/clock synchronous mode), active-low
	SCL0 to SCL4, SCL8, SCL9	I/O	Input/output pins for the IIC clock (simple IIC mode)
	SDA0 to SDA4, SDA8, SDA9	I/O	Input/output pins for the IIC data (simple IIC mode)
	SCK0 to SCK4, SCK8, SCK9	I/O	Input/output pins for the clock (simple SPI mode)
	MISO0 to MISO4, MISO8, MISO9	I/O	Input/output pins for slave transmission of data (simple SPI mode)
	MOSI0 to MOSI4, MOSI8, MOSI9	I/O	Input/output pins for master transmission of data (simple SPI mode)
	SS0 to SS4, SS8, SS9	Input	Chip-select input pins (simple SPI mode), active-low
IIC	SCL0, SCL1	I/O	Input/output pins for the clock
	SDA0, SDA1	I/O	Input/output pins for data
SSIE	SSIBCK0	I/O	SSIE serial bit clock pins
	SSILRCK0/SSIFS0	I/O	LR clock/frame synchronization pins
	SSITXD0	Output	Serial data output pins
	SSIRXD0	Input	Serial data input pins
	AUDIO_CLK	Input	External clock pin for audio (input oversampling clock)

**Table 1.15 Pin functions (3 of 4)**

Function	Signal	I/O	Description
SPI	RSPCKA, RSPCKB	I/O	Clock input/output pin
	MOSIA, MOSIB	I/O	Input or output pins for data output from the master
	MISOA, MISOB	I/O	Input or output pins for data output from the slave
	SSLA0, SSLB0	I/O	Input or output pin for slave selection
	SSLA1 to SSLA3, SSLB1 to SSLB3	Output	Output pins for slave selection
QSPI	QSPCLK	Output	QSPI clock output pin
	QSSL	Output	QSPI slave output pin
	QIO0 to QIO3	I/O	Data0 to Data3
CAN	CRX0, CRX1	Input	Receive data
	CTX0, CTX1	Output	Transmit data
USBFS	VCC_USB	Input	Power supply pins
	VSS_USB	Input	Ground pins
	USB_DP	I/O	D+ I/O pin of the USB on-chip transceiver. Connect this pin to the D+ pin of the USB bus
	USB_DM	I/O	D- I/O pin of the USB on-chip transceiver. Connect this pin to the D- pin of the USB bus
	USB_VBUS	Input	USB cable connection monitor pin. Connect this pin to VBUS of the USB bus. The VBUS pin status (connected or disconnected) can be detected when the USB module is operating as a device controller.
	USB_EXICEN	Output	Low-power control signal for external power supply (OTG) chip
	USB_VBUSEN	Output	VBUS (5 V) supply enable signal for external power supply chip
	USB_OVRCURA, USB_OVRCURB	Input	Connect the external overcurrent detection signals to these pins. Connect the VBUS comparator signals to these pins when the OTG power supply chip is connected.
SDHI	SD0CLK, SD1CLK	Output	SD clock output pins
	SD0CMD, SD1CMD	I/O	Command output pin and response input signal pins
	SD0DAT0 to SD0DAT3, SD1DAT0 to SD1DAT3	I/O	SD and MMC data bus pins
	SD0CD	Input	SD card detection pins
	SD0WP	Input	SD write-protect signals
	Analog power supply	AVCC0	Input
AVSS0		Input	Analog ground pin. This is used as the analog ground for the respective modules. Supply this pin with the same voltage as the VSS pin.
VREFH0		Input	Analog reference voltage supply pin for the ADC12 (unit 0). Connect this pin to VCC when not using the ADC12 (unit 0) and sample-and-hold circuit for AN000 to AN002.
VREFL0		Input	Analog reference ground pin for the ADC12. Connect this pin to VSS when not using the ADC12 (unit 0) and sample-and-hold circuit for AN000 to AN002
VREFH		Input	Analog reference voltage supply pin for the ADC12 (unit 1) and D/A Converter. Connect this pin to VCC when not using the ADC12 (unit 1), sample-and-hold circuit for AN100 to AN102, and D/A Converter.
VREFL		Input	Analog reference ground pin for the ADC12 and D/A Converter. Connect this pin to VSS when not using the ADC12 (unit 1), sample-and-hold circuit for AN100 to AN102, and D/A Converter.

**Table 1.15 Pin functions (4 of 4)**

Function	Signal	I/O	Description
ADC12	AN000 to AN003, AN005 to AN007, AN016 to AN018, AN020	Input	Input pins for the analog signals to be processed by the ADC12
	AN100 to AN102, AN105 to AN107, AN116, AN117	Input	
	ADTRG0	Input	Input pins for the external trigger signals that start the A/D conversion
	ADTRG1	Input	
	PGAVSS000, PGAVSS100	Input	Differential input pins
DAC12	DA0, DA1	Output	Output pins for the analog signals processed by the D/A converter
ACMPHS	VCOUT	Output	Comparator output pin
	IVREF0 to IVREF3	Input	Reference voltage input pins for comparator
	IVCMP0 to IVCMP3	Input	Analog voltage input pins for comparator
CTSU	TS01 to TS12	Input	Capacitive touch detection pins (touch pins)
	TSCAP	-	Secondary power supply pin for the touch driver
I/O ports	P000 to P007	Input	General-purpose input pins
	P008, P014, P015	I/O	General-purpose input/output pins
	P100 to P115	I/O	General-purpose input/output pins
	P200	Input	General-purpose input pin
	P201, P205 to P214	I/O	General-purpose input/output pins
	P300 to P307	I/O	General-purpose input/output pins
	P400 to P415	I/O	General-purpose input/output pins
	P500 to P504, P508	I/O	General-purpose input/output pins
	P600 to P602, P608 to P610	I/O	General-purpose input/output pins
	P708	I/O	General-purpose input/output pin

## 1.6 Pin Assignments

Figure 1.3 to Figure 1.6 show the pin assignments.

R7FS5D37A2A01CLJ											
	A	B	C	D	E	F	G	H	J	K	
10	P407	P409	P412	VCC	P212/ EXTAL	XCOUT	VLCL0	P403	P400	P000	10
9	USB_DM	USB_DP	P411	VSS	P213/ XTAL	XCIN	VBATT	P405	P401	P001	9
8	VCC_ USB	VSS_ USB	P207	P413	P415	P708	P404	P003	P004	P002	8
7	P205	P214	P206	P408	P414	P406	P006	P007	P008	P005	7
6	P209	P208	P210	P211	P410	P402	P508	AVSS0	VREFL0	VREFH0	6
5	P200	P201/MD	P307	RES	P113	P600	P504	AVCC0	VREFL	VREFH	5
4	VCC	P304	P305	P306	P115	P601	P503	P100	P015	P014	4
3	VSS	P303	P110/TDI	P111	P609	P602	P107	P103	VSS	VCC	3
2	P300/ TCK/ SWCLK	P302	P301	P114	P610	VSS	P106	P101	P501	P502	2
1	P108/ TMS/ SWDIO	P109/ TDO	P112	P608	VCC	VCL	P105	P104	P102	P500	1
	A	B	C	D	E	F	G	H	J	K	

Figure 1.3 Pin assignment for 100-pin LGA (top view)



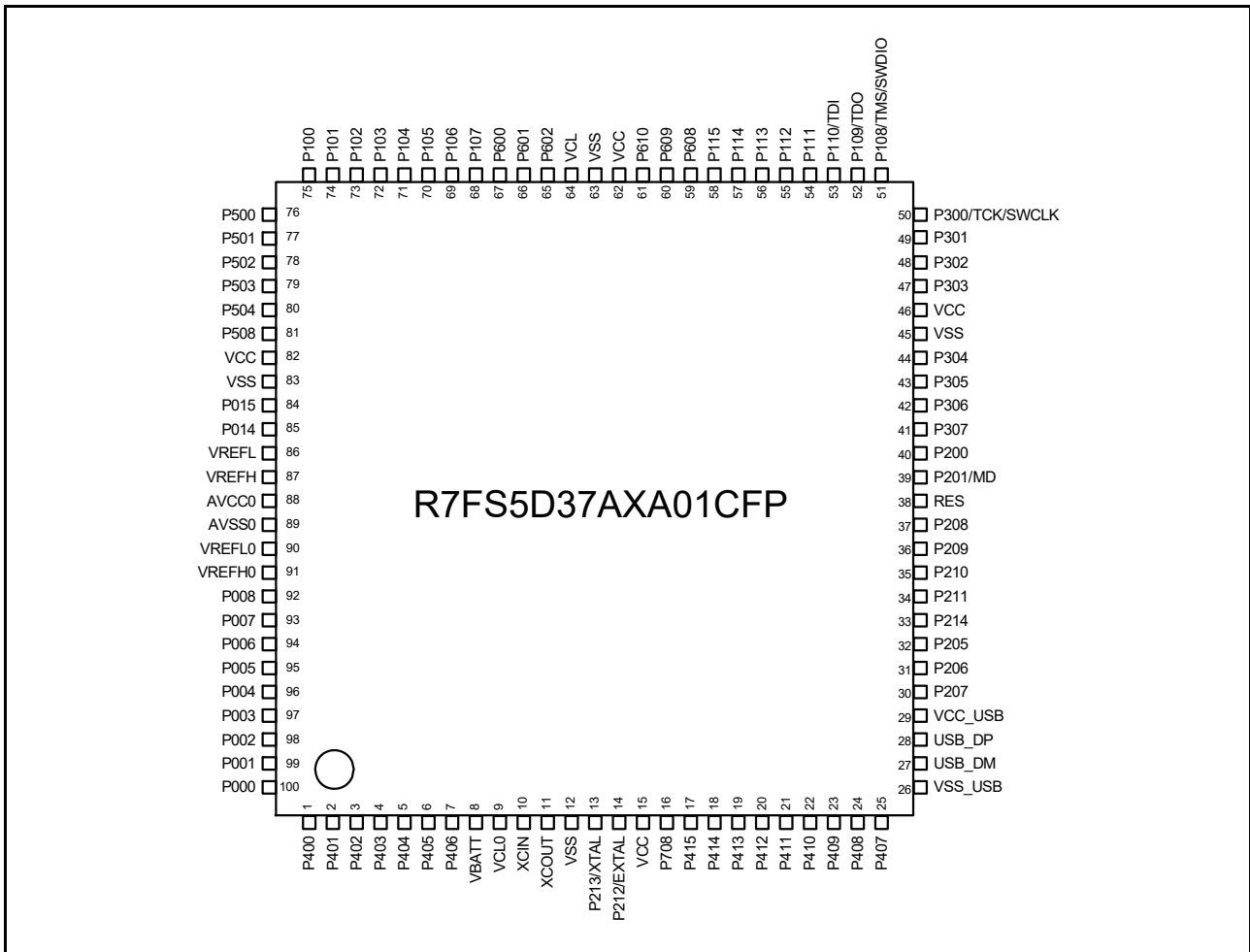


Figure 1.4 Pin assignment for 100-pin LQFP (top view)

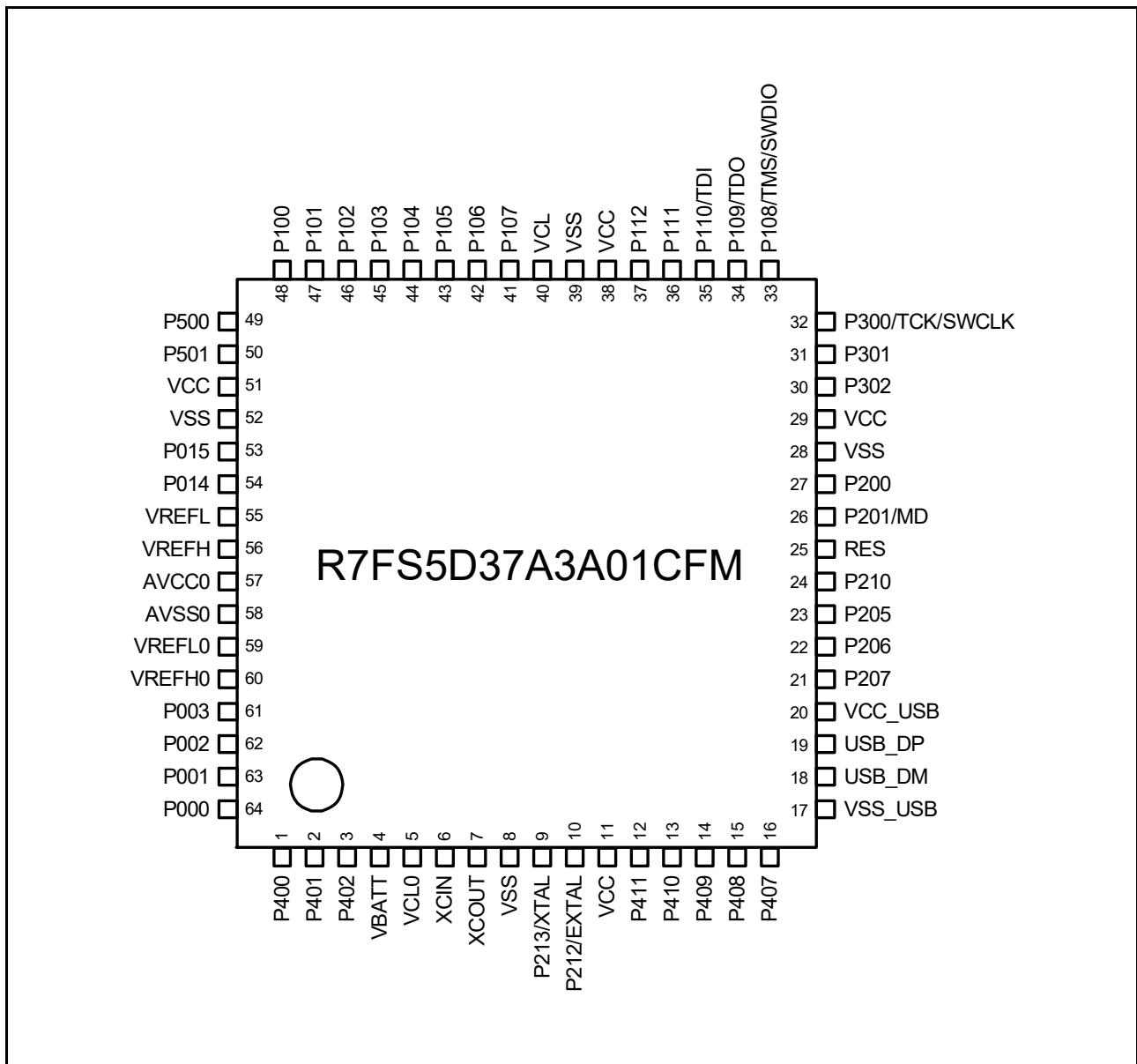


Figure 1.5 Pin assignment for 64-pin LQFP (top view)

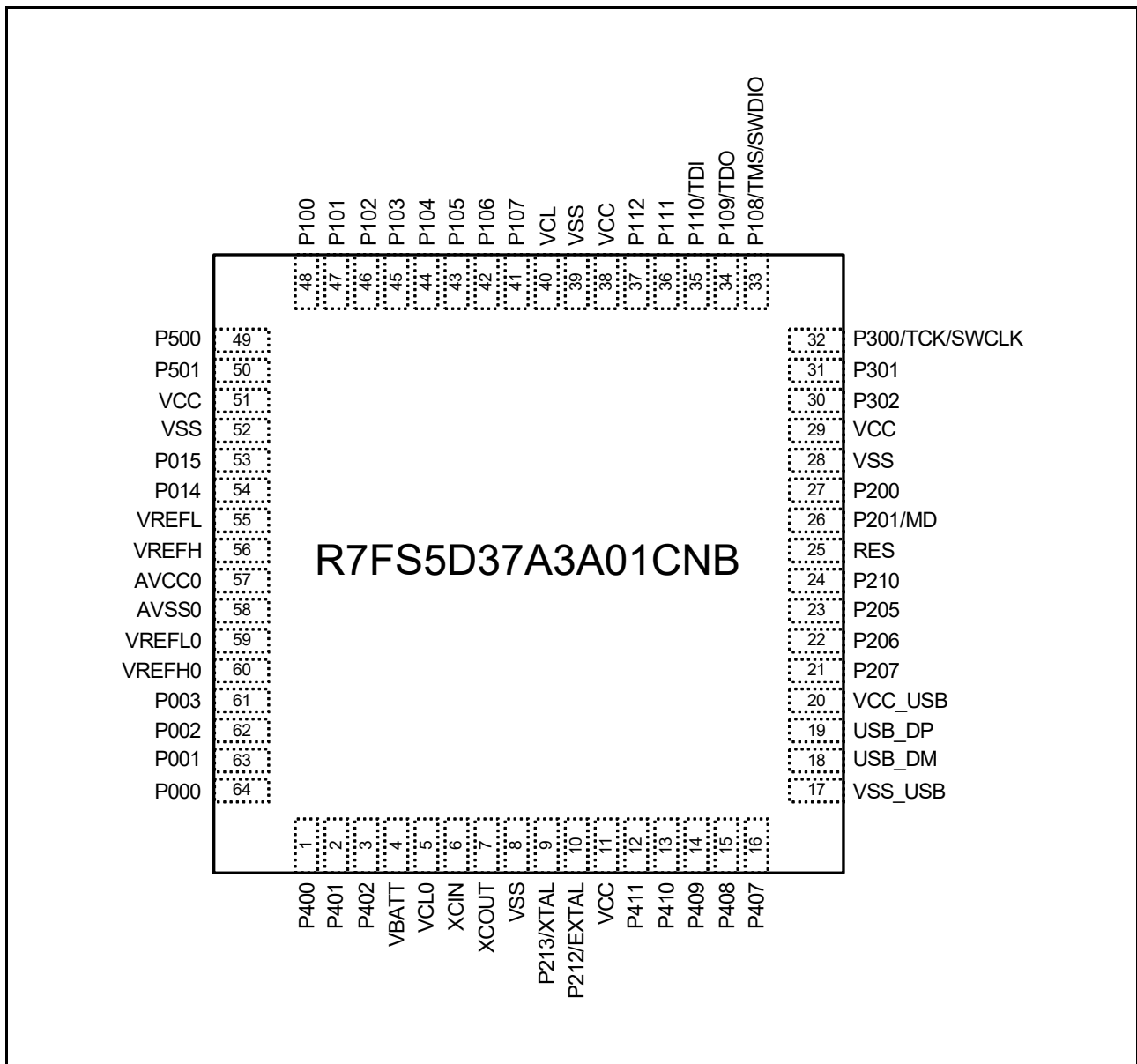


Figure 1.6 Pin assignment for 64-pin QFN (top view)

1.7 Pin Lists

Pin number	Power, System, Clock, Debug, CAC				Interrupt	I/O port	External bus	Timers				Communication interfaces							Analog		HMI
	LGA100	LQFP100	LQFP64	QFN64				AGT	GPT	GPT	RTC	USBFS, CAN	SCI0,2,4,8 (30 MHz)	SCI1,3,9 (30 MHz)	IIC	SPI, QSPI	SSIE	SDHI	ADC12	DAC12, ACMPHS	CTSU
J10	1	1	1	-	IRQ0	P400	-	AGTIO1	-	GTIOC6 A	-	-	SCK4	-	SCL0_A	-	AUDIO_CLK	-	ADTRG1	-	-
J9	2	2	2	-	IRQ5-DS	P401	-	GTETRGA	GTIOC6 B	-	CTX0	CTS4_RT S4/SS4	-	SDA0_A	-	-	-	-	-	-	-
F6	3	3	3	CACREF	IRQ4-DS	P402	-	AGTIO0/AGTIO1	-	RTCI C0	CRX0	-	-	-	-	AUDIO_CLK	-	-	-	-	
H10	4	-	-	-	-	P403	-	AGTIO0/AGTIO1	GTIOC3 A	RTCI C1	-	-	-	-	-	SSIBCK_0_A	-	-	-	-	
G8	5	-	-	-	-	P404	-	-	GTIOC3 B	RTCI C2	-	-	-	-	-	SSILRC K0/SSIF S0_A	-	-	-	-	
H9	6	-	-	-	-	P405	-	-	GTIOC1 A	-	-	-	-	-	-	SSITXD_0_A	-	-	-	-	
F7	7	-	-	-	-	P406	-	-	GTIOC1 B	-	-	-	-	-	-	SSIRXD_0_A	-	-	-	-	
G9	8	4	4	VBATT	-	-	-	-	-	-	-	-	-	-	-	-	-	-	-	-	
G10	9	5	5	VCL0	-	-	-	-	-	-	-	-	-	-	-	-	-	-	-	-	
F9	10	6	6	XCIN	-	-	-	-	-	-	-	-	-	-	-	-	-	-	-	-	
F10	11	7	7	XCOUT	-	-	-	-	-	-	-	-	-	-	-	-	-	-	-	-	
D9	12	8	8	VSS	-	-	-	-	-	-	-	-	-	-	-	-	-	-	-	-	
E9	13	9	9	XTAL	IRQ2	P213	-	GTETRGC	GTIOC0 A	-	-	-	TXD1/MO S11/SDA1	-	-	-	-	ADTRG1	-	-	
E10	14	10	10	EXTAL	IRQ3	P212	-	AGTEE1	GTETRGD	GTIOC0 B	-	-	RXD1/MIS O1/SCL1	-	-	-	-	-	-	-	
D10	15	11	11	VCC	-	-	-	-	-	-	-	-	-	-	-	-	-	-	-	-	
F8	16	-	-	CACREF	IRQ11	P708	-	-	-	-	-	-	RXD1/MIS O1/SCL1	SSLA3_B	AUDIO_CLK	-	-	-	-	TS12	
E8	17	-	-	-	IRQ8	P415	-	-	GTIOC0 A	USB_V BUSEN	-	-	-	SSLA2_B	SD0CD	-	-	-	-	TS11	
E7	18	-	-	-	IRQ9	P414	-	-	GTIOC0 B	-	-	-	-	SSLA1_B	SD0WVP	-	-	-	-	TS10	
D8	19	-	-	-	-	P413	-	GTOUUP	-	-	-	CTS0_RT S0/SS0	-	SSLA0_B	SD0CLK_A	-	-	-	-	TS09	
C10	20	-	-	-	-	P412	-	AGTEE1	GTOULO	-	-	SCK0	-	RSPCK_A_B	SD0CMD_A	-	-	-	-	TS08	
C9	21	12	12	-	IRQ4	P411	-	AGTOA1	GTOVUP	GTIOC9 A	-	TXD0/MO S10/SDA0	CTS3_RT S3/SS3	MOSIA_B	SD0DAT_0_A	-	-	-	-	TS07	
E6	22	13	13	-	IRQ5	P410	-	AGTOB1	GTOVLO	GTIOC9 B	-	RXD0/MIS O0/SCL0	SCK3	MISOA_B	SD0DAT_1_A	-	-	-	-	TS06	
B10	23	14	14	-	IRQ6	P409	-	GTOUWP	GTIOC10 A	USB_E XICEN	-	TXD3/MO S13/SDA3	-	-	-	-	-	-	-	TS05	
D7	24	15	15	-	IRQ7	P408	-	GTOWLO	GTIOC10 B	USB_ID	-	RXD3/MIS O3/SCL3	SCL0_B	-	-	-	-	-	-	TS04	
A10	25	16	16	-	-	P407	-	AGTIO0	-	RTCO UT	USB_V BUS	CTS4_RT S4/SS4	-	SDA0_B	-	-	-	ADTRG0	-	TS03	
B8	26	17	17	VSS_USB	-	-	-	-	-	-	-	-	-	-	-	-	-	-	-	-	
A9	27	18	18	-	-	-	-	-	-	-	USB_D M	-	-	-	-	-	-	-	-	-	
B9	28	19	19	-	-	-	-	-	-	-	USB_D P	-	-	-	-	-	-	-	-	-	
A8	29	20	20	VCC_USB	-	-	-	-	-	-	-	-	-	-	-	-	-	-	-	-	
C8	30	21	21	-	-	P207	-	-	-	-	-	-	-	-	-	QSSL	-	-	-	TS02	
C7	31	22	22	-	IRQ0-DS	P206	WAIT	GTIU	-	USB_V BUSEN	RXD4/MIS O4/SCL4	-	SDA1_A	SD0DAT_2_A	-	-	-	-	-	TS01	
A7	32	23	23	CLKOUT	IRQ1-DS	P205	-	AGTO1	GTIV	GTIOC4 A	USB_O VRCUR A-DS	TXD4/MO S14/SDA4	CTS9_RT S9/SS9	SCL1_A	SD0DAT_3_A	-	-	-	-	TSCAP	
B7	33	-	-	TRCLK	-	P214	-	GTIU	-	-	-	-	-	-	QSPCL K	SD0CLK_B	-	-	-	-	
D6	34	-	-	TRDATA0	-	P211	CS7	GTIV	-	-	-	-	-	QIO0	SD0CMD_B	-	-	-	-	-	
C6	35	24	24	TRDATA1	-	P210	CS6	GTIW	-	-	-	-	-	QIO1	SD0CD	-	-	-	-	-	
A6	36	-	-	TRDATA2	-	P209	CS5	GTOVUP	-	-	-	-	-	QIO2	SD0WVP	-	-	-	-	-	
B6	37	-	-	TRDATA3	-	P208	CS4	GTOVLO	-	-	-	-	-	QIO3	SD0DAT_0_B	-	-	-	-	-	
D5	38	25	25	RES	-	-	-	-	-	-	-	-	-	-	-	-	-	-	-	-	
B5	39	26	26	MD	-	P201	-	-	-	-	-	-	-	-	-	-	-	-	-	-	
A5	40	27	27	-	NMI	P200	-	-	-	-	-	-	-	-	-	-	-	-	-	-	
C5	41	-	-	-	-	P307	A12	GTOUUP	-	-	-	-	-	QIO0	-	-	-	-	-	-	
D4	42	-	-	-	-	P306	A11	GTOULO	-	-	-	-	-	QSSL	-	-	-	-	-	-	
C4	43	-	-	-	IRQ8	P305	A10	GTOUWP	-	-	-	-	-	QSPCL K	-	-	-	-	-	-	
B4	44	-	-	-	IRQ9	P304	A09	GTOWLO	GTIOC7 A	-	-	-	-	-	-	-	-	-	-	-	
A3	45	28	28	VSS	-	-	-	-	-	-	-	-	-	-	-	-	-	-	-	-	
A4	46	29	29	VCC	-	-	-	-	-	-	-	-	-	-	-	-	-	-	-	-	
B3	47	-	-	-	-	P303	A08	-	GTIOC7 B	-	-	-	-	-	-	-	-	-	-	-	
B2	48	30	30	-	IRQ5	P302	A07	GTOUUP	GTIOC4 A	-	-	TXD2/MO S12/SDA2	-	SSLB3_B	-	-	-	-	-	-	
C2	49	31	31	-	IRQ6	P301	A06	AGTIO0	GTOULO	GTIOC4 B	-	RXD2/MIS O2/SCL2	CTS9_RT S9/SS9	SSLB2_B	-	-	-	-	-	-	
A2	50	32	32	TCK/SWCLK	-	P300	-	GTOUUP	GTIOC0 A_A	-	-	-	-	SSLB1_B	-	-	-	-	-	-	
A1	51	33	33	TMS/SWDIO	-	P108	-	GTOULO	GTIOC0 B_A	-	-	-	CTS9_RT S9/SS9	SSLB0_B	-	-	-	-	-	-	

Pin number	LGA100	LQFP100	LQFP64	QFN64	Power, System, Clock, Debug, CAC	Interrupt	I/O port	External bus	Timers				Communication interfaces							Analog		HMI					
									AGT	GPT	GPT	RTC	USBFS, CAN	SCI0,2,4,8 (30 MHz)	SCI1,3,9 (30 MHz)	IIC	SPI, QSPI	SSIE	SDHI	ADC12	DAC12, ACMPHS	CTSU					
B1	52	34	34		CLKOUT/DO/SWO		P109				GTOVUP	GTIOC1_A_A		CTX1		TXD9/MISO9/SDA9		MOSIB_B									
C3	53	35	35		TDI	IRQ3	P110				GTOVLO	GTIOC1_B_A		CRX1	CTS2_RT S2/SS2	RXD9/MISO9/SCL9		MISOB_B							VCOUT		
D3	54	36	36			IRQ4	P111	A05				GTIOC3_A_A			SCK2			RSPCK_B_B									
C1	55	37	37				P112	A04				GTIOC3_B_A			TXD2/MOSI2/SDA2			SSLB0_B		SSIBCK0_B							
E5	56						P113	A03				GTIOC2_A			RXD2/MISO2/SCL2					SSILRC K0/SSIF S0_B							
D2	57						P114	A02				GTIOC2_B								SSIRXD0_B							
E4	58						P115	A01				GTIOC4_A								SSITXD0_B							
D1	59						P608	A00				GTIOC4_B															
E3	60						P609	CS1				GTIOC5_A		CTX1													
E2	61						P610	CS0				GTIOC5_B		CRX1													
E1	62	38	38		VCC																						
F2	63	39	39		VSS																						
F1	64	40	40		VCL																						
F3	65						P602	EBCLK				GTIOC7_B				TXD9											
F4	66						P601	WR0				GTIOC6_A				RXD9											
F5	67				CLKOUT/CACREF		P600	RD				GTIOC6_B				SCK9											
G3	68	41	41			KR07	P107	D07[A07/D07]	AGTOA0			GTIOC8_A			CTS8_RT S8/SS8			QIO3									
G2	69	42	42			KR06	P106	D06[A06/D06]	AGTOB0			GTIOC8_B			SCK8				SSLA3_A/QIO2								
G1	70	43	43			IRQ0/KR05	P105	D05[A05/D05]			GTETRGA	GTIOC1_A			TXD8/MOSI8/SDA8				SSLA2_A/QIO1								
H1	71	44	44			IRQ1/KR04	P104	D04[A04/D04]			GTETRGB	GTIOC1_B			RXD8/MISO8/SCL8				SSLA1_A/QIO0								
H3	72	45	45			KR03	P103	D03[A03/D03]			GTOWUP	GTIOC2_A_A		CTX0	CTS0_RT S0/SS0				SSLA0_A								
J1	73	46	46			KR02	P102	D02[A02/D02]	AGTO0	GTOWLO	GTIOC2_B_A		CRX0	SCK0				RSPCK_A_A						ADTRG0			
H2	74	47	47			IRQ1/KR01	P101	D01[A01/D01]	AGTEE0	GTETRGB	GTIOC5_A			TXD0/MOSI0/SDA0	CTS1_RT S1/SS1	SDA1_B	MOSIA_A										
H4	75	48	48			IRQ2/KR00	P100	D00[A00/D00]	AGTIO0	GTETRGA	GTIOC5_B			RXD0/MISO0/SCL0	SCK1	SCL1_B	MISOA_A										
K1	76	49	49				P500		AGTOA0	GTIU	GTIOC11_A		USB_VBUSEN					QSPCLK		SD1CLK_A	AN016	IVREF0					
J2	77	50	50			IRQ11	P501		AGTOB0	GTIV	GTIOC11_B		USB_OVRCUR_A					QSSL		SD1CMD_A	AN116	IVREF1					
K2	78					IRQ12	P502			GTIW	GTIOC12_A		USB_OVRCUR_B					QIO0		SD1DAT0_A	AN017	IVCMP0					
G4	79						P503			GTETRGC	GTIOC12_B		USB_EXICEN					QIO1		SD1DAT1_A	AN117						
G5	80						P504	ALE		GTETRGD			USB_ID					QIO2		SD1DAT2_A	AN018						
G6	81						P508													SD1DAT3_A	AN020						
K3	82	51	51		VCC																						
J3	83	52	52		VSS																						
J4	84	53	53			IRQ13	P015														AN006/AN106	DA1/IVCMP1					
K4	85	54	54				P014														AN005/AN105	DA0/IVREF3					
J5	86	55	55		VREFL																						
K5	87	56	56		VREFH																						
H5	88	57	57		AVCC0																						
H6	89	58	58		AVSS0																						
J6	90	59	59		VREFL0																						
K6	91	60	60		VREFH0																						
J7	92					IRQ12-DS	P008																				
H7	93						P007																				
G7	94					IRQ11-DS	P006														PGAVSS100/AN107						
K7	95					IRQ10-DS	P005														AN102	IVCMP2					
J8	96					IRQ9-DS	P004														AN101	IVCMP2					
H8	97	61	61				P003														AN100	IVCMP2					
K8	98	62	62			IRQ8-DS	P002														PGAVSS00/AN007						
																					AN002	IVCMP2					

Pin number	Pin number				Power, System, Clock, Debug, CAC	Interrupt	I/O port	External bus	Timers				Communication interfaces						Analog		HMI
	LGA100	LQFP100	LQFP64	QFN64					AGT	GPT	GPT	RTC	USBFS, CAN	SCI0,2,4,8 (30 MHz)	SCI1,3,9 (30 MHz)	IIC	SPI, QSPI	SSIE	SDHI	ADC12	DAC12, ACMPHS
K9	99	63	63		IRQ7-DS	P001	-	-	-	-	-	-	-	-	-	-	-	-	AN001	IVCMP2	-
K10	100	64	64		IRQ6-DS	P000	-	-	-	-	-	-	-	-	-	-	-	-	AN000	IVCMP2	-

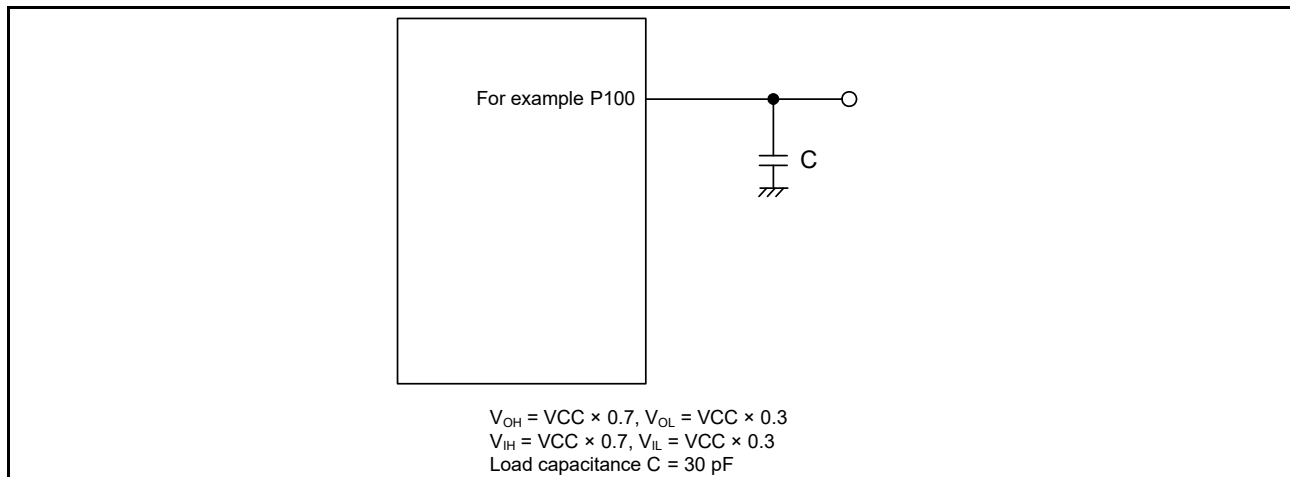
Note: Some pin names have the added suffix of \_A and \_B. When assigning the GPT, IIC, SPI, SSIE, and SDHI functionality, select the functional pins with the same suffix.

## 2. Electrical Characteristics

Unless otherwise specified, the electrical characteristics of the MCU are defined under the following conditions:

- $VCC = AVCC0 = VCC\_USB = VBATT = 2.7$  to  $3.6$  V
- $2.7 \leq VREFH0/VREFH \leq AVCC0$
- $VSS = AVSS0 = VREFL0/VREFL = VSS\_USB = 0$  V
- $T_a = T_{opr}$

Figure 2.1 shows the timing conditions.



**Figure 2.1** Input or output timing measurement conditions

The measurement conditions for the timing specification of each peripheral are recommended for the best peripheral operation. However, make sure to adjust the driving abilities of each pin to meet the conditions of your system.

Each function pin used for the same function must select the same drive ability. If the I/O drive ability of each function pin is mixed, the A/C specification of each function is not guaranteed.

### 2.1 Absolute Maximum Ratings

**Table 2.1** Absolute maximum ratings

Parameter	Symbol	Value	Unit
Power supply voltage	$VCC, VCC\_USB$ *2	-0.3 to +4.0	V
VBATT power supply voltage	VBATT	-0.3 to +4.0	V
Input voltage (except for 5 V-tolerant ports*1)	$V_{in}$	-0.3 to $VCC + 0.3$	V
Input voltage (5 V-tolerant ports*1)	$V_{in}$	-0.3 to $+VCC + 4.0$ (max. 5.8)	V
Reference power supply voltage	$VREFH/VREFH0$	-0.3 to $AVCC0 + 0.3$	V
Analog power supply voltage	$AVCC0$ *2	-0.3 to +4.0	V
Analog input voltage (except for P000 to P007)	$V_{AN}$	-0.3 to $AVCC0 + 0.3$	V
Analog input voltage (P000 to P007) when PGA differential input is disabled	$V_{AN}$	-0.3 to $AVCC0 + 0.3$	V
Analog input voltage (P000 to P002, P004 to P006) when PGA differential input is enabled	$V_{AN}$	-1.3 to $AVCC0 + 0.3$	V
Analog input voltage (P003, P007) when PGA differential input is enabled	$V_{AN}$	-0.8 to $AVCC0 + 0.3$	V
Operating temperature*3, *4, *5	$T_{opr}$	-40 to +85 -40 to +105	°C
Storage temperature	$T_{stg}$	-55 to +125	°C

**Caution:** Permanent damage to the MCU might result if absolute maximum ratings are exceeded.

- Note 1. Ports P205, P206, P400, P401, P407 to P415, and P708 are 5 V tolerant.
- Note 2. Connect AVCC0 and VCC\_USB to VCC.
- Note 3. See [section 2.2.1, T<sub>j</sub>/T<sub>a</sub> Definition](#).
- Note 4. Contact Renesas Electronics sales office for information on derating operation when T<sub>a</sub> = +85°C to +105°C. Derating is the systematic reduction of load for improved reliability.
- Note 5. The upper limit of operating temperature is +85°C or +105°C, depending on the product. For details, see [section 1.3, Part Numbering](#).

**Table 2.2 Recommended operating conditions**

Parameter	Symbol	Value	Min	Typ	Max	Unit
Power supply voltages	VCC	When USB is not used	2.7	-	3.6	V
		When USB is used	3.0	-	3.6	V
	VSS		-	0	-	V
USB power supply voltages	VCC_USB		-	VCC	-	V
	VSS_USB		-	0	-	V
VBATT power supply voltage	VBATT		1.8	-	3.6	V
Analog power supply voltages	AVCC0*1		-	VCC	-	V
	AVSS0		-	0	-	V

- Note 1. Connect AVCC0 to VCC. When the A/D converter, the D/A converter, or the comparator are not in use, do not leave the AVCC0, VREFH/VREFH0, AVSS0, and VREFL/VREFL0 pins open. Connect the AVCC0 and VREFH/VREFH0 pins to VCC, and the AVSS0 and VREFL/VREFL0 pins to VSS, respectively.

## 2.2 DC Characteristics

### 2.2.1 T<sub>j</sub>/T<sub>a</sub> Definition

**Table 2.3 DC characteristics**

Conditions: Products with operating temperature (T<sub>a</sub>) -40 to +105°C.

Parameter		Symbol	Typ	Max	Unit	Test conditions
Permissible junction temperature	100-pin LQFP	T <sub>j</sub>	-	125	°C	High-speed mode Low-speed mode Subosc-speed mode.
	64-pin LQFP			117		
	64-pin QFN			105		
	100-pin LGA			105		

- Note: Make sure that  $T_j = T_a + \theta_{ja} \times \text{total power consumption (W)}$ ,  
 where total power consumption =  $(V_{CC} - V_{OH}) \times \Sigma I_{OH} + V_{OL} \times \Sigma I_{OL} + I_{CCmax} \times V_{CC}$ .  
 The upper limit of operating temperature is +85°C or +105°C, depending on the product. For details, see [section 1.3, Part Numbering](#).

### 2.2.2 I/O V<sub>IH</sub>, V<sub>IL</sub>

**Table 2.4 I/O V<sub>IH</sub>, V<sub>IL</sub> (1 of 2)**

Parameter			Symbol	Min	Typ	Max	Unit
Input voltage (except for Schmitt trigger input pins)	Peripheral function pin	EXTAL(external clock input), WAIT, SPI (except RSPCK)	V <sub>IH</sub>	VCC × 0.8	-	-	V
			V <sub>IL</sub>	-	-	VCC × 0.2	
	D00 to D07	V <sub>IH</sub>	VCC × 0.7	-	-		
		V <sub>IL</sub>	-	-	VCC × 0.3		
	IIC (SMBus)*1	V <sub>IH</sub>	2.1	-	-		
		V <sub>IL</sub>	-	-	0.8		
	IIC (SMBus)*2	V <sub>IH</sub>	2.1	-	VCC + 3.6 (max 5.8)		
		V <sub>IL</sub>	-	-	0.8		



Table 2.4 I/O  $V_{IH}$ ,  $V_{IL}$  (2 of 2)

Parameter			Symbol	Min	Typ	Max	Unit	
Schmitt trigger input voltage	Peripheral function pin	IIC (except for SMBus)*1		$V_{IH}$	$VCC \times 0.7$	-	-	V
				$V_{IL}$	-	-	$VCC \times 0.3$	
				$\Delta V_T$	$VCC \times 0.05$	-	-	
		IIC (except for SMBus)*2		$V_{IH}$	$VCC \times 0.7$	-	$VCC + 3.6$ (max 5.8)	V
				$V_{IL}$	-	-	$VCC \times 0.3$	
				$\Delta V_T$	$VCC \times 0.05$	-	-	
		5 V-tolerant ports*3, *7		$V_{IH}$	$VCC \times 0.8$	-	$VCC + 3.6$ (max 5.8)	V
				$V_{IL}$	-	-	$VCC \times 0.2$	
				$\Delta V_T$	$VCC \times 0.05$	-	-	
	RTCIC0, RTCIC1, RTCIC2		When using the battery backup function	When VBATT power supply is selected	$V_{IH}$	$VBATT \times 0.8$	-	$VBATT + 0.3$
					$V_{IL}$	-	-	$VBATT \times 0.2$
					$\Delta V_T$	$VBATT \times 0.05$	-	-
			When VCC power supply is selected		$V_{IH}$	$VCC \times 0.8$	-	Higher voltage either $VCC + 0.3$ V or $VBATT + 0.3$ V
					$V_{IL}$	-	-	$VCC \times 0.2$
					$\Delta V_T$	$VCC \times 0.05$	-	-
	When not using the battery backup function		$V_{IH}$	$VCC \times 0.8$	-	$VCC + 0.3$		
			$V_{IL}$	-	-	$VCC \times 0.2$		
			$\Delta V_T$	$VCC \times 0.05$	-	-		
	Other input pins*4		$V_{IH}$	$VCC \times 0.8$	-	-		
			$V_{IL}$	-	-	$VCC \times 0.2$		
			$\Delta V_T$	$VCC \times 0.05$	-	-		
Ports	5 V-tolerant ports*5, *7		$V_{IH}$	$VCC \times 0.8$	-	$VCC + 3.6$ (max 5.8)	V	
			$V_{IL}$	-	-	$VCC \times 0.2$		
	Other input pins*6		$V_{IH}$	$VCC \times 0.8$	-	-		
			$V_{IL}$	-	-	$VCC \times 0.2$		
			$\Delta V_T$	$VCC \times 0.05$	-	-		

Note 1. SCL1\_B, SDA1\_B (total 2 pins).

Note 2. SCL0\_A, SDA0\_A, SCL0\_B, SDA0\_B, SCL1\_A, SDA1\_A (total 6 pins).

Note 3. RES and peripheral function pins associated with P205, P206, P400, P401, P407 to P415, P708 (total 15 pins).

Note 4. All input pins except for the peripheral function pins already described in the table.

Note 5. P205, P206, P400, P401, P407 to P415, P708 (total 14 pins).

Note 6. All input pins except for the ports already described in the table.

Note 7. When VCC is less than 2.7 V, the input voltage of 5 V-tolerant ports should be less than 3.6 V, otherwise breakdown may occur because 5 V-tolerant ports are electrically controlled so as not to violate the breakdown voltage.

2.2.3 I/O  $I_{OH}$ ,  $I_{OL}$ Table 2.5 I/O  $I_{OH}$ ,  $I_{OL}$ 

Parameter			Symbol	Min	Typ	Max	Unit
Permissible output current (average value per pin)	Ports P008, P201	-	$I_{OH}$	-	-	-2.0	mA
			$I_{OL}$	-	-	2.0	mA
	Ports P014, P015	-	$I_{OH}$	-	-	-4.0	mA
			$I_{OL}$	-	-	4.0	mA
	Ports P205, P206, P407 to P415, P602, P708 (total 13 pins)	Low drive*1	$I_{OH}$	-	-	-2.0	mA
			$I_{OL}$	-	-	2.0	mA
		Middle drive*2	$I_{OH}$	-	-	-4.0	mA
			$I_{OL}$	-	-	4.0	mA
		High drive*3	$I_{OH}$	-	-	-20	mA
			$I_{OL}$	-	-	20	mA
	Other output pins*4	Low drive*1	$I_{OH}$	-	-	-2.0	mA
			$I_{OL}$	-	-	2.0	mA
		Middle drive*2	$I_{OH}$	-	-	-4.0	mA
			$I_{OL}$	-	-	4.0	mA
		High drive*3	$I_{OH}$	-	-	-16	mA
			$I_{OL}$	-	-	16	mA
Permissible output current (max value per pin)	Ports P008, P201	-	$I_{OH}$	-	-	-4.0	mA
			$I_{OL}$	-	-	4.0	mA
	Ports P014, P015	-	$I_{OH}$	-	-	-8.0	mA
			$I_{OL}$	-	-	8.0	mA
	Ports P205, P206, P407 to P415, P602, P708 (total 13 pins)	Low drive*1	$I_{OH}$	-	-	-4.0	mA
			$I_{OL}$	-	-	4.0	mA
		Middle drive*2	$I_{OH}$	-	-	-8.0	mA
			$I_{OL}$	-	-	8.0	mA
		High drive*3	$I_{OH}$	-	-	-40	mA
			$I_{OL}$	-	-	40	mA
	Other output pins*4	Low drive*1	$I_{OH}$	-	-	-4.0	mA
			$I_{OL}$	-	-	4.0	mA
		Middle drive*2	$I_{OH}$	-	-	-8.0	mA
			$I_{OL}$	-	-	8.0	mA
		High drive*3	$I_{OH}$	-	-	-32	mA
			$I_{OL}$	-	-	32	mA
Permissible output current (max value of total of all pins)	Maximum of all output pins		$\Sigma I_{OH}(\max)$	-	-	-80	mA
			$\Sigma I_{OL}(\max)$	-	-	80	mA

**Caution:** To protect the reliability of the MCU, the output current values should not exceed the values in this table. The average output current indicates the average value of current measured during 100  $\mu$ s.

Note 1. This is the value when low driving ability is selected in the Port Drive Capability bit in the PmnPFS register. The selected driving ability is retained in Deep Software Standby mode.

Note 2. This is the value when middle driving ability is selected in the Port Drive Capability bit in the PmnPFS register. The selected driving ability is retained in Deep Software Standby mode.

Note 3. This is the value when high driving ability is selected in the Port Drive Capability bit in the PmnPFS register. The selected driving ability is retained in Deep Software Standby mode.

Note 4. Except for P000 to P007, P200, which are input ports.

2.2.4 I/O  $V_{OH}$ ,  $V_{OL}$ , and Other CharacteristicsTable 2.6 I/O  $V_{OH}$ ,  $V_{OL}$ , and other characteristics

Parameter		Symbol	Min	Typ	Max	Unit	Test conditions	
Output voltage	IIC	$V_{OL}$	-	-	0.4	V	$I_{OL} = 3.0 \text{ mA}$	
		$V_{OL}$	-	-	0.6		$I_{OL} = 6.0 \text{ mA}$	
	IIC*1	$V_{OL}$	-	-	0.4		$I_{OL} = 15.0 \text{ mA}$ (ICFER.FMPE = 1)	
		$V_{OL}$	-	0.4	-		$I_{OL} = 20.0 \text{ mA}$ (ICFER.FMPE = 1)	
	Ports P205, P206, P407 to P415, P602, P708 (total of 13 pins)*2	$V_{OH}$	VCC - 1.0	-	-		$I_{OH} = -20 \text{ mA}$ VCC = 3.3 V	
		$V_{OL}$	-	-	1.0		$I_{OL} = 20 \text{ mA}$ VCC = 3.3 V	
	Other output pins	$V_{OH}$	VCC - 0.5	-	-		$I_{OH} = -1.0 \text{ mA}$	
		$V_{OL}$	-	-	0.5		$I_{OL} = 1.0 \text{ mA}$	
Input leakage current	RES	$ I_{in} $	-	-	5.0	$\mu\text{A}$	$V_{in} = 0 \text{ V}$ $V_{in} = 5.5 \text{ V}$	
	Ports P000 to P002, P004 to P006, P200		-	-	1.0		$V_{in} = 0 \text{ V}$ $V_{in} = \text{VCC}$	
	Ports P003, P007		Before initialization*3	-	-		45.0	$V_{in} = 0 \text{ V}$ $V_{in} = \text{VCC}$
			After initialization*4	-	-		1.0	$V_{in} = 0 \text{ V}$ $V_{in} = \text{VCC}$
Three-state leakage current (off state)	5 V-tolerant ports	$ I_{TS} $	-	-	5.0	$\mu\text{A}$	$V_{in} = 0 \text{ V}$ $V_{in} = 5.5 \text{ V}$	
	Other ports (except for ports P000 to P007, P200)		-	-	1.0		$V_{in} = 0 \text{ V}$ $V_{in} = \text{VCC}$	
Input pull-up MOS current	Ports P0 to P7 (except for ports P000 to P007)	$I_p$	-300	-	-10	$\mu\text{A}$	VCC = 2.7 to 3.6 V $V_{in} = 0 \text{ V}$	
Input capacitance	USB_DP, USB_DM, and ports P003, P007, P014, P015, P400, P401	$C_{in}$	-	-	16	$\text{pF}$	$V_{bias} = 0 \text{ V}$ $V_{amp} = 20 \text{ mV}$ $f = 1 \text{ MHz}$ $T_a = 25^\circ\text{C}$	
	Other input pins		-	-	8			

Note 1. SCL0\_A, SDA0\_A (total 2 pins).

Note 2. This is the value when high driving ability is selected in the Port Drive Capability bit in the PmnPFS register.  
The selected driving ability is retained in Deep Software Standby mode.

Note 3. P0nPFS.ASEL(n = 3 or 7) = 1

Note 4. P0nPFS.ASEL(n = 3 or 7) = 0

2.2.5 Operating and Standby Current

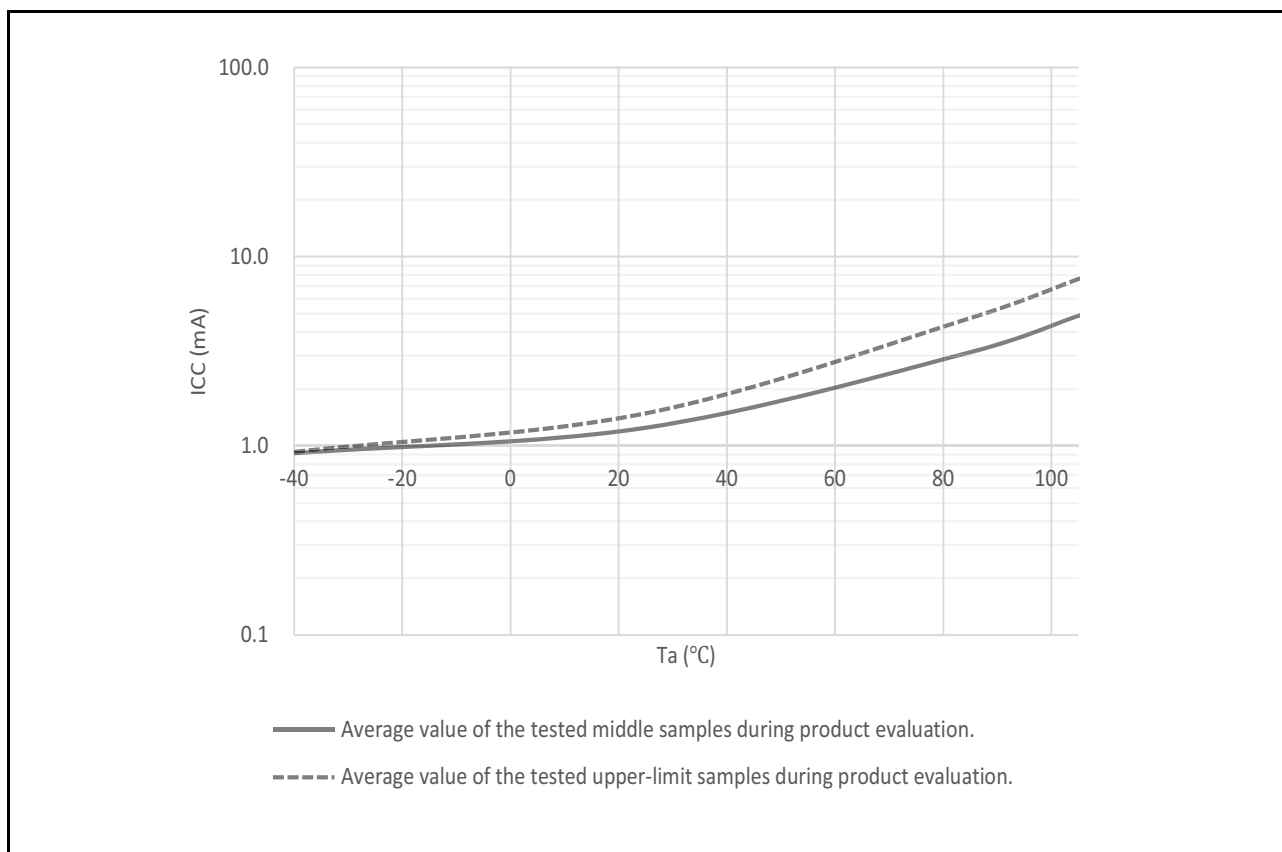
Table 2.7 Operating and standby current (1 of 2)

Parameter	Symbol	Min	Typ	Max	Unit	Test conditions								
Supply current*1	I <sub>CC</sub> *3	-	-	87	mA	ICLK = 120 MHz PCLKA = 120 MHz PCLKB = 60 MHz PCLKC = 60 MHz PCLKD = 120 MHz FCLK = 60 MHz BCLK = 120 MHz								
							Maximum*2							
							CoreMark®*5							
							Normal mode	All peripheral clocks enabled, while (1) code executing from flash*4						
								All peripheral clocks disabled, while (1) code executing from flash*5, *6						
							Sleep mode*5, *6							
							Increase during BGO operation	Data flash P/E						
								Code flash P/E						
							Low-speed mode*5							
							Subosc-speed mode*5							
							Software Standby mode							
							Deep Software Standby mode	Power supplied to Standby SRAM and USB resume detecting unit	-	28	65	μA	Ta ≤ 85°C	
									-	28	93		Ta ≤ 105°C	
								Power not supplied to SRAM or USB resume detecting unit	Power-on reset circuit low power function disabled	-	11.6		28	Ta ≤ 85°C
									Power-on reset circuit low power function enabled	-	11.6		32	Ta ≤ 105°C
								Increase when the RTC and AGT are operating	When the low-speed on-chip oscillator (LOCO) is in use	-	4.9		21	Ta ≤ 85°C
									When a crystal oscillator for low clock loads is in use	-	4.9		26	Ta ≤ 105°C
When a crystal oscillator for standard clock loads is in use	-	4.4	-	-										
RTC operating while VCC is off (with the battery backup function, only the RTC and sub-clock oscillator operate)	When a crystal oscillator for low clock loads is in use	-	1.0	-	-									
		-	1.4	-	-									
	When a crystal oscillator for standard clock loads is in use	-	0.9	-	VBATT = 1.8 V, VCC = 0 V									
		-	1.1	-	VBATT = 3.3 V, VCC = 0 V									
Analog power supply current	A <sub>ICC</sub>	-	0.8	1.1	mA	-								
							During 12-bit A/D conversion							
							During 12-bit A/D conversion with S/H amp							
							PGA (1ch)							
							ACMPHS (1 unit)							
							Temperature sensor							
							During D/A conversion (per unit)	Without AMP output						
								With AMP output						
Waiting for A/D, D/A conversion (all units)														
ADC12, DAC12 in standby modes (all units)*7														
Reference power supply current (VREFH0)	A <sub>REFH0</sub>	-	70	120	μA	-								
							During 12-bit A/D conversion (unit 0)							
							Waiting for 12-bit A/D conversion (unit 0)							
ADC12 in standby modes (unit 0)														
Reference power supply current (VREFH)	A <sub>REFH</sub>	-	70	120	μA	-								
							During 12-bit A/D conversion (unit 1)							
								During D/A conversion (per unit)	Without AMP output					
							With AMP output							
							Waiting for 12-bit A/D (unit 1), D/A (all units) conversion							
ADC12 unit 1 in standby modes														

**Table 2.7 Operating and standby current (2 of 2)**

Parameter		Symbol	Min	Typ	Max	Unit	Test conditions	
USB operating current	Low speed	USB	I <sub>CCUSBLS</sub>	-	3.5	6.5	mA	VCC_USB
	Full speed	USB	I <sub>CCUSBFS</sub>	-	4.0	10.0	mA	VCC_USB

- Note 1. Supply current values are with all output pins unloaded and all input pull-up MOS transistors in the off state.
- Note 2. Measured with clocks supplied to the peripheral functions. This does not include the BGO operation.
- Note 3. I<sub>CC</sub> depends on f (ICLK) as follows. (ICLK:PCLKA:PCLKB:PCLKC:PCLKD:BCK:EBCLK = 2:2:1:1:2:1:1)  
 I<sub>CC</sub> Max. = 0.53 x f + 23 (maximum operation in High-speed mode)  
 I<sub>CC</sub> Typ. = 0.08 x f + 2.4 (normal operation in High-speed mode)  
 I<sub>CC</sub> Typ. = 0.1 x f + 1.1 (Low-speed mode)  
 I<sub>CC</sub> Max. = 0.09 x f + 23 (Sleep mode).
- Note 4. This does not include the BGO operation.
- Note 5. Supply of the clock signal to peripherals is stopped in this state. This does not include the BGO operation.
- Note 6. FCLK, BCLK, PCLKA, PCLKB, PCLKC, and PCLKD are set to divided by 64 (3.75 MHz).
- Note 7. When the MCU is in Software Standby mode or the MSTPCRD.MSTPD16 (12-bit A/D Converter 0 Module Stop bit) and MSTPCRD.MSTPD15 (12-bit A/D Converter 1 Module Stop bit) are in the module-stop state.  
 See section 42.6.8, Available functions and register settings of AN000 to AN002, AN007, AN100 to AN102, and AN107 in User's Manual.



**Figure 2.2 Temperature dependency in Software Standby mode (reference data)**

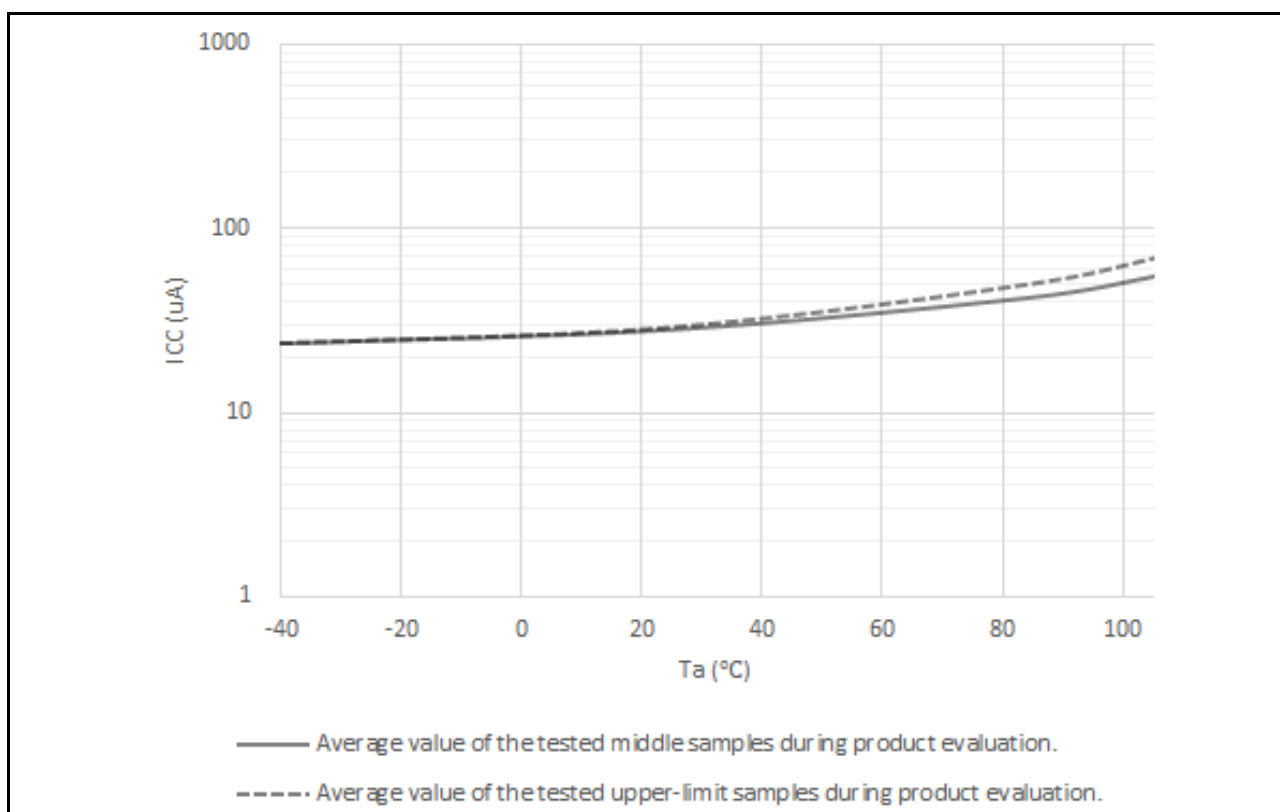


Figure 2.3 Temperature dependency in Deep Software Standby mode, power supplied to standby SRAM and USB resume detecting unit (reference data)

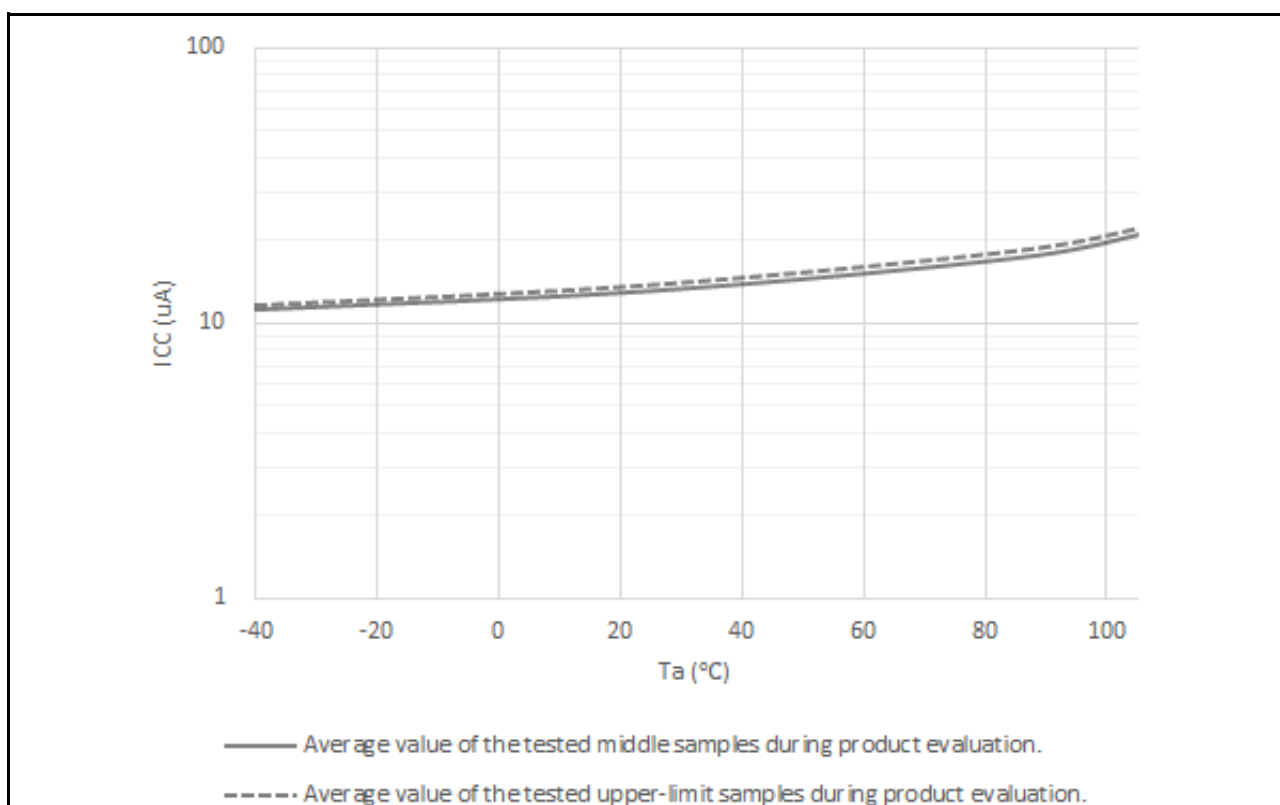
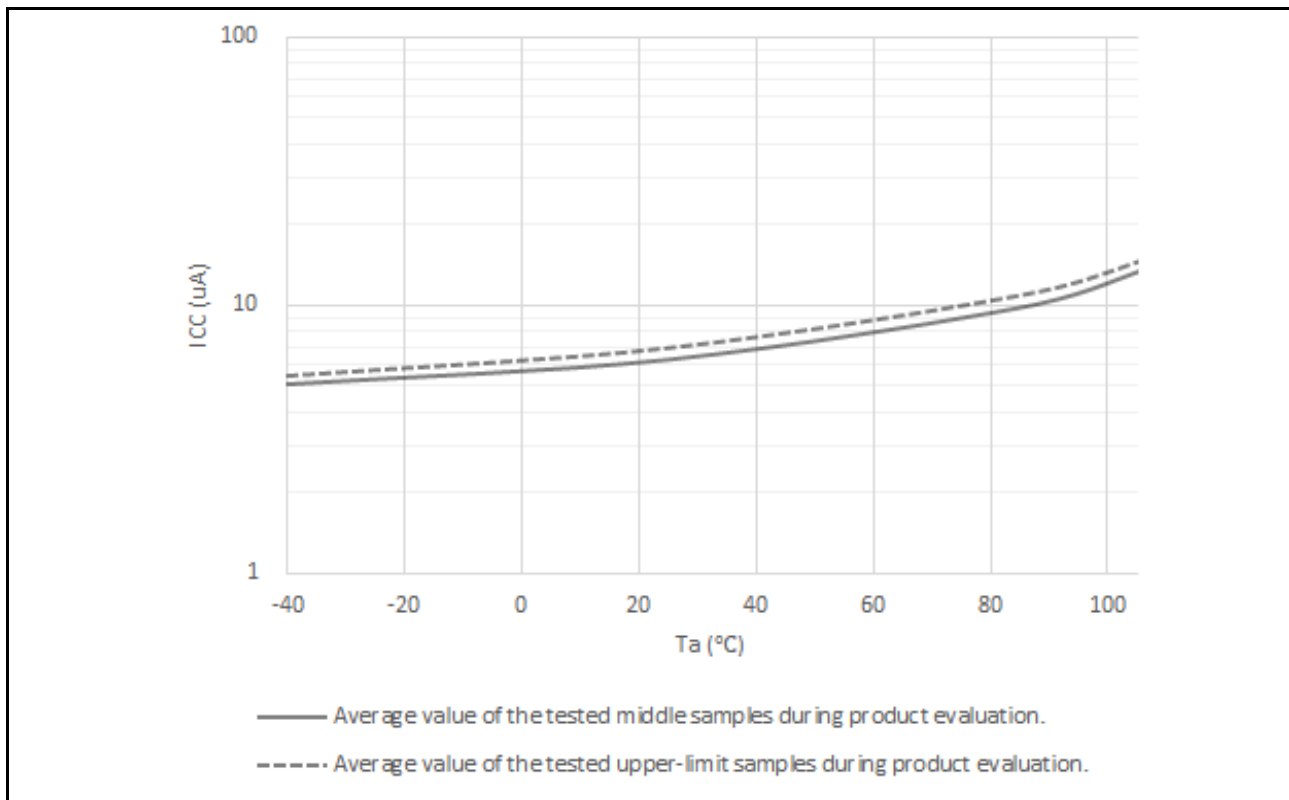


Figure 2.4 Temperature dependency in Deep Software Standby mode, power not supplied to SRAM or USB resume detecting unit, power-on reset circuit low power function disabled (reference data)



**Figure 2.5** Temperature dependency in Deep Software Standby mode, power not supplied to SRAM or USB resume detecting unit, power-on reset circuit low power function enabled (reference data)

## 2.2.6 VCC Rise and Fall Gradient and Ripple Frequency

**Table 2.8** Rise and fall gradient characteristics

Parameter		Symbol	Min	Typ	Max	Unit	Test conditions
VCC rising gradient	Voltage monitor 0 reset disabled at startup	SrVCC	0.0084	-	20	ms/V	-
	Voltage monitor 0 reset enabled at startup		0.0084	-	-		-
	SCI/USB boot mode*1		0.0084	-	20		-
VCC falling gradient*2		SrVCC	0.0084	-	-	ms/V	-

Note 1. At boot mode, the reset from voltage monitor 0 is disabled regardless of the value of the OFS1.LVDAS bit.

Note 2. This applies when VBATT is used.

**Table 2.9** Rise and fall gradient and ripple frequency characteristics

The ripple voltage must meet the allowable ripple frequency  $f_r(VCC)$  within the range between the VCC upper limit (3.6 V) and lower limit (2.7 V). When the VCC change exceeds  $VCC \pm 10\%$ , the allowable voltage change rising and falling gradient  $dt/dVCC$  must be met.

Parameter	Symbol	Min	Typ	Max	Unit	Test conditions
Allowable ripple frequency	$f_r(VCC)$	-	-	10	kHz	Figure 2.6 $V_r(VCC) \leq VCC \times 0.2$
		-	-	1	MHz	Figure 2.6 $V_r(VCC) \leq VCC \times 0.08$
		-	-	10	MHz	Figure 2.6 $V_r(VCC) \leq VCC \times 0.06$
Allowable voltage change rising and falling gradient	$dt/dVCC$	1.0	-	-	ms/V	When VCC change exceeds $VCC \pm 10\%$

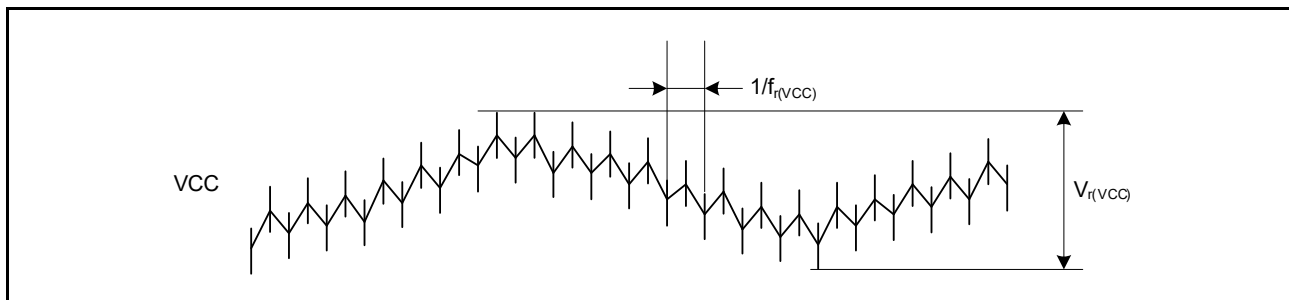


Figure 2.6 Ripple waveform

## 2.3 AC Characteristics

### 2.3.1 Frequency

Table 2.10 Operation frequency value in high-speed mode

Parameter	Symbol	Min	Typ	Max	Unit	
Operation frequency	System clock (ICLK)*2	f	-	-	120	MHz
	Peripheral module clock (PCLKA)*2	-	-	120		
	Peripheral module clock (PCLKB)*2	-	-	60		
	Peripheral module clock (PCLKC)*2	-*3	-	60		
	Peripheral module clock (PCLKD)*2	-	-	120		
	Flash interface clock (FCLK)*2	-*1	-	60		
	External bus clock (BCLK)*2	-	-	120		
	EBCLK pin output	-	-	60		

Note 1. FCLK must run at a frequency of at least 4 MHz when programming or erasing the flash memory.

Note 2. See section 9, Clock Generation Circuit in User's Manual for the relationship between the ICLK, PCLKA, PCLKB, PCLKC, PCLKD, FCLK, and BCLK frequencies.

Note 3. When the ADC12 is used, the PCLKC frequency must be at least 1 MHz.

Table 2.11 Operation frequency value in low-speed mode

Parameter	Symbol	Min	Typ	Max	Unit	
Operation frequency	System clock (ICLK)*2	f	-	-	1	MHz
	Peripheral module clock (PCLKA)*2	-	-	1		
	Peripheral module clock (PCLKB)*2	-	-	1		
	Peripheral module clock (PCLKC)*2,*3	-*3	-	1		
	Peripheral module clock (PCLKD)*2	-	-	1		
	Flash interface clock (FCLK)*1,*2	-	-	1		
	External bus clock (BCLK)	-	-	1		
	EBCLK pin output	-	-	1		

Note 1. Programming or erasing the flash memory is disabled in Low-speed mode.

Note 2. See section 9, Clock Generation Circuit in User's Manual for the relationship between the ICLK, PCLKA, PCLKB, PCLKC, PCLKD, FCLK, and BCLK frequencies.

Note 3. When the ADC12 is used, the PCLKC frequency must be set to at least 1 MHz.



**Table 2.12 Operation frequency value in Subosc-speed mode**

Parameter	Symbol	Min	Typ	Max	Unit	
Operation frequency	System clock (ICLK)*2	f	29.4	-	36.1	kHz
	Peripheral module clock (PCLKA)*2	-	-	36.1		
	Peripheral module clock (PCLKB)*2	-	-	36.1		
	Peripheral module clock (PCLKC)*2, *3	-	-	36.1		
	Peripheral module clock (PCLKD)*2	-	-	36.1		
	Flash interface clock (FCLK)*1, *2	29.4	-	36.1		
	External bus clock (BCLK)*2	-	-	36.1		
	EBCLK pin output	-	-	36.1		

Note 1. Programming or erasing the flash memory is disabled in Subosc-speed mode.

Note 2. See section 9, Clock Generation Circuit in User's Manual for the relationship between the ICLK, PCLKA, PCLKB, PCLKC, PCLKD, FCLK, and BCLK frequencies.

Note 3. The ADC12 cannot be used.

## 2.3.2 Clock Timing

**Table 2.13 Clock timing except for sub-clock oscillator (1 of 2)**

Parameter	Symbol	Min	Typ	Max	Unit	Test conditions	
EBCLK pin output cycle time	$t_{Bcyc}$	16.6	-	-	ns	Figure 2.7	
EBCLK pin output high pulse width	$t_{CH}$	3.3	-	-	ns		
EBCLK pin output low pulse width	$t_{CL}$	3.3	-	-	ns		
EBCLK pin output rise time	$t_{Cr}$	-	-	5.0	ns		
EBCLK pin output fall time	$t_{Cf}$	-	-	5.0	ns		
EXTAL external clock input cycle time	$t_{EXcyc}$	41.66	-	-	ns	Figure 2.8	
EXTAL external clock input high pulse width	$t_{EXH}$	15.83	-	-	ns		
EXTAL external clock input low pulse width	$t_{EXL}$	15.83	-	-	ns		
EXTAL external clock rise time	$t_{EXr}$	-	-	5.0	ns		
EXTAL external clock fall time	$t_{EXf}$	-	-	5.0	ns		
Main clock oscillator frequency	$f_{MAIN}$	8	-	24	MHz	-	
Main clock oscillation stabilization wait time (crystal) *1	$t_{MAINOSCWT}$	-	-	_*1	ms	Figure 2.9	
LOCO clock oscillation frequency	$f_{LOCO}$	29.4912	32.768	36.0448	kHz	-	
LOCO clock oscillation stabilization wait time	$t_{LOCOWT}$	-	-	60.4	$\mu$ s	Figure 2.10	
ILOCO clock oscillation frequency	$f_{ILOCO}$	13.5	15	16.5	kHz	-	
MOCO clock oscillation frequency	$F_{MOCO}$	6.8	8	9.2	MHz	-	
MOCO clock oscillation stabilization wait time	$t_{MOCOWT}$	-	-	15.0	$\mu$ s	-	
HOCO clock oscillator oscillation frequency	Without FLL	$f_{HOCO16}$	15.78	16	16.22	MHz	$-20 \leq T_a \leq 105^\circ\text{C}$
		$f_{HOCO18}$	17.75	18	18.25		
		$f_{HOCO20}$	19.72	20	20.28		
		$f_{HOCO16}$	15.71	16	16.29		$-40 \leq T_a \leq -20^\circ\text{C}$
		$f_{HOCO18}$	17.68	18	18.32		
		$f_{HOCO20}$	19.64	20	20.36		
	With FLL	$f_{HOCO16}$	15.955	16	16.045	MHz	$-40 \leq T_a \leq 105^\circ\text{C}$ Sub-clock frequency accuracy is $\pm 50$ ppm.
		$f_{HOCO18}$	17.949	18	18.051		
		$f_{HOCO20}$	19.944	20	20.056		
HOCO clock oscillation stabilization wait time*2	$t_{HOCOWT}$	-	-	64.7	$\mu$ s	-	
FLL stabilization wait time	$t_{FLLWT}$	-	-	1.8	ms	-	
PLL clock frequency	$f_{PLL}$	120	-	240	MHz	-	

**Table 2.13 Clock timing except for sub-clock oscillator (2 of 2)**

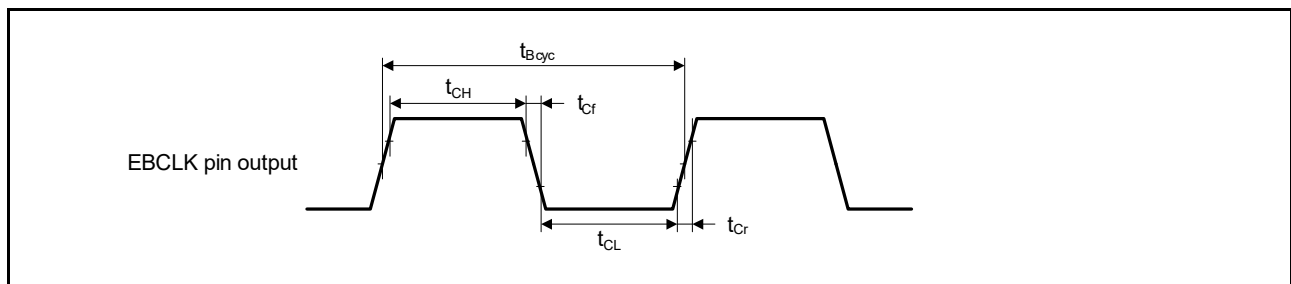
Parameter	Symbol	Min	Typ	Max	Unit	Test conditions
PLL clock oscillation stabilization wait time	$t_{PLLWT}$	-	-	174.9	$\mu\text{s}$	Figure 2.11

- Note 1. When setting up the main clock oscillator, ask the oscillator manufacturer for an oscillation evaluation, and use the results as the recommended oscillation stabilization time. Set the MOSCWTCR register to a value equal to or greater than the recommended value.  
 After changing the setting in the MOSCCR.MOSTP bit to start main clock operation, read the OSCSF.MOSCSF flag to confirm that it is 1, and then start using the main clock oscillator.
- Note 2. This is the time from release from reset state until the HOCO oscillation frequency (fHOCO) reaches the range for guaranteed operation.

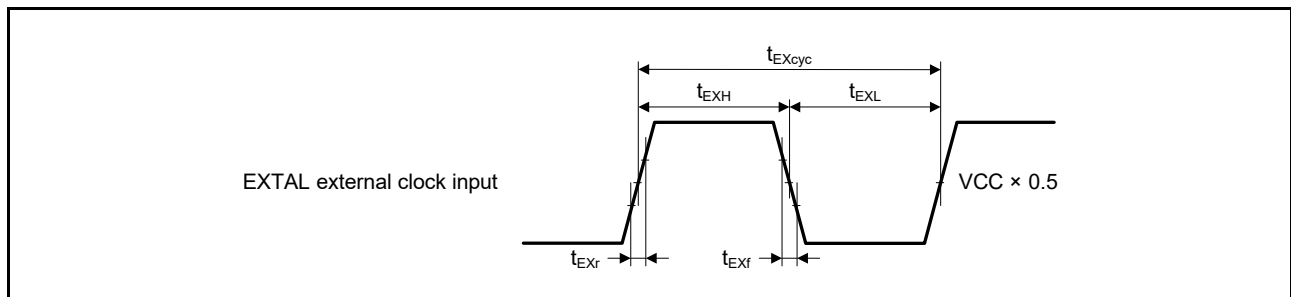
**Table 2.14 Clock timing for the sub-clock oscillator**

Parameter	Symbol	Min	Typ	Max	Unit	Test conditions
Sub-clock frequency	$f_{SUB}$	-	32.768	-	kHz	-
Sub-clock oscillation stabilization wait time	$t_{SUBOSCWT}$	-	-	-*1	s	-

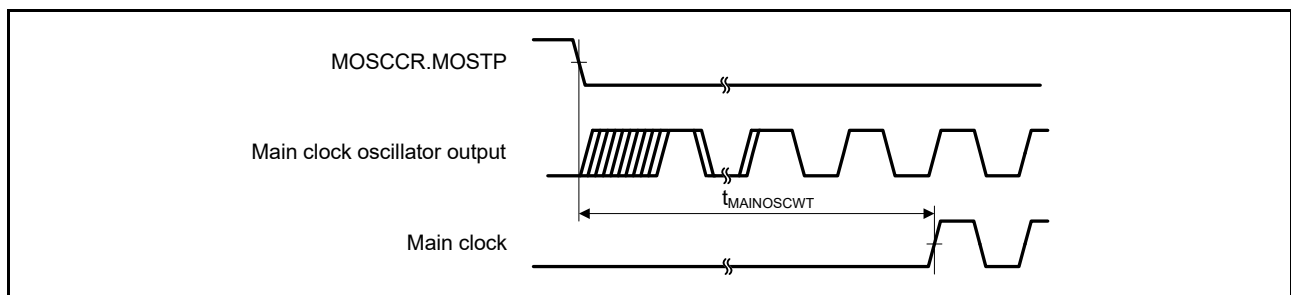
- Note 1. When setting up the sub-clock oscillator, ask the oscillator manufacturer for an oscillation evaluation and use the results as the recommended oscillation stabilization time.  
 After changing the setting in the SOSCCR.SOSTP bit to start sub-clock operation, only start using the sub-clock oscillator after the sub-clock oscillation stabilization time elapses with an adequate margin. A value that is two times the value shown is recommended.



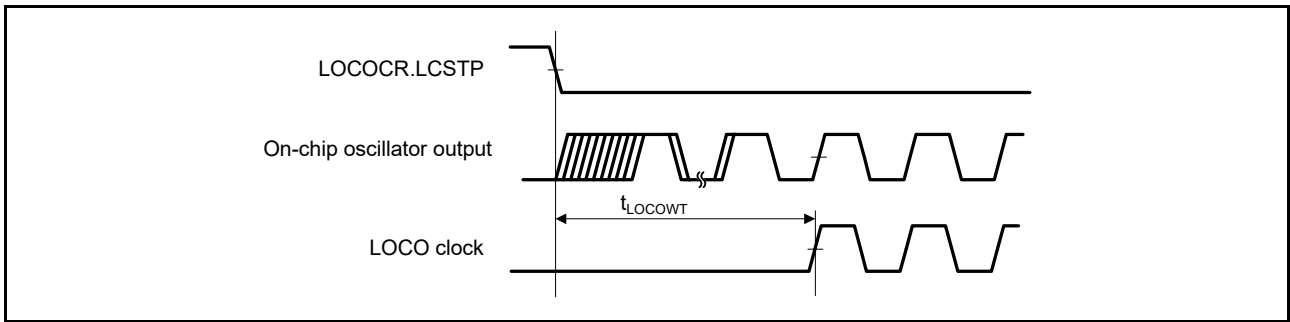
**Figure 2.7 EBCLK output timing**



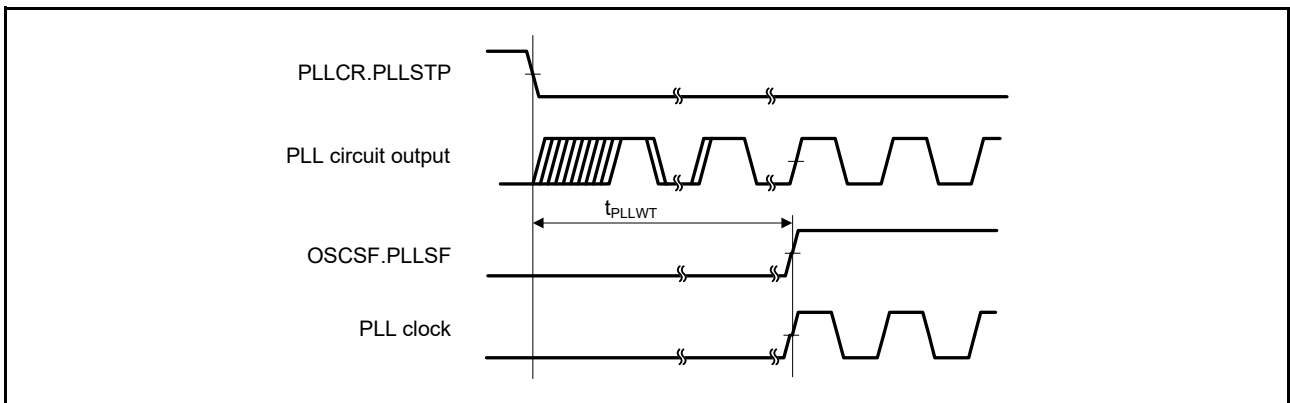
**Figure 2.8 EXTERNAL external clock input timing**



**Figure 2.9 Main clock oscillation start timing**

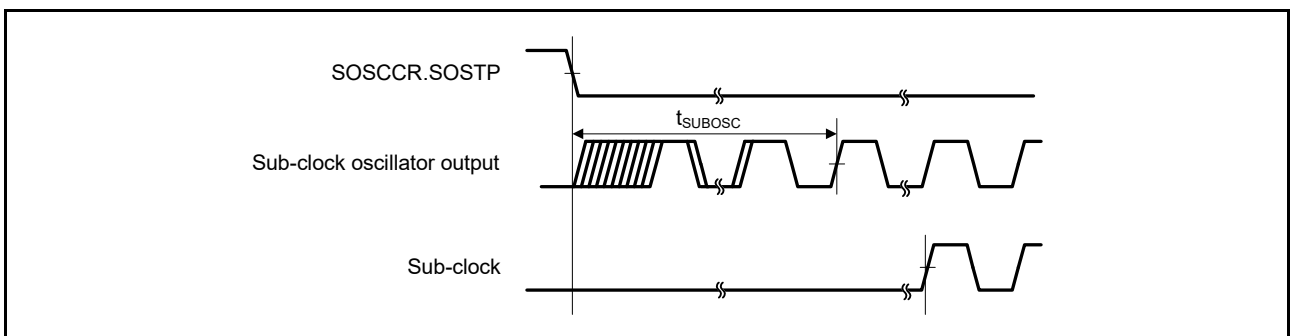


**Figure 2.10 LOCO clock oscillation start timing**



**Figure 2.11 PLL clock oscillation start timing**

Note: Only operate the PLL after the main clock oscillation has stabilized.



**Figure 2.12 Sub-clock oscillation start timing**

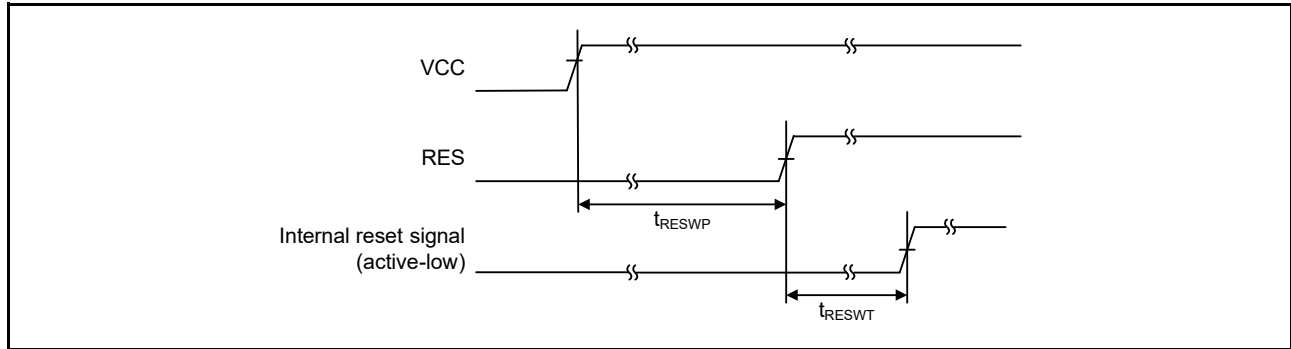
### 2.3.3 Reset Timing

**Table 2.15 Reset timing (1 of 2)**

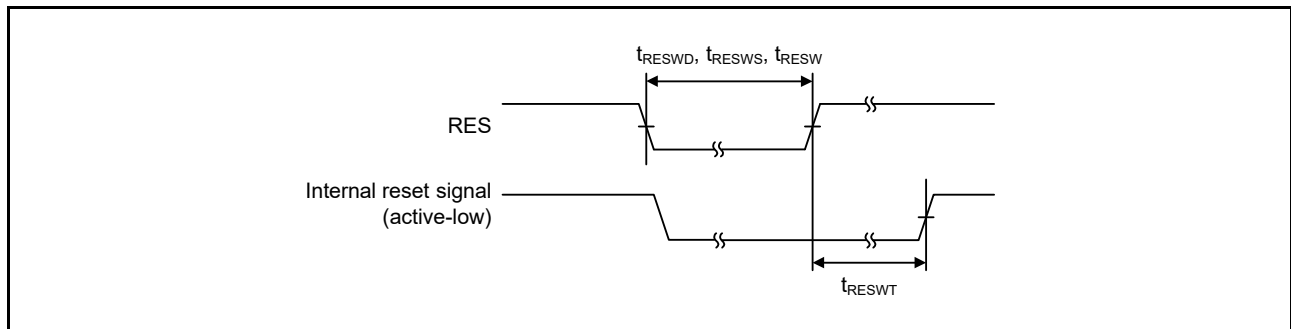
Parameter		Symbol	Min	Typ	Max	Unit	Test conditions
RES pulse width	Power-on	$t_{RESWP}$	1	-	-	ms	Figure 2.13
	Deep Software Standby mode	$t_{RESWD}$	0.6	-	-	ms	Figure 2.14
	Software Standby mode, Subosc-speed mode	$t_{RESWS}$	0.3	-	-	ms	
	All other	$t_{RESW}$	200	-	-	$\mu$ s	
Wait time after RES cancellation		$t_{RESWT}$	-	29	32	$\mu$ s	Figure 2.13

**Table 2.15 Reset timing (2 of 2)**

Parameter	Symbol	Min	Typ	Max	Unit	Test conditions
Wait time after internal reset cancellation (IWDT reset, WDT reset, software reset, SRAM parity error reset, SRAM ECC error reset, bus master MPU error reset, bus slave MPU error reset, stack pointer error reset)	$t_{RESW2}$	-	320	390	$\mu\text{s}$	-



**Figure 2.13 Power-on reset timing**



**Figure 2.14 Reset input timing**

### 2.3.4 Wakeup Timing

**Table 2.16 Timing of recovery from low power modes (1 of 2)**

Parameter	Symbol	Min	Typ	Max	Unit	Test conditions	
Recovery time from Software Standby mode*1	Crystal resonator connected to main clock oscillator	$t_{SBYMC}$	-	$2.4^{*9}$	$2.8^{*9}$	ms	Figure 2.15 The division ratio of all oscillators is 1.
	System clock source is PLL with main clock oscillator*3	$t_{SBYPC}$	-	$2.7^{*9}$	$3.2^{*9}$	ms	
External clock input to main clock oscillator	System clock source is main clock oscillator*4	$t_{SBYEX}$	-	$230^{*9}$	$280^{*9}$	$\mu\text{s}$	
	System clock source is PLL with main clock oscillator*5	$t_{SBYPE}$	-	$570^{*9}$	$700^{*9}$	$\mu\text{s}$	
System clock source is sub-clock oscillator*8	$t_{SBYSC}$	-	$1.2^{*9}$	$1.3^{*9}$	ms		
System clock source is LOCO*8	$t_{SBYLO}$	-	$1.2^{*9}$	$1.4^{*9}$	ms		
System clock source is HOCO*6	$t_{SBYHO}$	-	$240^{*9}, *10$	$300^{*9}, *10$	$\mu\text{s}$		
System clock source is MOCO*7	$t_{SBYMO}$	-	$220^{*9}$	$300^{*9}$	$\mu\text{s}$		

**Table 2.16 Timing of recovery from low power modes (2 of 2)**

Parameter		Symbol	Min	Typ	Max	Unit	Test conditions
Recovery time from Deep Software Standby mode		$t_{DSBY}$	-	0.65	1.0	ms	Figure 2.16
Wait time after cancellation of Deep Software Standby mode		$t_{DSBYWT}$	34	-	35	$t_{cyc}$	
Recovery time from Software Standby mode to Snooze mode	High-speed mode when system clock source is HOCO (20 MHz)	$t_{SNZ}$	-	35*9, *10	70*9, *10	$\mu s$	Figure 2.17
	High-speed mode when system clock source is MOCO (8 MHz)	$t_{SNZ}$	-	11*9	14*9	$\mu s$	

- Note 1. The recovery time is determined by the system clock source. When multiple oscillators are active, the recovery time can be determined with the following equation:  
Total recovery time = recovery time for an oscillator as the system clock source + the longest oscillation stabilization time of any oscillators requiring longer stabilization times than the system clock source + 2 LOCO cycles (when LOCO is operating) + 3 SOSC cycles (when Subosc is oscillating and MSTPC0 = 0 (CAC module stop)).
- Note 2. When the frequency of the crystal is 24 MHz (Main Clock Oscillator Wait Control Register (MOSCWTCR) is set to 05h). For other settings (MOSCWTCR is set to Xh), the recovery time can be determined with the following equation:  
 $t_{SBYMC} (MOSCWTCR = Xh) = t_{SBYMC} (MOSCWTCR = 05h) + (t_{MAINOSCWT} (MOSCWTCR = Xh) - t_{MAINOSCWT} (MOSCWTCR = 05h))$
- Note 3. When the frequency of PLL is 240 MHz (Main Clock Oscillator Wait Control Register (MOSCWTCR) is set to 05h). For other settings (MOSCWTCR is set to Xh), the recovery time can be determined with the following equation:  
 $t_{SBYMC} (MOSCWTCR = Xh) = t_{SBYMC} (MOSCWTCR = 05h) + (t_{MAINOSCWT} (MOSCWTCR = Xh) - t_{MAINOSCWT} (MOSCWTCR = 05h))$
- Note 4. When the frequency of the external clock is 24 MHz (Main Clock Oscillator Wait Control Register (MOSCWTCR) is set to 00h). For other settings (MOSCWTCR is set to Xh), the recovery time can be determined with the following equation:  
 $t_{SBYMC} (MOSCWTCR = Xh) = t_{SBYMC} (MOSCWTCR = 00h) + (t_{MAINOSCWT} (MOSCWTCR = Xh) - t_{MAINOSCWT} (MOSCWTCR = 00h))$
- Note 5. When the frequency of PLL is 240 MHz (Main Clock Oscillator Wait Control Register (MOSCWTCR) is set to 00h). For other settings (MOSCWTCR is set to Xh), the recovery time can be determined with the following equation:  
 $t_{SBYMC} (MOSCWTCR = Xh) = t_{SBYMC} (MOSCWTCR = 00h) + (t_{MAINOSCWT} (MOSCWTCR = Xh) - t_{MAINOSCWT} (MOSCWTCR = 00h))$
- Note 6. The HOCO frequency is 20 MHz.
- Note 7. The MOCO frequency is 8 MHz.
- Note 8. In Subosc-speed mode, the sub-clock oscillator or LOCO continues oscillating in Software Standby mode.
- Note 9. When the SNZCR.RXDREQEN bit is set to 0, the following time is added as the power supply recovery time:  
STCONR.STCON[1:0] = 00b:16  $\mu s$  (typical), 34  $\mu s$  (maximum)  
STCONR.STCON[1:0] = 11b:16  $\mu s$  (typical), 104  $\mu s$  (maximum).
- Note 10. When the SNZCR.RXDREQEN bit is set to 0, 16  $\mu s$  (typical) or 18  $\mu s$  (maximum) is added as the HOCO wait time.

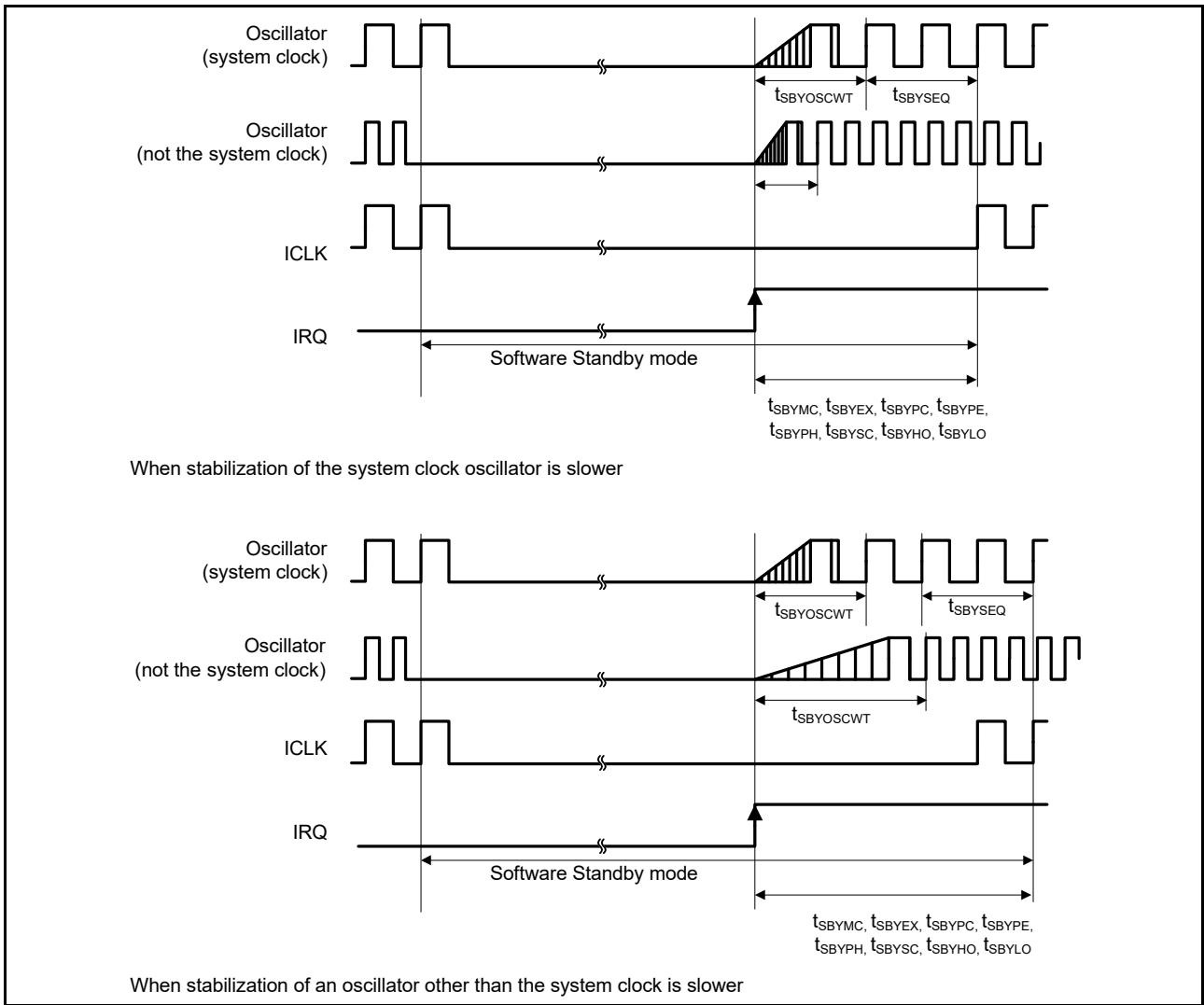


Figure 2.15 Software Standby mode cancellation timing

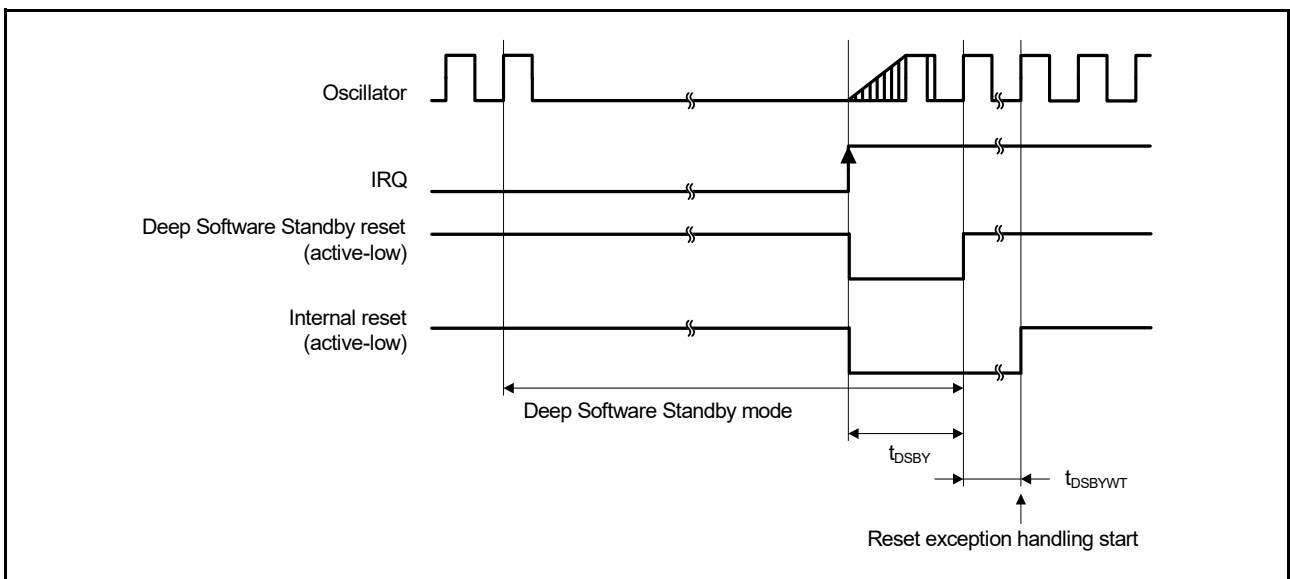


Figure 2.16 Deep Software Standby mode cancellation timing

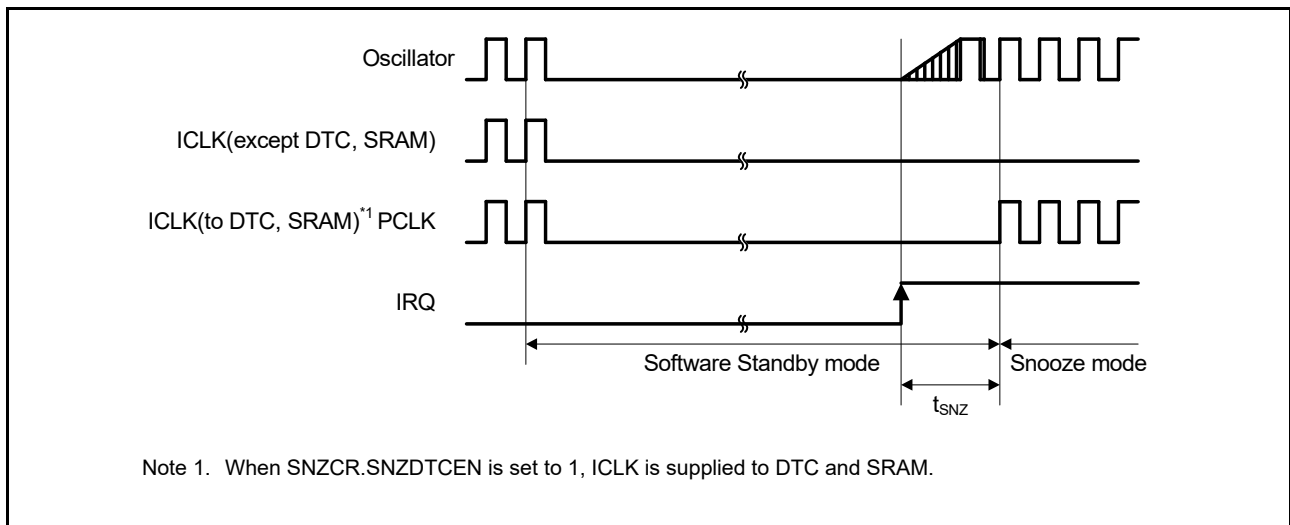


Figure 2.17 Recovery timing from Software Standby mode to Snooze mode

### 2.3.5 NMI and IRQ Noise Filter

Table 2.17 NMI and IRQ noise filter

Parameter	Symbol	Min	Typ	Max	Unit	Test conditions	
NMI pulse width	$t_{NMIW}$	200	-	-	ns	NMI digital filter disabled	
		$t_{Pcyc} \times 2^{*1}$	-	-			$t_{Pcyc} \times 2 > 200$ ns
		200	-	-		NMI digital filter enabled	$t_{NMICK} \times 3 \leq 200$ ns
		$t_{NMICK} \times 3.5^{*2}$	-	-			$t_{NMICK} \times 3 > 200$ ns
IRQ pulse width	$t_{IRQW}$	200	-	-	ns	IRQ digital filter disabled	
		$t_{Pcyc} \times 2^{*1}$	-	-			$t_{Pcyc} \times 2 > 200$ ns
		200	-	-		IRQ digital filter enabled	$t_{IRQCK} \times 3 \leq 200$ ns
		$t_{IRQCK} \times 3.5^{*3}$	-	-			$t_{IRQCK} \times 3 > 200$ ns

Note: 200 ns minimum in Software Standby mode.

Note 1.  $t_{Pcyc}$  indicates the PCLKB cycle.

Note 2.  $t_{NMICK}$  indicates the cycle of the NMI digital filter sampling clock.

Note 3.  $t_{IRQCK}$  indicates the cycle of the IRQi digital filter sampling clock.

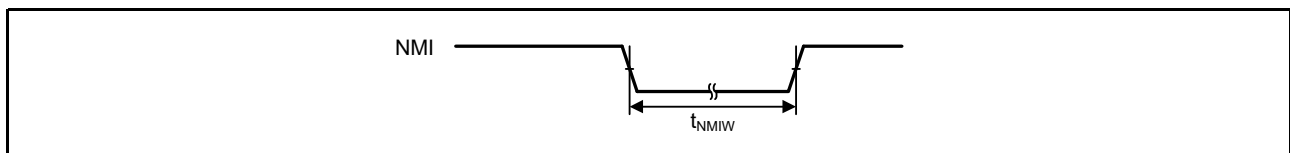


Figure 2.18 NMI interrupt input timing

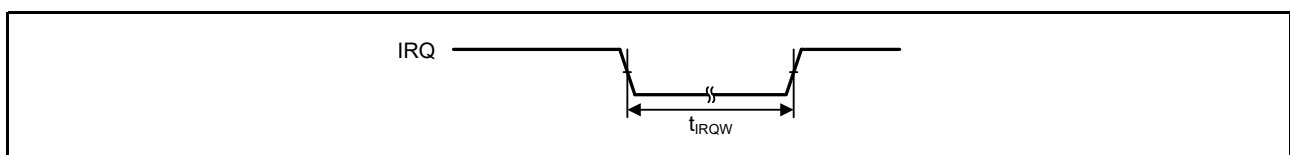


Figure 2.19 IRQ interrupt input timing

### 2.3.6 Bus Timing

**Table 2.18 Bus timing**

Conditions:

BCLK = 8 to 120 MHz, EBCLK = 8 to 60 MHz.

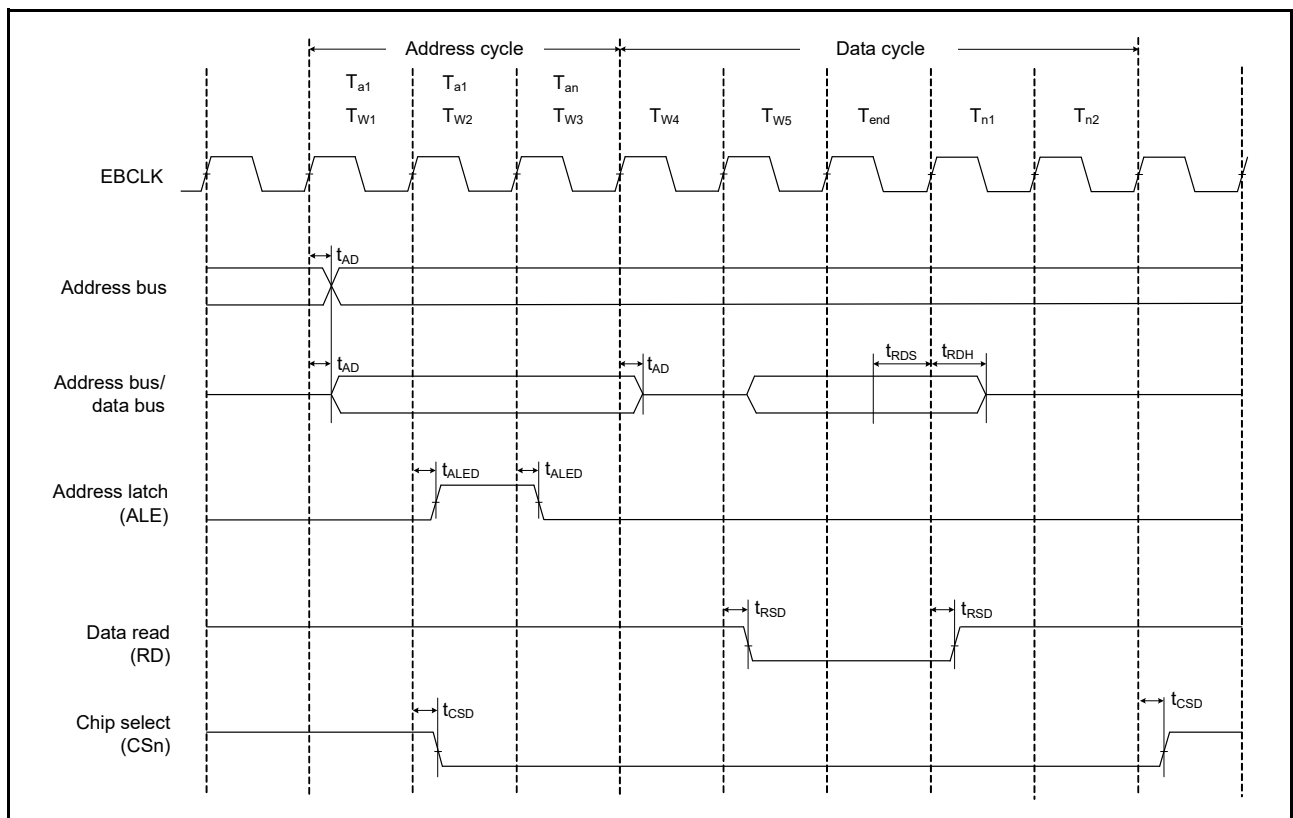
VCC = AVCC0 = VCC\_USB = VBATT = 2.7 to 3.6 V, VREFH/VREFH0 = 2.7 V to AVCC0.

Output load conditions: VOH = VCC × 0.5, VOL = VCC × 0.5, C = 30 pF.

EBCLK: High drive output is selected in the Port Drive Capability bit in the PmnPFS register.

Others: Middle drive output is selected in the Port Drive Capability bit in the PmnPFS register.

Parameter	Symbol	Min	Max	Unit	Test conditions
Address delay	$t_{AD}$	-	12.5	ns	Figure 2.22 to Figure 2.25
CS delay	$t_{CSD}$	-	12.5	ns	
ALE delay time	$t_{ALED}$	-	12.5	ns	
RD delay	$t_{RSD}$	-	12.5	ns	
Read data setup time	$t_{RDS}$	12.5	-	ns	
Read data hold time	$t_{RDH}$	0	-	ns	
WR0 delay	$t_{WRD}$	-	12.5	ns	
Write data delay	$t_{WDD}$	-	12.5	ns	
Write data hold time	$t_{WDH}$	0	-	ns	
WAIT setup time	$t_{WTS}$	12.5	-	ns	Figure 2.26
WAIT hold time	$t_{WTH}$	0	-	ns	



**Figure 2.20 Address/data multiplexed bus read access timing**



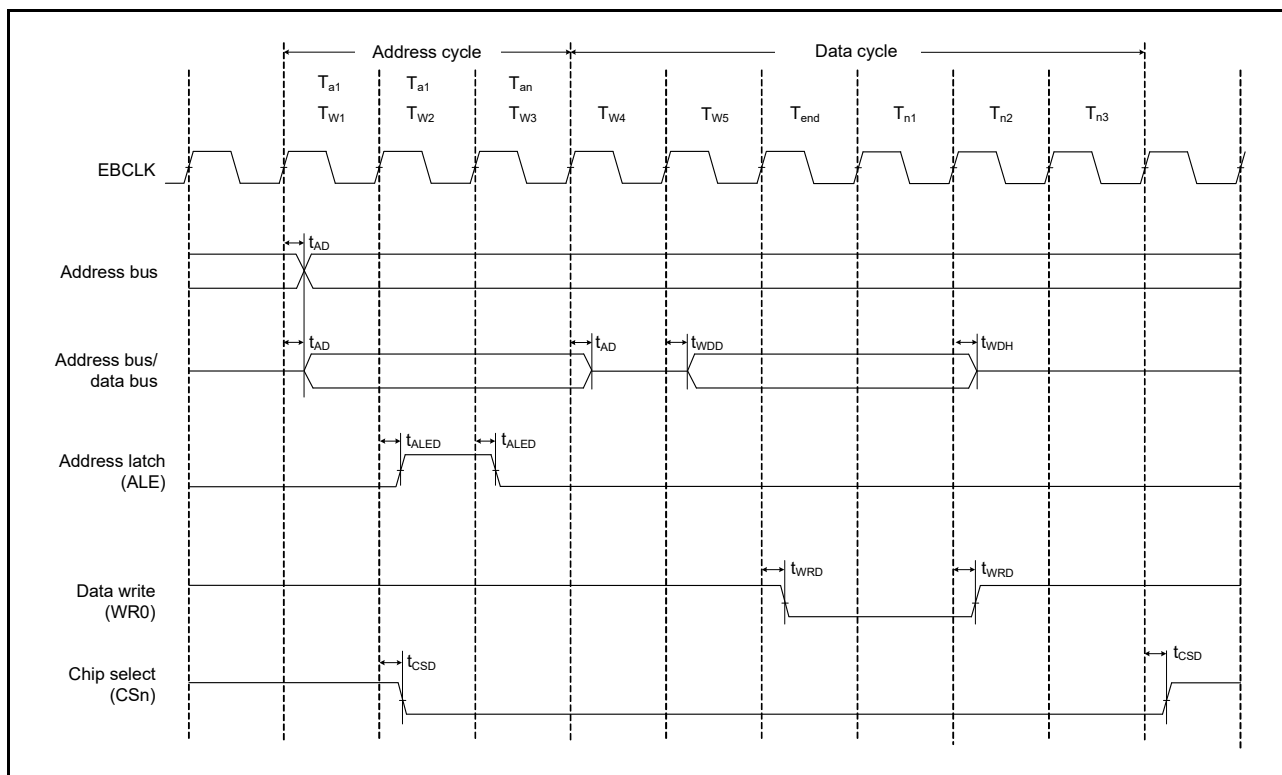


Figure 2.21 Address/data multiplexed bus write access timing

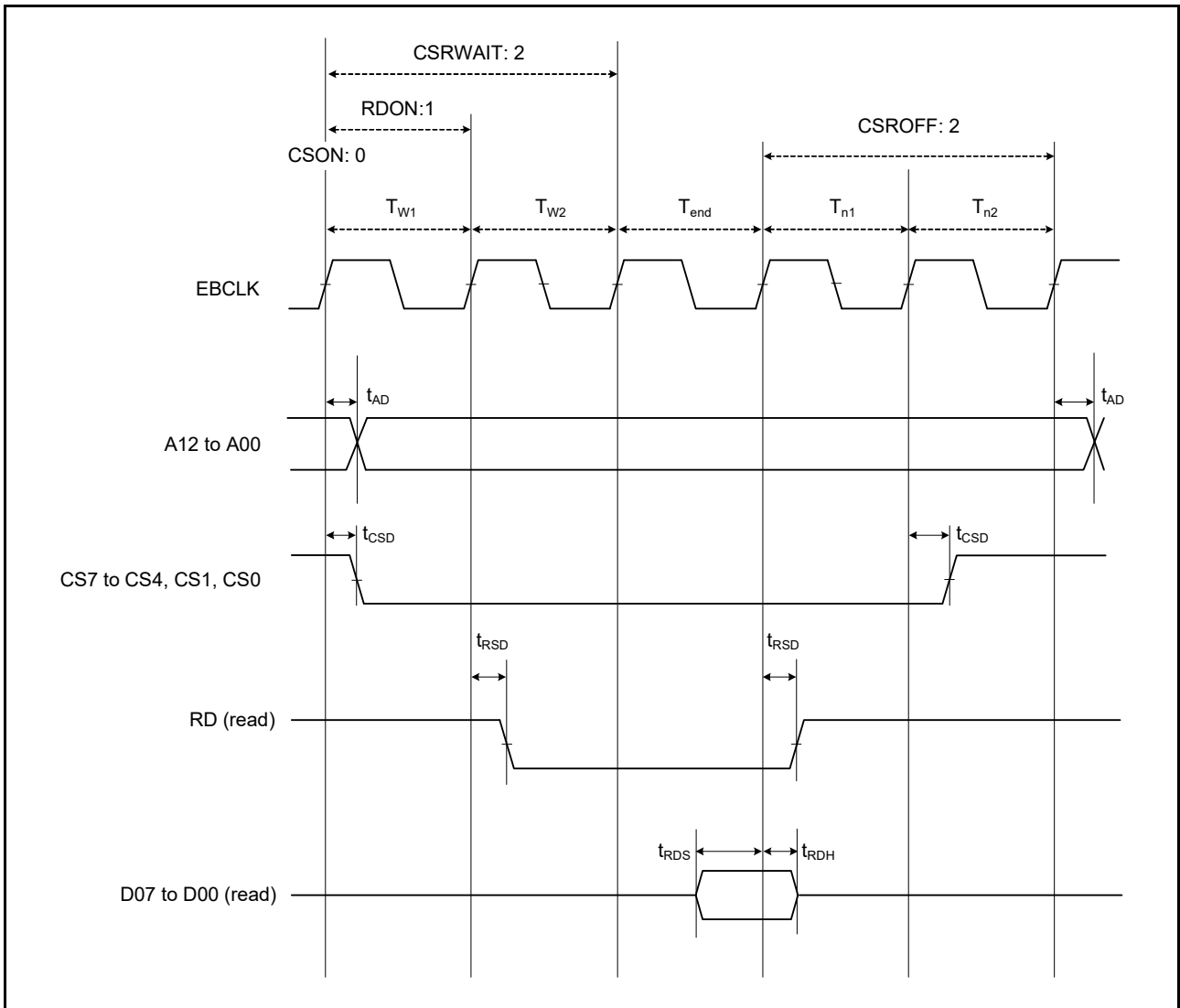


Figure 2.22 External bus timing for normal read cycle with bus clock synchronized

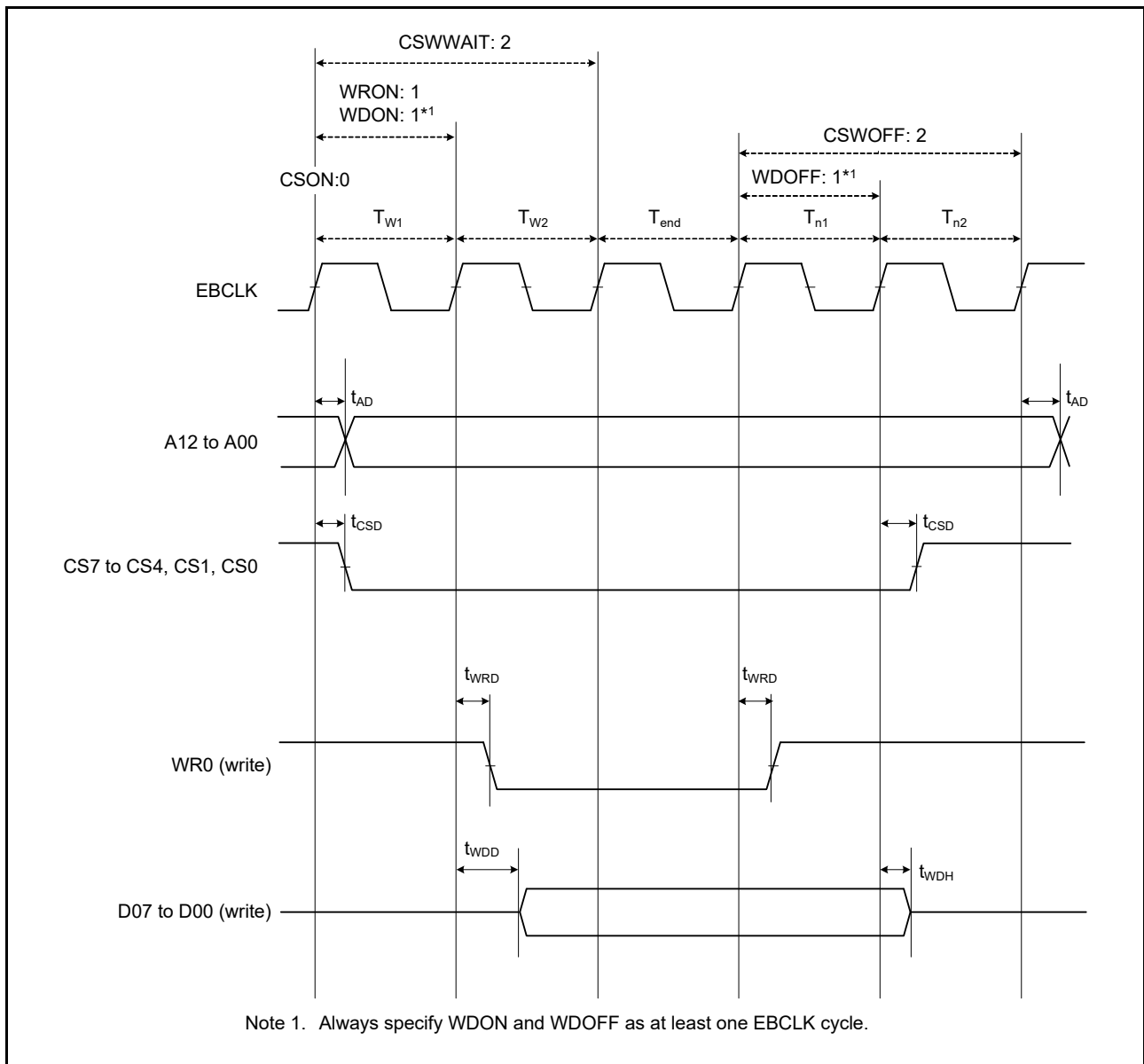


Figure 2.23 External bus timing for normal write cycle with bus clock synchronized

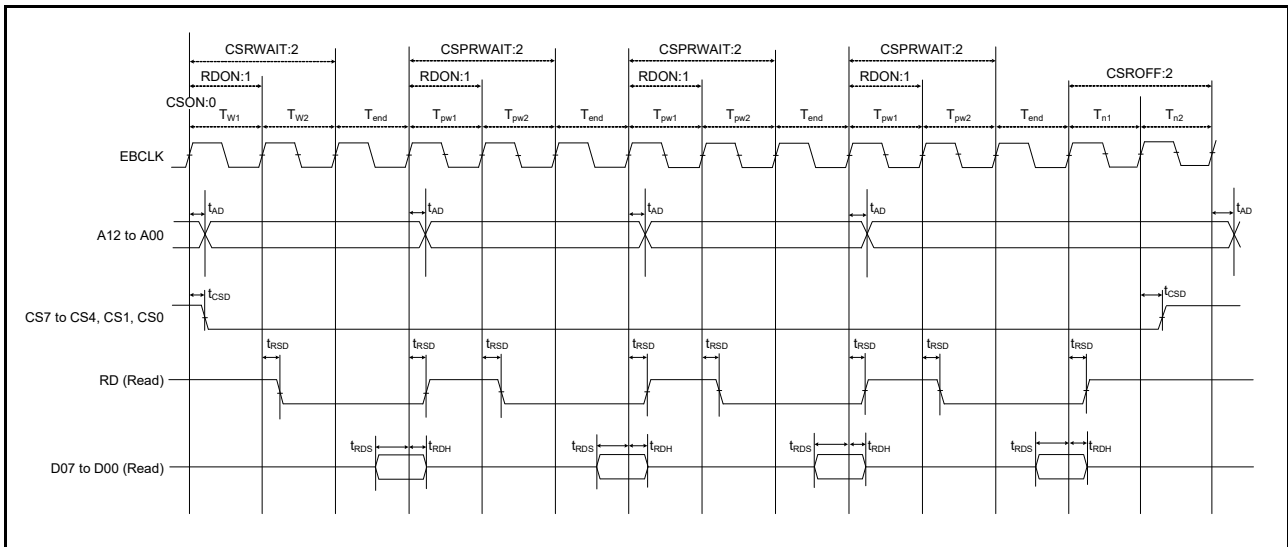


Figure 2.24 External bus timing for page read cycle with bus clock synchronized

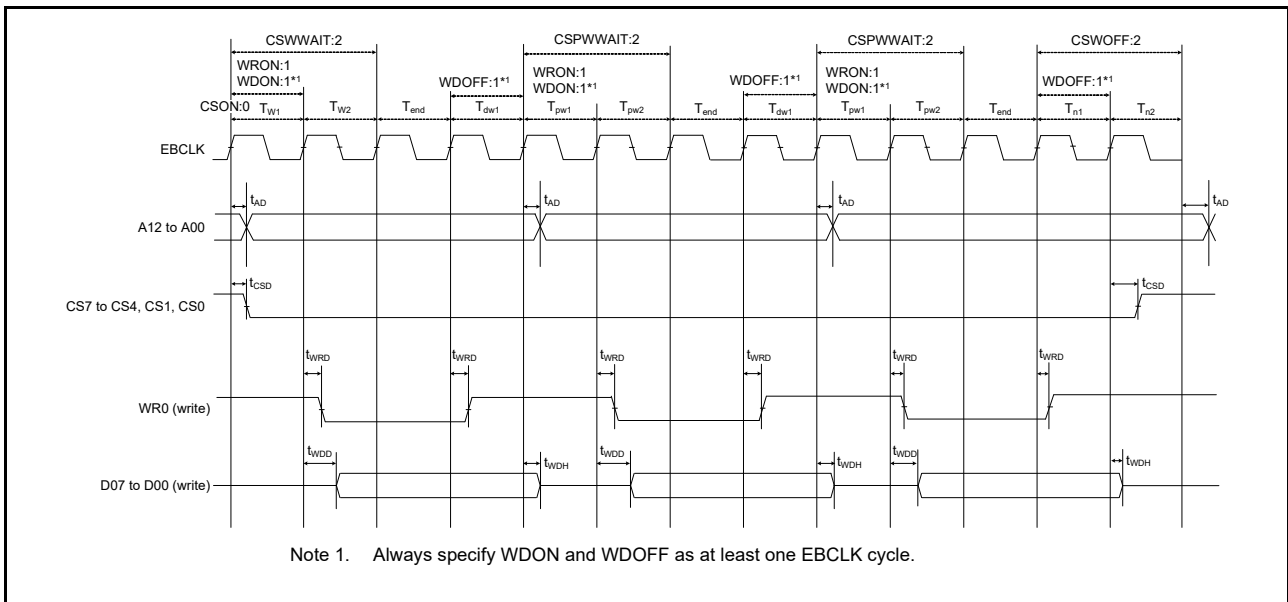


Figure 2.25 External bus timing for page write cycle with bus clock synchronized

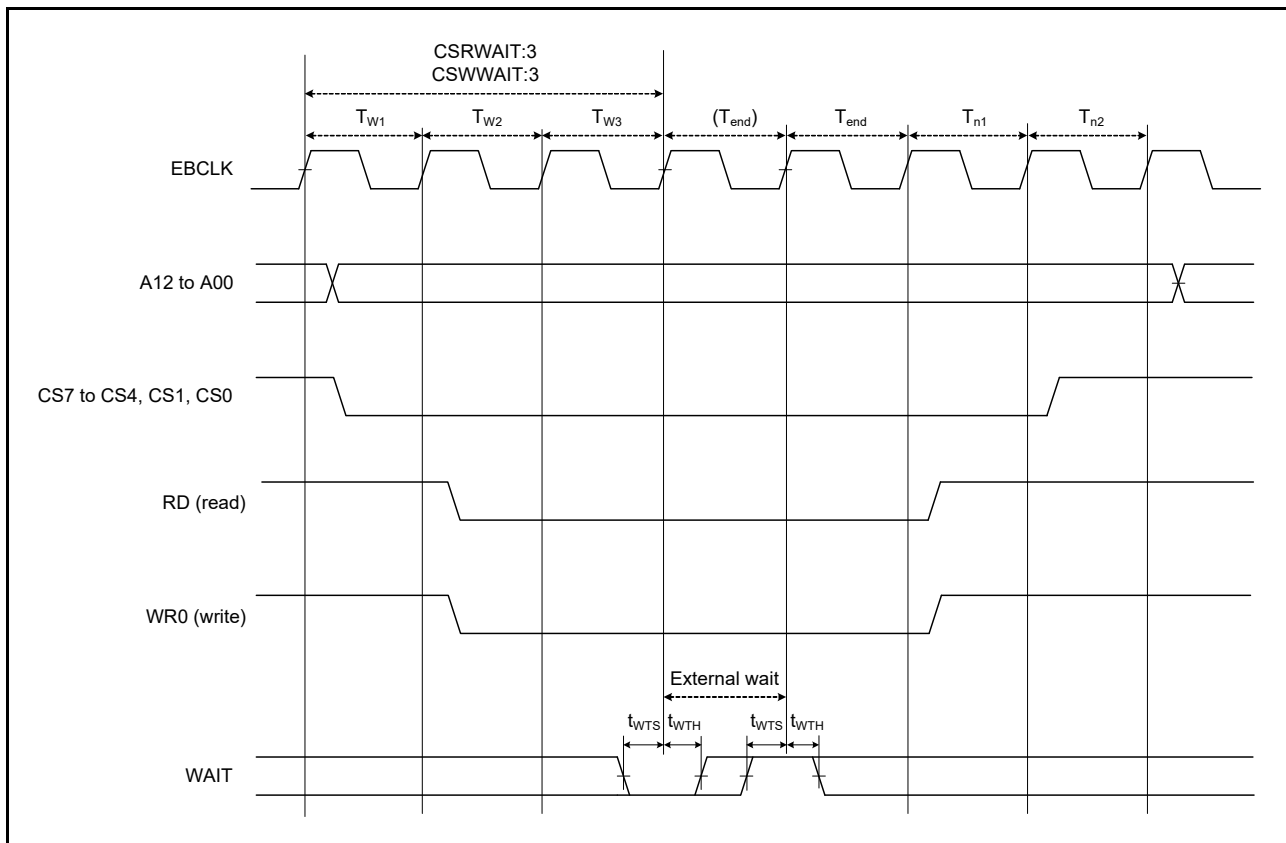


Figure 2.26 External bus timing for external wait control

2.3.7 I/O Ports, POEG, GPT32, AGT, KINT, and ADC12 Trigger Timing

Table 2.19 I/O ports, POEG, GPT32, AGT, KINT, and ADC12 trigger timing (1 of 2)

GPT32 conditions: High drive output is selected in the Port Drive Capability bit in the PmnPFS register.

AGT conditions: Middle drive output is selected in the Port Drive Capability bit in the PmnPFS register.

Parameter	Symbol	Min	Max	Unit	Test conditions		
I/O ports	Input data pulse width	$t_{PRW}$	1.5	-	$t_{Pcyc}$	Figure 2.27	
POEG	POEG input trigger pulse width	$t_{POEW}$	3	-	$t_{Pcyc}$	Figure 2.28	
GPT32	Input capture pulse width	Single edge	$t_{GTICW}$	1.5	-	$t_{PDcyc}$	Figure 2.29
		Dual edge		2.5	-		
	GTIOCxY output skew (x = 0 to 7, Y = A or B)	Middle drive buffer	$t_{GTISK}^{*2}$	-	4	ns	Figure 2.30
		High drive buffer		-	4		
	GTIOCxY output skew (x = 8 to 12, Y = A or B)	Middle drive buffer		-	4		
		High drive buffer		-	4		
GTIOCxY output skew (x = 0 to 12, Y = A or B)	Middle drive buffer	-	6				
	High drive buffer	-	6				
OPS output skew GTOUUP, GTOULO, GTOVUP, GTOVLO, GTOWUP, GTOWLO	$t_{GTOSK}$	-	5	ns	Figure 2.31		
GPT (PWM Delay Generation Circuit)	GTIOCxY_Z output skew (x = 0 to 3, Y = A or B, Z = A)	$t_{HRSK}^{*3}$	-	2.0	ns	Figure 2.32	

**Table 2.19 I/O ports, POEG, GPT32, AGT, KINT, and ADC12 trigger timing (2 of 2)**

GPT32 conditions: High drive output is selected in the Port Drive Capability bit in the PmnPFS register.

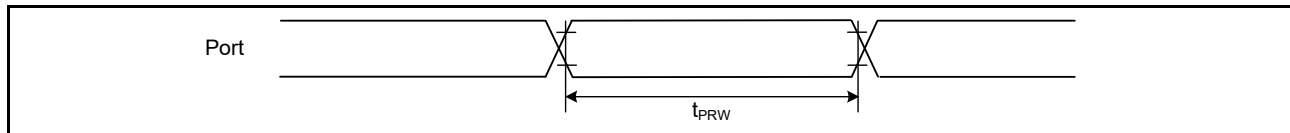
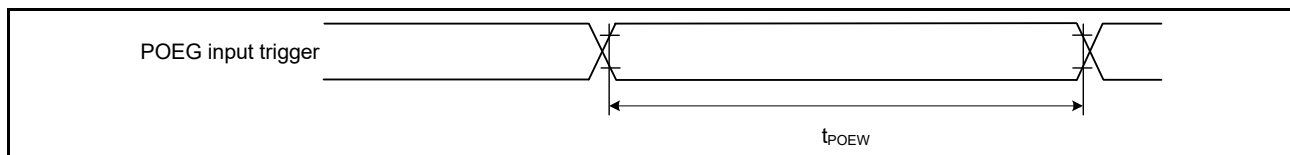
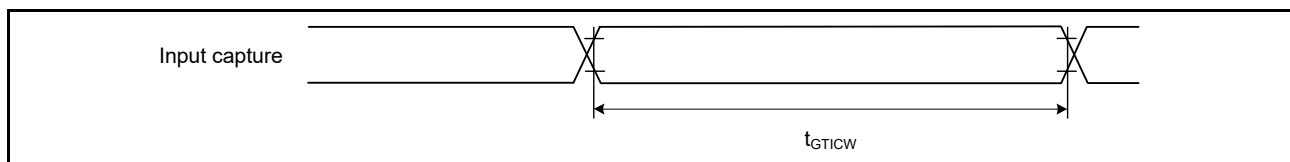
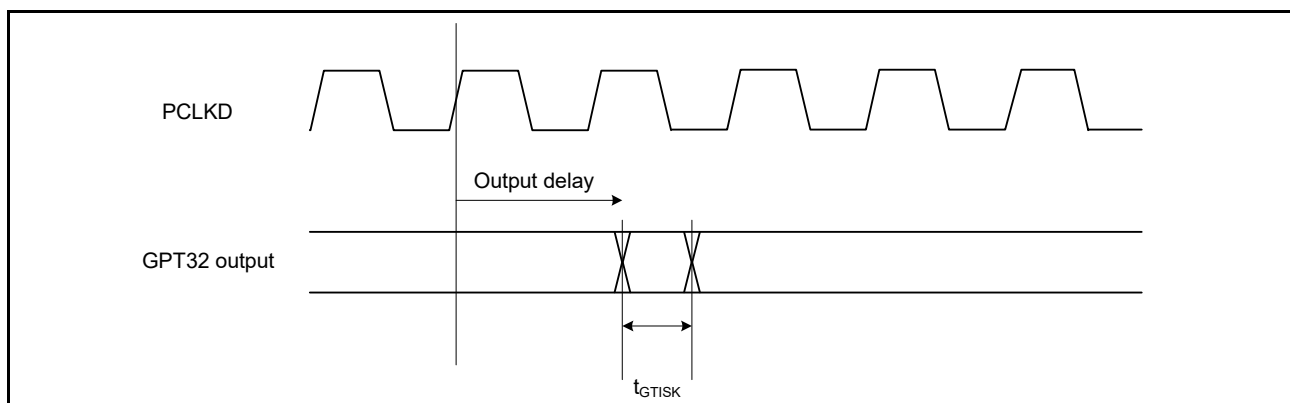
AGT conditions: Middle drive output is selected in the Port Drive Capability bit in the PmnPFS register.

Parameter	Symbol	Min	Max	Unit	Test conditions	
AGT	AGTIO, AGTEE input cycle	$t_{ACYC}^{*4}$	100	-	ns	Figure 2.33
	AGTIO, AGTEE input high width, low width	$t_{ACKWH}$ , $t_{ACKWL}$	40	-	ns	
	AGTIO, AGTO, AGTOA, AGTOB output cycle	$t_{ACYC2}$	62.5	-	ns	
ADC12	ADC12 trigger input pulse width	$t_{TRGW}$	1.5	-	$t_{Pcyc}$	Figure 2.34
KINT	KRn(n = 00 to 07) pulse width	$t_{KR}$	250	-	ns	Figure 2.35

Note 1.  $t_{Pcyc}$ : PCLKB cycle,  $t_{PDcyc}$ : PCLKD cycle.

Note 2. This skew applies when the same driver I/O is used. If the I/O of the middle and high drivers is mixed, operation is not guaranteed.

Note 3. The load is 30 pF.

Note 4. Constraints on AGTIO input:  $t_{Pcyc} \times 2 (t_{Pcyc}: \text{PCLKB cycle}) < t_{ACYC}$ .**Figure 2.27 I/O ports input timing****Figure 2.28 POEG input trigger timing****Figure 2.29 GPT32 input capture timing****Figure 2.30 GPT32 output delay skew**

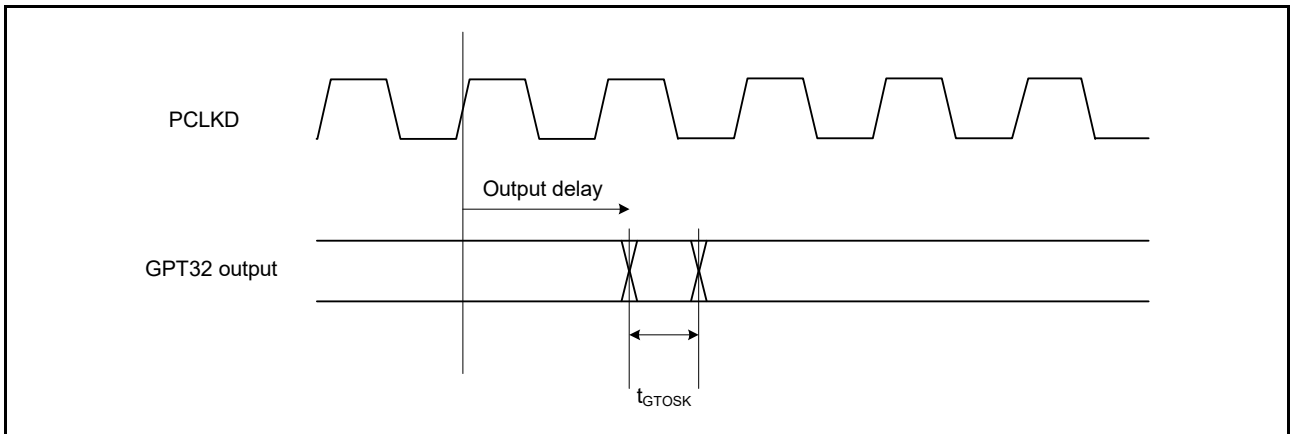


Figure 2.31 GPT32 output delay skew for OPS

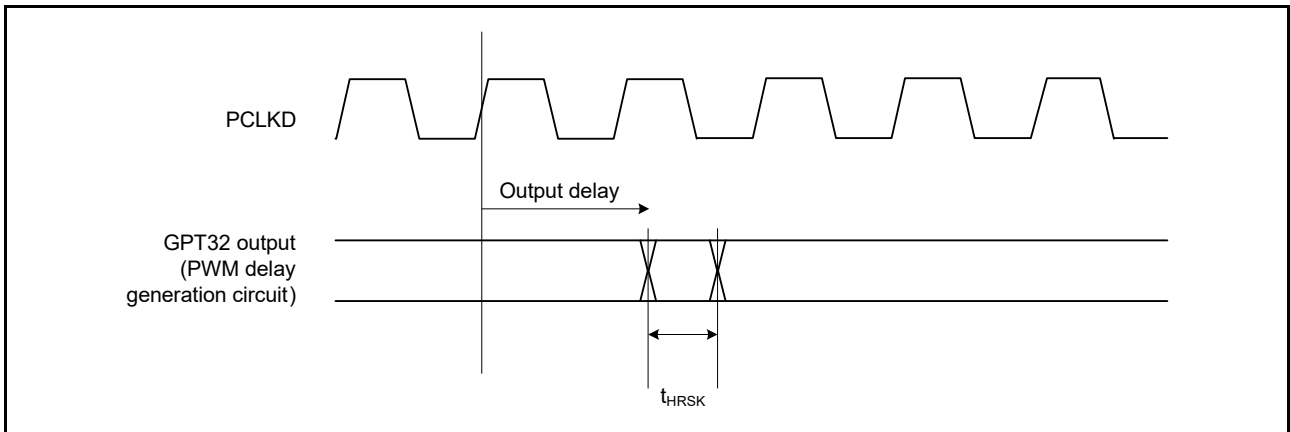


Figure 2.32 GPT32 (PWM delay generation circuit) output delay skew

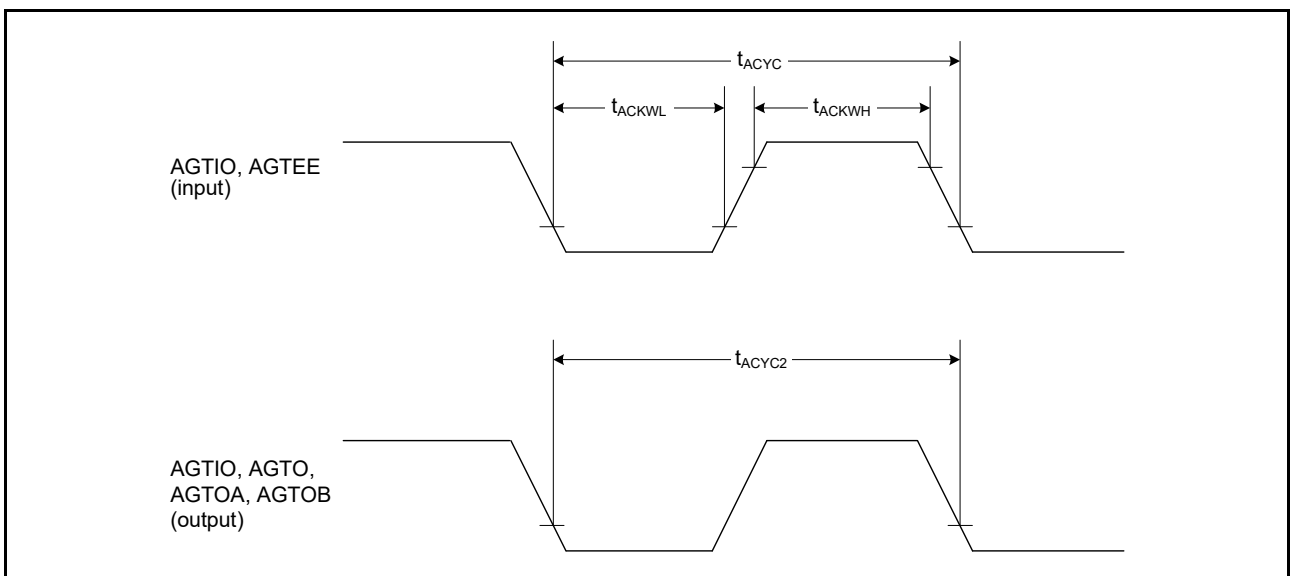


Figure 2.33 AGT input/output timing

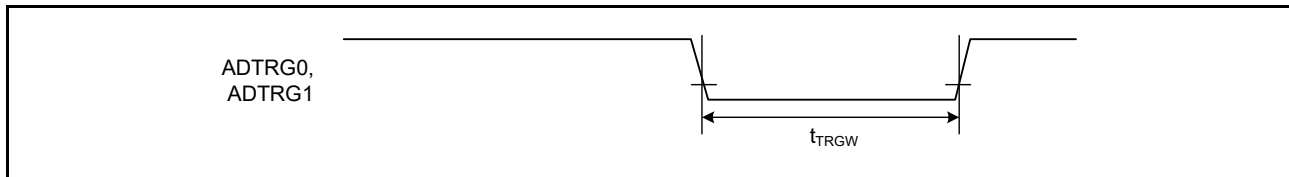


Figure 2.34 ADC12 trigger input timing

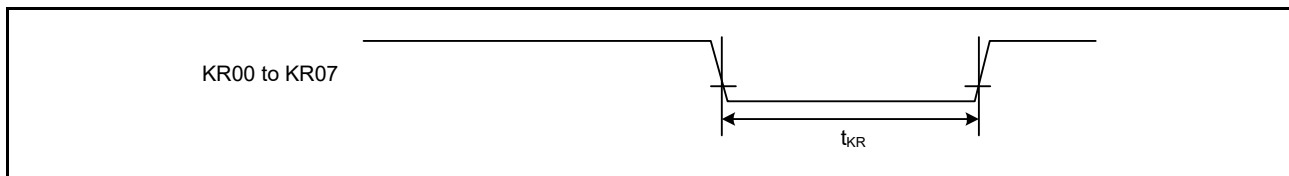


Figure 2.35 Key interrupt input timing

### 2.3.8 PWM Delay Generation Circuit Timing

Table 2.20 PWM Delay Generation Circuit timing

Parameter	Min	Typ	Max	Unit	Test conditions
Operation frequency	80	-	120	MHz	-
Resolution	-	260	-	ps	PCLKD = 120 MHz
DNL*1	-	±2.0	-	LSB	-

Note 1. This value normalizes the differences between lines in 1-LSB resolution.

### 2.3.9 CAC Timing

Table 2.21 CAC timing

Parameter		Symbol	Min	Typ	Max	Unit	Test conditions
CAC	CACREF input pulse width	$t_{CACREF}$	$t_{PBcyc} \leq t_{cac}^{*2}$	$4.5 \times t_{cac} + 3 \times t_{PBcyc}$	-	-	ns
			$t_{PBcyc} > t_{cac}^{*2}$	$5 \times t_{cac} + 6.5 \times t_{PBcyc}$	-	-	ns

Note 1.  $t_{PBcyc}$ : PCLKB cycle.

Note 2.  $t_{cac}$ : CAC count clock source cycle.



## 2.3.10 SCI Timing

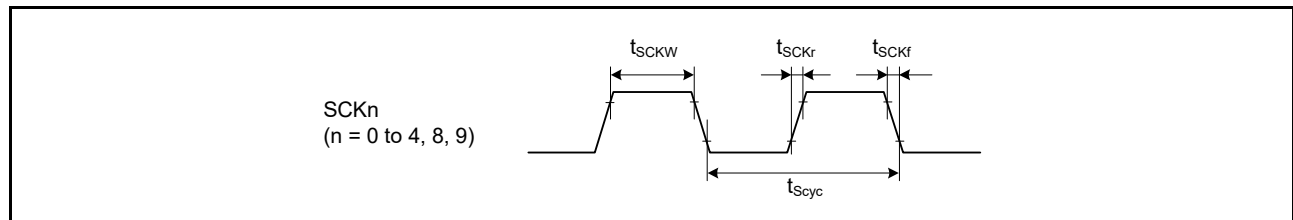
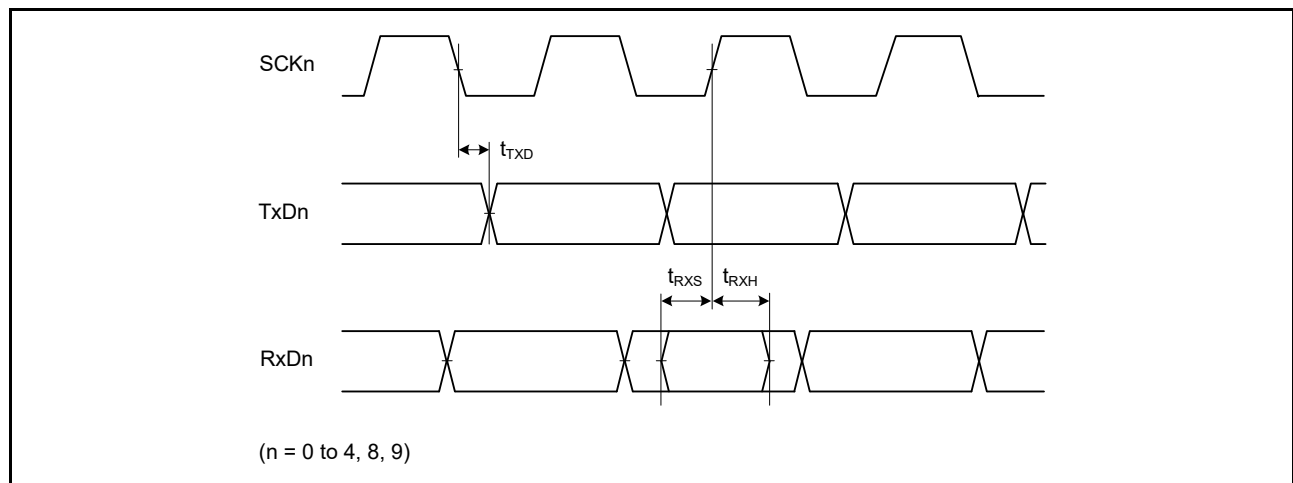
**Table 2.22 SCI timing (1)**

Conditions: High drive output is selected in the Port Drive Capability bit in the PmnPFS register for the following pins: SCK0 to SCK4, SCK8, SCK9.

For other pins, middle drive output is selected in the Port Drive Capability bit in the PmnPFS register.

Parameter		Symbol	Min	Max	Unit*1	Test conditions		
SCI	Input clock cycle	Asynchronous	$t_{Scyc}$	4	-	$t_{Pcyc}$	Figure 2.36	
		Clock synchronous		6	-			
	Input clock pulse width		$t_{SCKW}$	0.4	0.6	$t_{Scyc}$		
	Input clock rise time		$t_{SCKr}$	-	5	ns		
	Input clock fall time		$t_{SCKf}$	-	5	ns		
	Output clock cycle	Asynchronous	$t_{Scyc}$	6	-	$t_{Pcyc}$		
		Clock synchronous		4	-			
	Output clock pulse width		$t_{SCKW}$	0.4	0.6	$t_{Scyc}$		
	Output clock rise time		$t_{SCKr}$	-	5	ns		
	Output clock fall time		$t_{SCKf}$	-	5	ns		
	Transmit data delay	Clock synchronous	$t_{TXD}$	-	25	ns		Figure 2.37
	Receive data setup time	Clock synchronous	$t_{RXS}$	15	-	ns		
Receive data hold time	Clock synchronous	$t_{RXH}$	5	-	ns			

Note 1.  $t_{Pcyc}$ : PCLKA cycle.

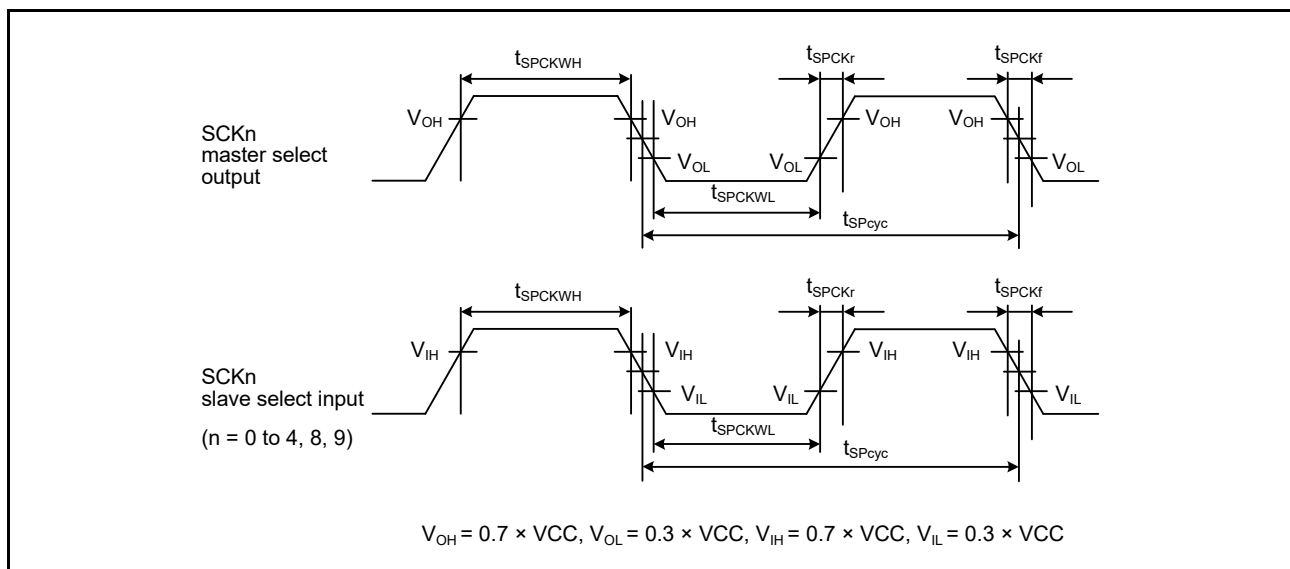
**Figure 2.36 SCK clock input/output timing****Figure 2.37 SCI input/output timing in clock synchronous mode**

**Table 2.23 SCI timing (2)**

Conditions: High drive output is selected in the Port Drive Capability bit in the PmnPFS register for the following pins: SCK0 to SCK4, SCK8, SCK9.

For other pins, middle drive output is selected in the Port Drive Capability bit in the PmnPFS register.

Parameter		Symbol	Min	Max	Unit	Test conditions
Simple SPI	SCK clock cycle output (master)	$t_{SPCyc}$	4 (PCLKA $\leq$ 60 MHz) 8 (PCLKA $>$ 60 MHz)	65536	$t_{PCyc}$	Figure 2.38  Figure 2.39 to Figure 2.42  Figure 2.42
	SCK clock cycle input (slave)	-	6 (PCLKA $\leq$ 60 MHz) 12 (PCLKA $>$ 60 MHz)	65536		
	SCK clock high pulse width	$t_{SPCKWH}$	0.4	0.6	$t_{SPCyc}$	
	SCK clock low pulse width	$t_{SPCKWL}$	0.4	0.6	$t_{SPCyc}$	
	SCK clock rise and fall time	$t_{SPCKr}$ , $t_{SPCKf}$	-	20	ns	
	Data input setup time	$t_{SU}$	33.3	-	ns	
	Data input hold time	$t_{H}$	33.3	-	ns	
	SS input setup time	$t_{LEAD}$	1	-	$t_{SPCyc}$	
	SS input hold time	$t_{LAG}$	1	-	$t_{SPCyc}$	
	Data output delay	$t_{OD}$	-	33.3	ns	
	Data output hold time	$t_{OH}$	-10	-	ns	
	Data rise and fall time	$t_{Dr}$ , $t_{Df}$	-	16.6	ns	
	SS input rise and fall time	$t_{SSLr}$ , $t_{SSLf}$	-	16.6	ns	
	Slave access time	$t_{SA}$	-	4 (PCLKA $\leq$ 60 MHz) 8 (PCLKA $>$ 60 MHz)	$t_{PCyc}$	
	Slave output release time	$t_{REL}$	-	5 (PCLKA $\leq$ 60 MHz) 10 (PCLKA $>$ 60 MHz)	$t_{PCyc}$	

**Figure 2.38 SCI simple SPI mode clock timing**

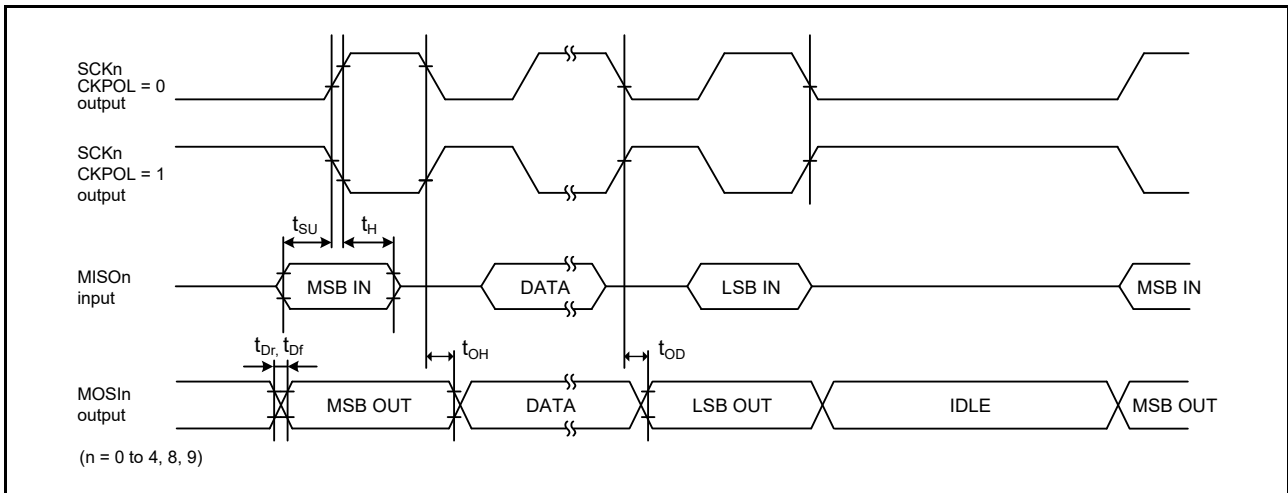


Figure 2.39 SCI simple SPI mode timing for master when CKPH = 1

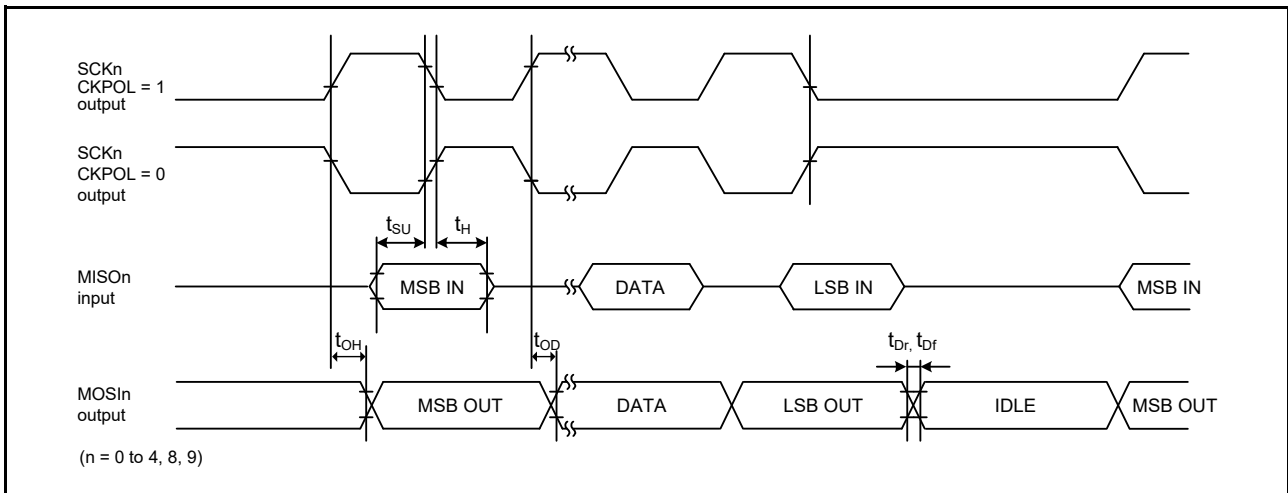


Figure 2.40 SCI simple SPI mode timing for master when CKPH = 0

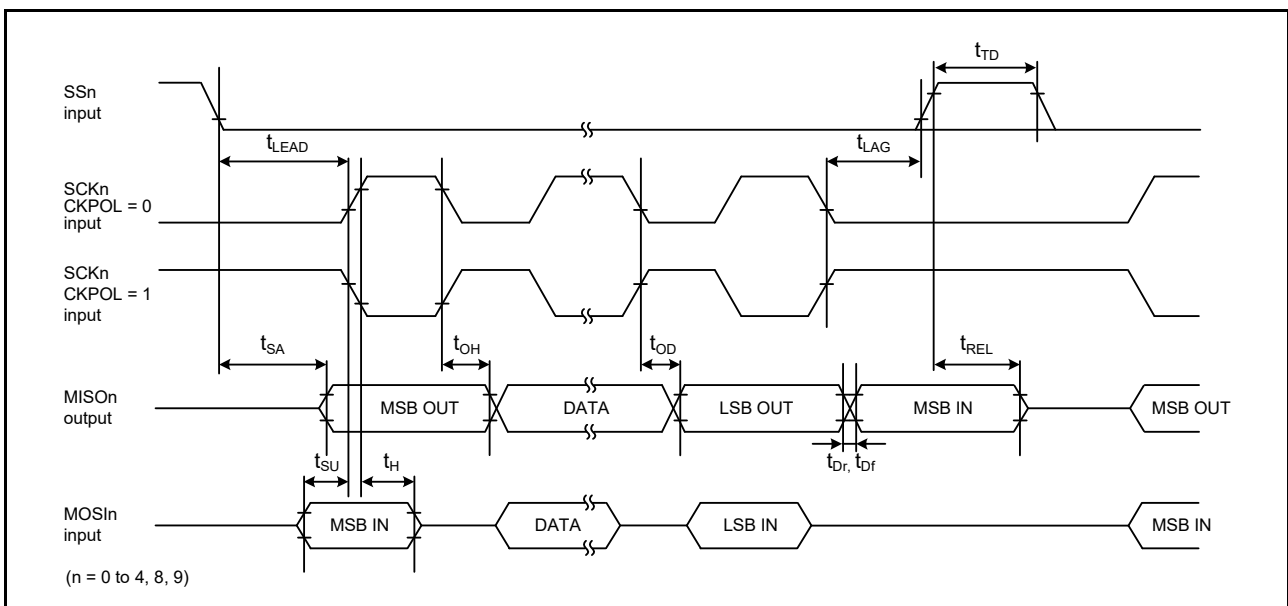


Figure 2.41 SCI simple SPI mode timing for slave when CKPH = 1

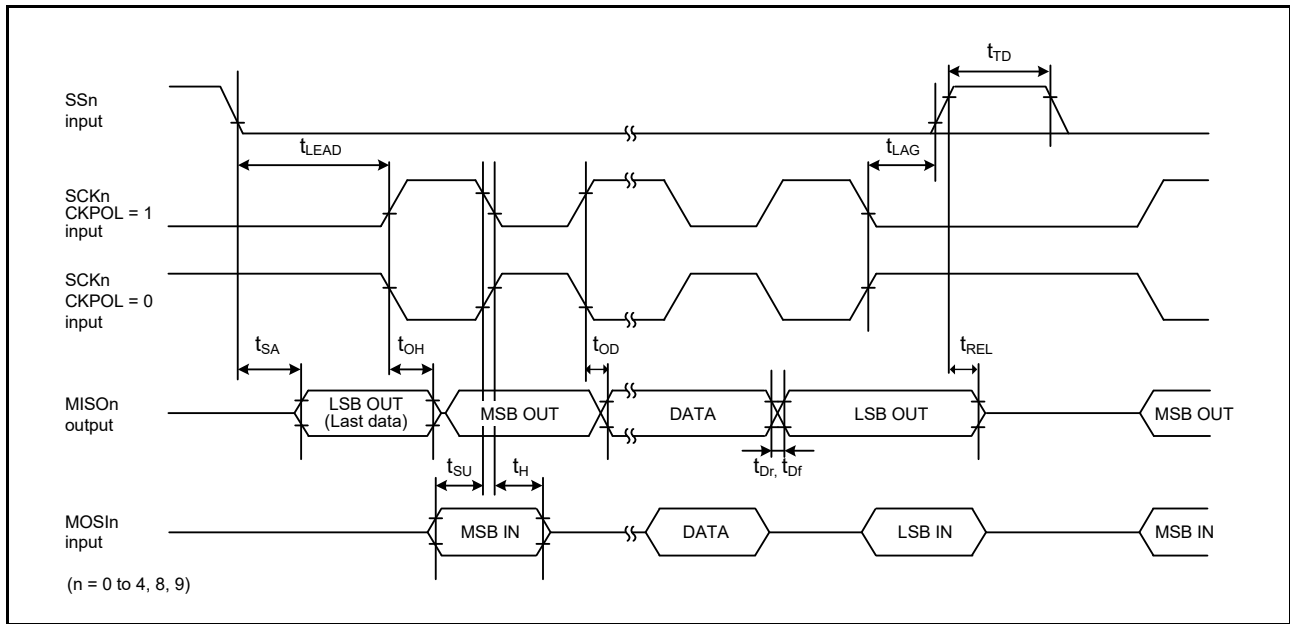


Figure 2.42 SCI simple SPI mode timing for slave when CKPH = 0

Table 2.24 SCI timing (3)

Conditions: Middle drive output is selected in the Port Drive Capability bit in the PmnPFS register.

Parameter	Symbol	Min	Max	Unit	Test conditions	
Simple IIC (Standard mode)	SDA input rise time	$t_{Sr}$	-	1000	ns	Figure 2.43
	SDA input fall time	$t_{Sf}$	-	300	ns	
	SDA input spike pulse removal time	$t_{SP}$	0	$4 \times t_{IICyc}$	ns	
	Data input setup time	$t_{SDAS}$	250	-	ns	
	Data input hold time	$t_{SDAH}$	0	-	ns	
	SCL, SDA capacitive load	$C_b^{*1}$	-	400	pF	
Simple IIC (Fast mode)	SDA input rise time	$t_{Sr}$	-	300	ns	Figure 2.43
	SDA input fall time	$t_{Sf}$	-	300	ns	
	SDA input spike pulse removal time	$t_{SP}$	0	$4 \times t_{IICyc}$	ns	
	Data input setup time	$t_{SDAS}$	100	-	ns	
	Data input hold time	$t_{SDAH}$	0	-	ns	
	SCL, SDA capacitive load	$C_b^{*1}$	-	400	pF	

Note:  $t_{IICyc}$ : IIC internal reference clock (IIC $\phi$ ) cycle.

Note 1.  $C_b$  indicates the total capacity of the bus line.

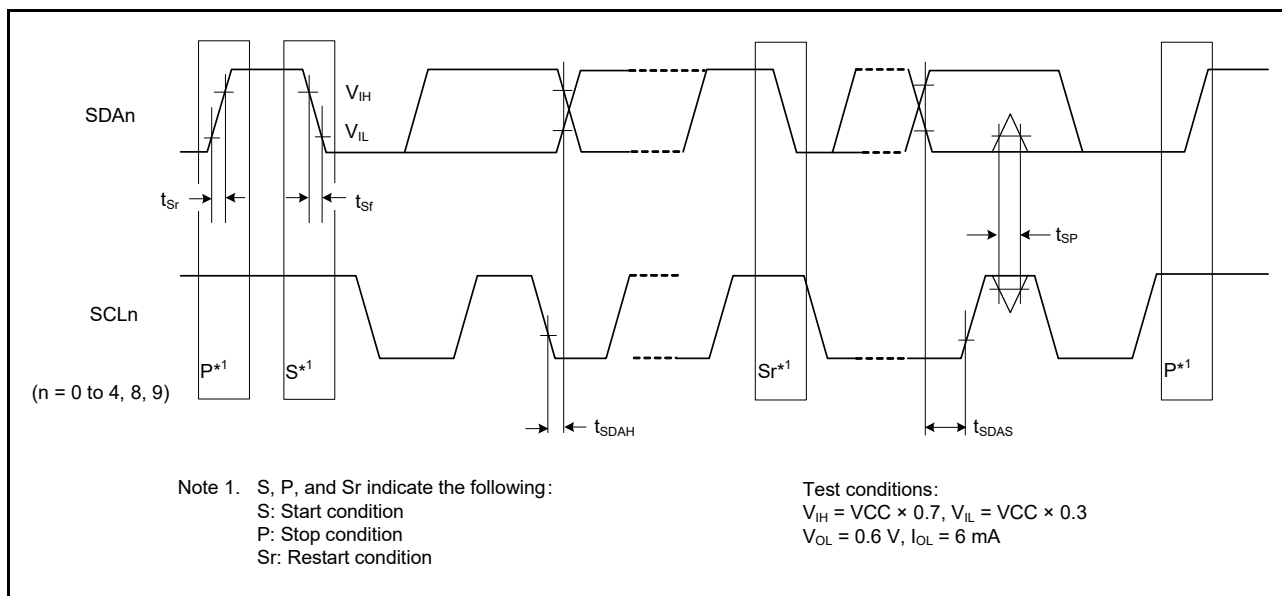


Figure 2.43 SCI simple IIC mode timing

## 2.3.11 SPI Timing

**Table 2.25 SPI timing**

Conditions:

For RSPCKA and RSPCKB pins, high drive output is selected with the Port Drive Capability bit in the PmnPFS register.

For other pins, middle drive output is selected in the Port Drive Capability bit in the PmnPFS register.

Parameter		Symbol	Min	Max	Unit*1	Test conditions*2	
SPI	RSPCK clock cycle	Master	$t_{SPCyc}$	2 (PCLKA ≤ 60 MHz) 4 (PCLKA > 60 MHz)	4096	$t_{Pcyc}$	Figure 2.44 C = 30 pF
		Slave		4	4096		
RSPCK clock high pulse width	Master	$t_{SPCKWH}$	$(t_{SPCyc} - t_{SPCKr} - t_{SPCKf}) / 2 - 3$	-	ns		
	Slave			$2 \times t_{Pcyc}$	-		
RSPCK clock low pulse width	Master	$t_{SPCKWL}$	$(t_{SPCyc} - t_{SPCKr} - t_{SPCKf}) / 2 - 3$	-	ns		
	Slave			$2 \times t_{Pcyc}$	-		
RSPCK clock rise and fall time	Master	$t_{SPCKr}$	-	5	ns		
	Slave	$t_{SPCKf}$	-	1	μs		
Data input setup time	Master	$t_{SU}$	4	-	ns	Figure 2.45 to Figure 2.50 C = 30 pF	
	Slave		5	-			
Data input hold time	Master (PCLKA division ratio set to 1/2)	$t_{HF}$	0	-	ns		
	Master (PCLKA division ratio set to a value other than 1/2)	$t_H$	$t_{Pcyc}$	-			
	Slave	$t_H$	20	-			
SSL setup time	Master	$t_{LEAD}$	$N \times t_{SPCyc} - 10^{*3}$	$N \times t_{SPCyc} + 100^{*3}$	ns		
	Slave		$6 \times t_{Pcyc}$	-	ns		
SSL hold time	Master	$t_{LAG}$	$N \times t_{SPCyc} - 10^{*4}$	$N \times t_{SPCyc} + 100^{*4}$	ns		
	Slave		$6 \times t_{Pcyc}$	-	ns		
Data output delay	Master	$t_{OD}$	-	6.3	ns		
	Slave		-	20			
Data output hold time	Master	$t_{OH}$	0	-	ns		
	Slave		0	-			
Successive transmission delay	Master	$t_{TD}$	$t_{SPCyc} + 2 \times t_{Pcyc}$	$8 \times t_{SPCyc} + 2 \times t_{Pcyc}$	ns		
	Slave		$6 \times t_{Pcyc}$				
MOSI and MISO rise and fall time	Output	$t_{Dr}, t_{Df}$	-	5	ns		
	Input		-	1	μs		
SSL rise and fall time	Output	$t_{SSLr}$	-	5	ns		
	Input	$t_{SSLf}$	-	1	μs		
Slave access time		$t_{SA}$	-	$2 \times t_{Pcyc} + 28$	ns	Figure 2.49 and Figure 2.50 C = 30 pF	
Slave output release time		$t_{REL}$	-	$2 \times t_{Pcyc} + 28$			

Note 1.  $t_{Pcyc}$ : PCLKA cycle.

- Note 2. Must use pins that have a letter appended to their name, for instance “\_A”, “\_B”, to indicate group membership. For the SPI interface, the AC portion of the electrical characteristics is measured for each group.
- Note 3. N is set to an integer from 1 to 8 by the SPCKD register.
- Note 4. N is set to an integer from 1 to 8 by the SSLND register.

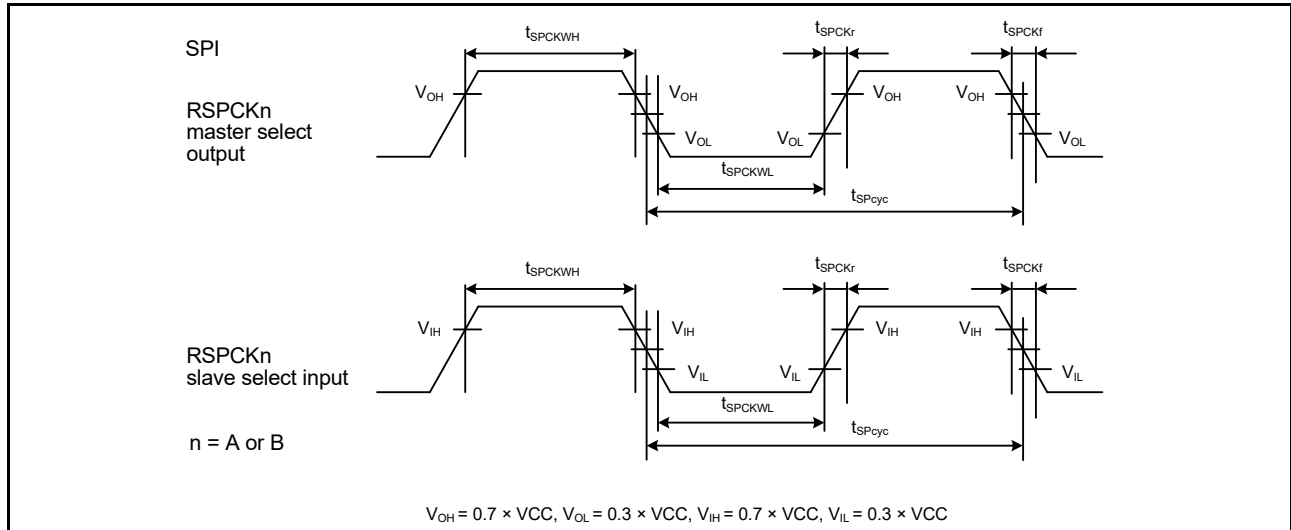


Figure 2.44 SPI clock timing

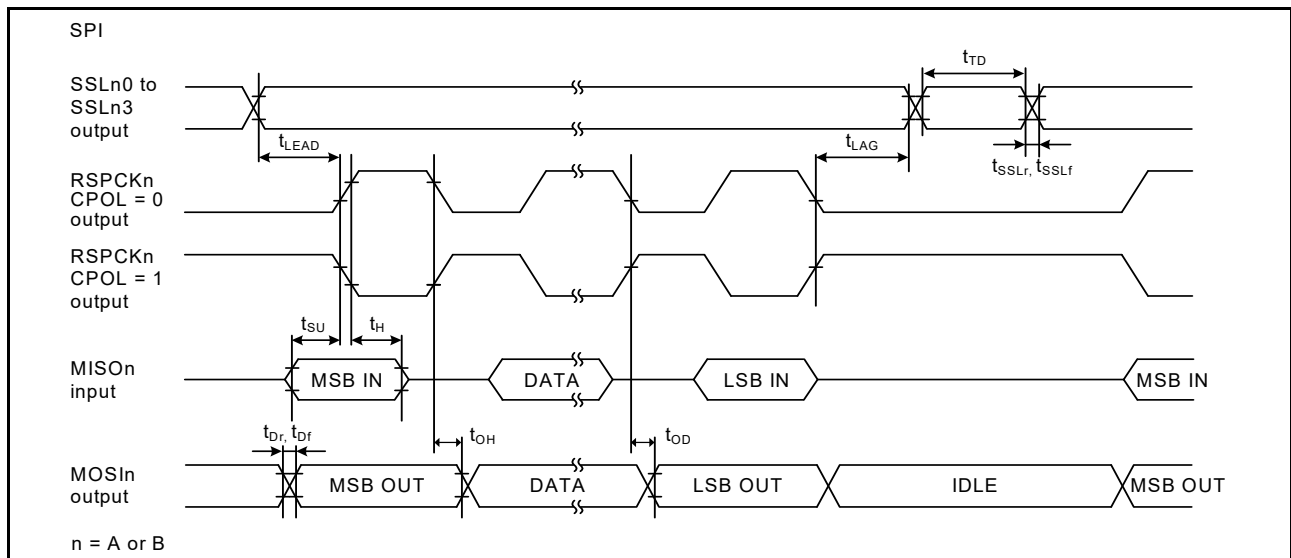


Figure 2.45 SPI timing for master when CPHA = 0

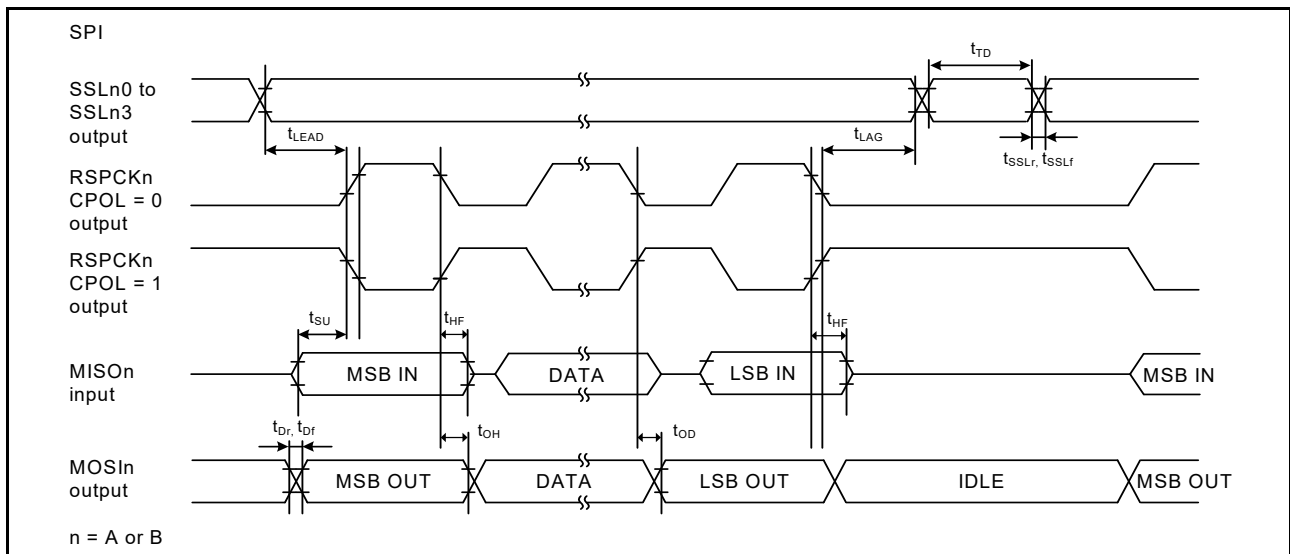


Figure 2.46 SPI timing for master when CPHA = 0 and the bit rate is set to PCLKA/2

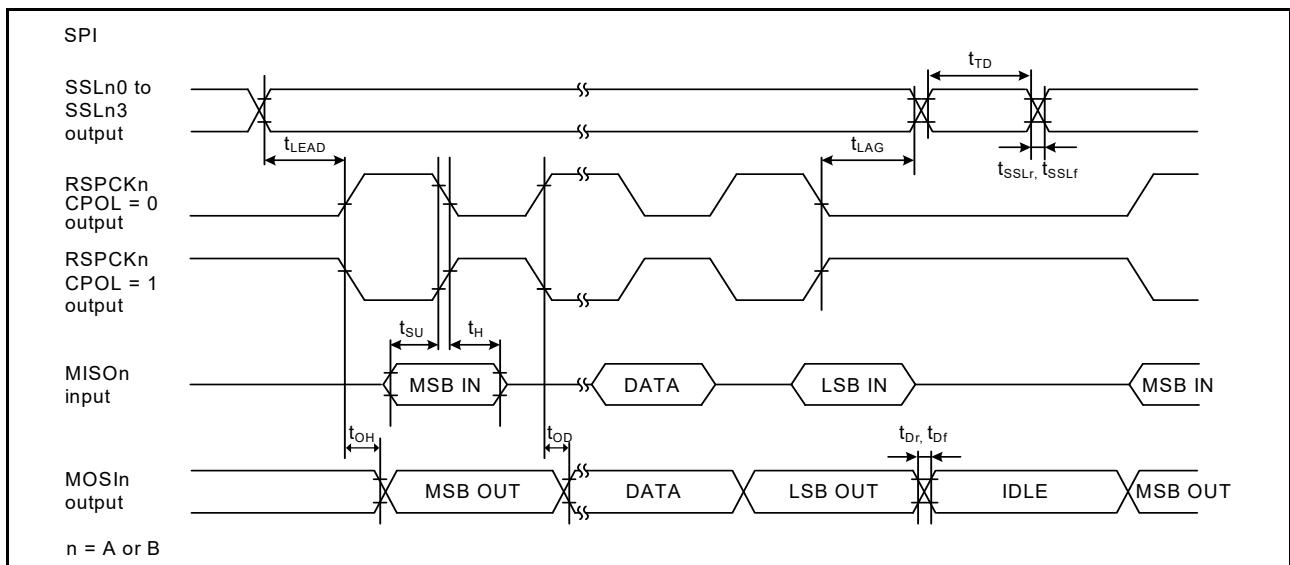


Figure 2.47 SPI timing for master when CPHA = 1



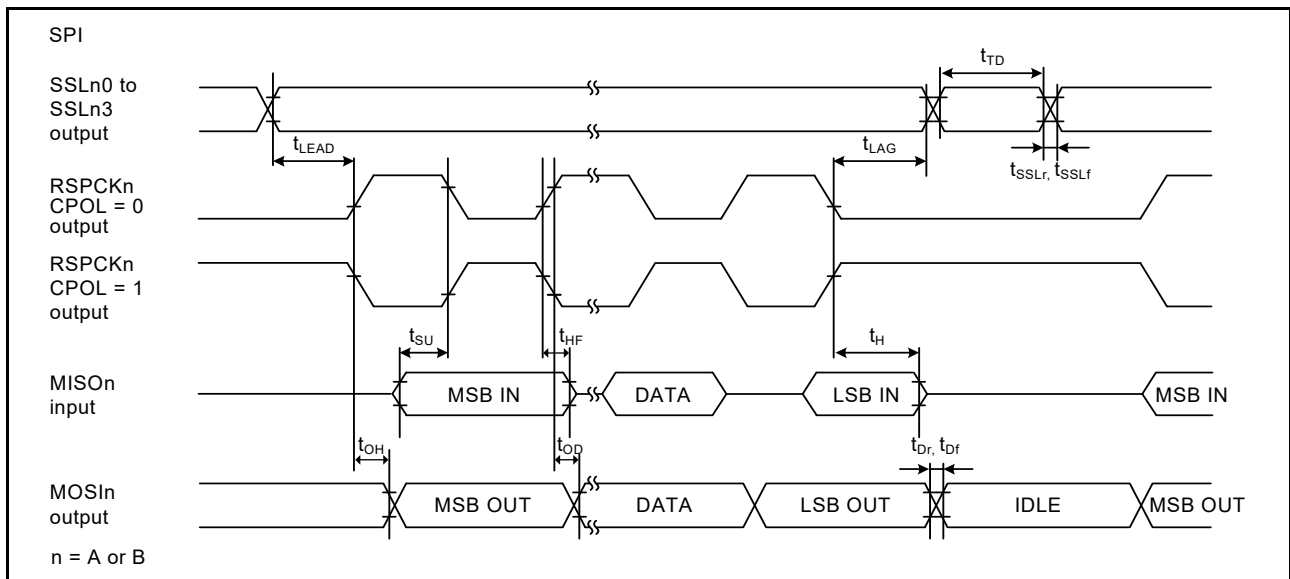


Figure 2.48 RSPI timing for master when CPHA = 1 and the bit rate is set to PCLKA/2

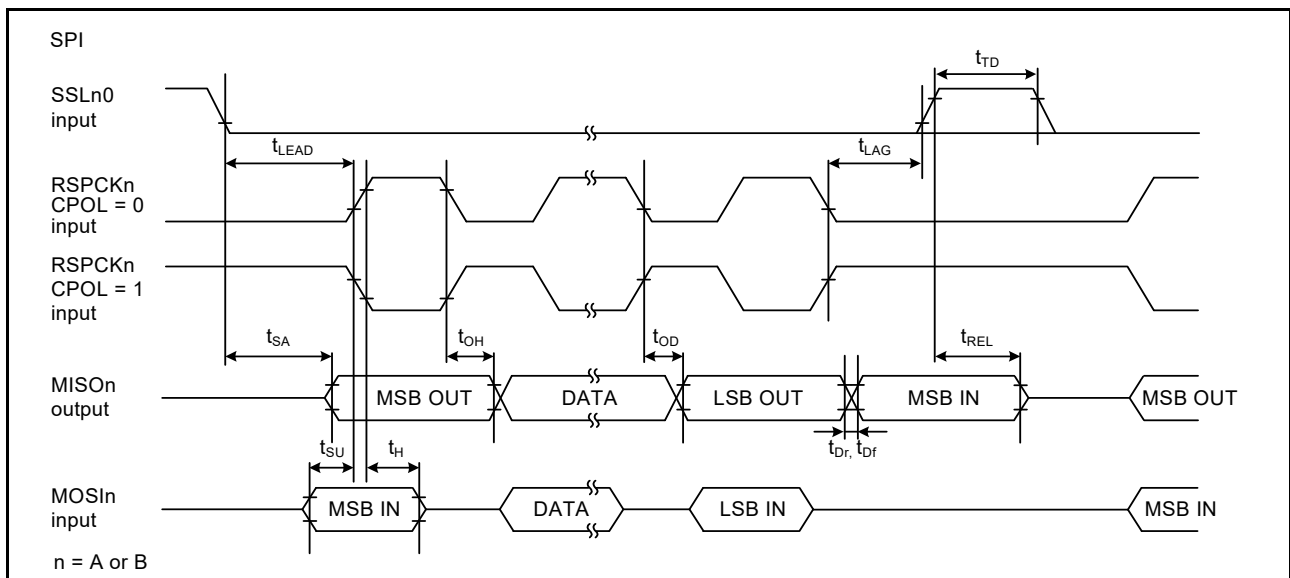


Figure 2.49 SPI timing for slave when CPHA = 0

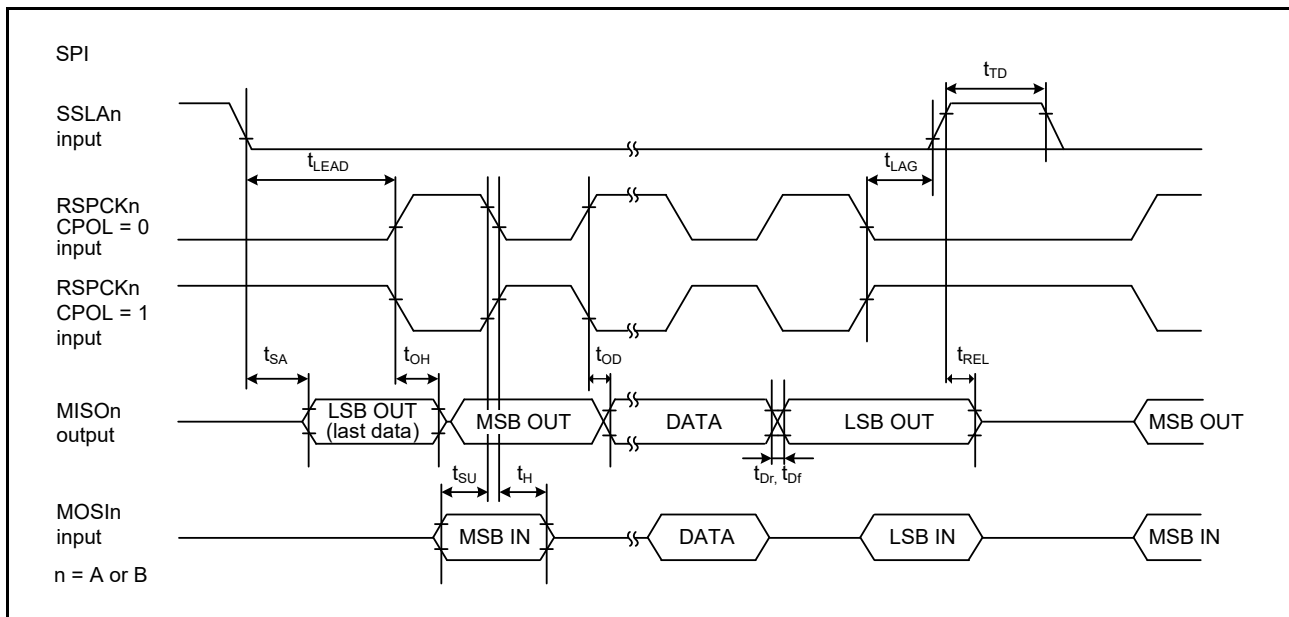


Figure 2.50 SPI timing for slave when CPHA = 1

### 2.3.12 QSPI Timing

Table 2.26 QSPI timing

Conditions: High drive output is selected in the Port Drive Capability bit in the PmnPFS register.

Parameter	Symbol	Min	Max	Unit*1	Test conditions
QSPI	QSPCK clock cycle	$t_{QScyc}$	48	$t_{Pcyc}$	Figure 2.51
	QSPCK clock high pulse width	$t_{QSWH}$	$t_{QScyc} \times 0.4$	ns	
	QSPCK clock low pulse width	$t_{QSWL}$	$t_{QScyc} \times 0.4$	ns	
	Data input setup time	$t_{Su}$	8	ns	Figure 2.52
	Data input hold time	$t_{IH}$	0	ns	
	QSSL setup time	$t_{LEAD}$	$(N+0.5) \times t_{QScyc} - 5 *2$	$(N+0.5) \times t_{QScyc} + 100 *2$	ns
	QSSL hold time	$t_{LAG}$	$(N+0.5) \times t_{QScyc} - 5 *3$	$(N+0.5) \times t_{QScyc} + 100 *3$	ns
	Data output delay	$t_{OD}$	-	4	ns
	Data output hold time	$t_{OH}$	-3.3	-	ns
	Successive transmission delay	$t_{TD}$	1	16	$t_{QScyc}$

Note 1.  $t_{Pcyc}$ : PCLKA cycle.

Note 2. N is set to 0 or 1 in SFMSLD.

Note 3. N is set to 0 or 1 in SFMSHD.

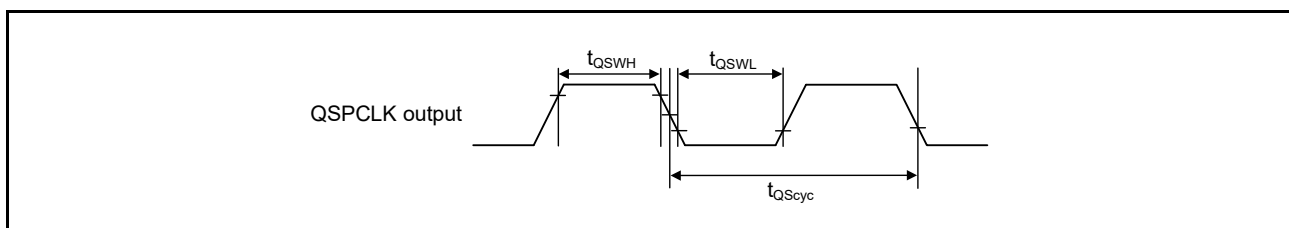


Figure 2.51 QSPI clock timing

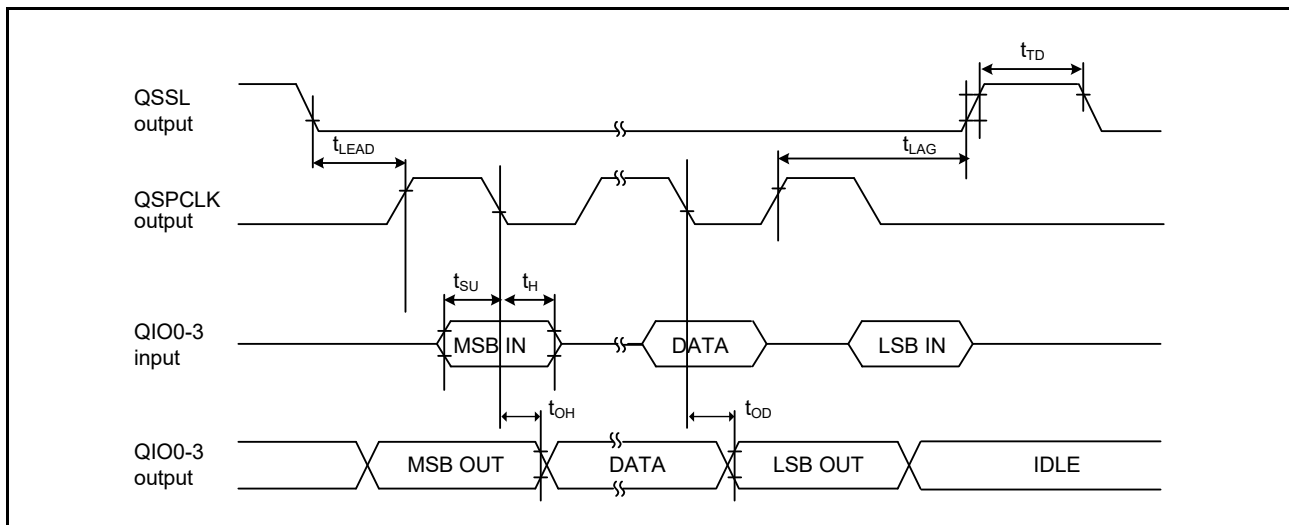


Figure 2.52 Transmit and receive timing

### 2.3.13 IIC Timing

Table 2.27 IIC timing (1) (1 of 2)

- (1) Conditions: Middle drive output is selected in the Port Drive Capability bit in the PmnPFS register for the following pins: SDA0\_B, SCL0\_B, SDA1\_A, SCL1\_A, SDA1\_B, SCL1\_B.  
 (2) The following pins do not require setting: SCL0\_A, SDA0\_A.  
 (3) Use pins that have a letter appended to their names, for instance “\_A” or “\_B”, to indicate group membership. For the IIC interface, the AC portion of the electrical characteristics is measured for each group.

Parameter	Symbol	Min*1	Max	Unit	Test conditions*3	
IIC (Standard mode, SMBus) ICFER.FMPE = 0	SCL input cycle time	$t_{SCL}$	$6 (12) \times t_{IICcyc} + 1300$	-	ns	Figure 2.53
	SCL input high pulse width	$t_{SCLH}$	$3 (6) \times t_{IICcyc} + 300$	-	ns	
	SCL input low pulse width	$t_{SCLL}$	$3 (6) \times t_{IICcyc} + 300$	-	ns	
	SCL, SDA input rise time	$t_{Sr}$	-	1000	ns	
	SCL, SDA input fall time	$t_{Sf}$	-	300	ns	
	SCL, SDA input spike pulse removal time	$t_{SP}$	0	$1 (4) \times t_{IICcyc}$	ns	
	SDA input bus free time when wakeup function is disabled	$t_{BUF}$	$3 (6) \times t_{IICcyc} + 300$	-	ns	
	SDA input bus free time when wakeup function is enabled	$t_{BUF}$	$3 (6) \times t_{IICcyc} + 4 \times t_{Pcyc} + 300$	-	ns	
	START condition input hold time when wakeup function is disabled	$t_{STAH}$	$t_{IICcyc} + 300$	-	ns	
	START condition input hold time when wakeup function is enabled	$t_{STAH}$	$1 (5) \times t_{IICcyc} + t_{Pcyc} + 300$	-	ns	
	Repeated START condition input setup time	$t_{STAS}$	1000	-	ns	
	STOP condition input setup time	$t_{STOS}$	1000	-	ns	
	Data input setup time	$t_{SDAS}$	$t_{IICcyc} + 50$	-	ns	
	Data input hold time	$t_{SDAH}$	0	-	ns	
	SCL, SDA capacitive load	$C_b$	-	400	pF	

**Table 2.27 IIC timing (1) (2 of 2)**

- (1) Conditions: Middle drive output is selected in the Port Drive Capability bit in the PmnPFS register for the following pins: SDA0\_B, SCL0\_B, SDA1\_A, SCL1\_A, SDA1\_B, SCL1\_B.  
 (2) The following pins do not require setting: SCL0\_A, SDA0\_A.  
 (3) Use pins that have a letter appended to their names, for instance “\_A” or “\_B”, to indicate group membership. For the IIC interface, the AC portion of the electrical characteristics is measured for each group.

Parameter	Symbol	Min*1	Max	Unit	Test conditions*3	
IIC (Fast mode)	SCL input cycle time	$t_{SCL}$	$6 (12) \times t_{IICcyc} + 600$	-	ns	Figure 2.53
	SCL input high pulse width	$t_{SCLH}$	$3 (6) \times t_{IICcyc} + 300$	-	ns	
	SCL input low pulse width	$t_{SCLL}$	$3 (6) \times t_{IICcyc} + 300$	-	ns	
	SCL, SDA input rise time	$t_{Sr}$	$20 \times (\text{external pullup voltage}/5.5V)^2$	300	ns	
	SCL, SDA input fall time	$t_{Sf}$	$20 \times (\text{external pullup voltage}/5.5V)^2$	300	ns	
	SCL, SDA input spike pulse removal time	$t_{SP}$	0	$1 (4) \times t_{IICcyc}$	ns	
	SDA input bus free time when wakeup function is disabled	$t_{BUF}$	$3 (6) \times t_{IICcyc} + 300$	-	ns	
	SDA input bus free time when wakeup function is enabled	$t_{BUF}$	$3 (6) \times t_{IICcyc} + 4 \times t_{Pcyc} + 300$	-	ns	
	START condition input hold time when wakeup function is disabled	$t_{STAH}$	$t_{IICcyc} + 300$	-	ns	
	START condition input hold time when wakeup function is enabled	$t_{STAH}$	$1 (5) \times t_{IICcyc} + t_{Pcyc} + 300$	-	ns	
	Repeated START condition input setup time	$t_{STAS}$	300	-	ns	
	STOP condition input setup time	$t_{STOS}$	300	-	ns	
	Data input setup time	$t_{SDAS}$	$t_{IICcyc} + 50$	-	ns	
	Data input hold time	$t_{SDAH}$	0	-	ns	
SCL, SDA capacitive load	$C_b$	-	400	pF		

Note:  $t_{IICcyc}$ : IIC internal reference clock (IIC $\phi$ ) cycle,  $t_{Pcyc}$ : PCLKB cycle.

Note 1. Values in parentheses apply when ICMR3.NF[1:0] is set to 11b while the digital filter is enabled with ICFER.NFE set to 1.

Note 2. Only supported for SCL0\_A, SDA0\_A.

Note 3. Must use pins that have a letter appended to their name, for instance “\_A”, “\_B”, to indicate group membership. For the IIC interface, the AC portion of the electrical characteristics is measured for each group.

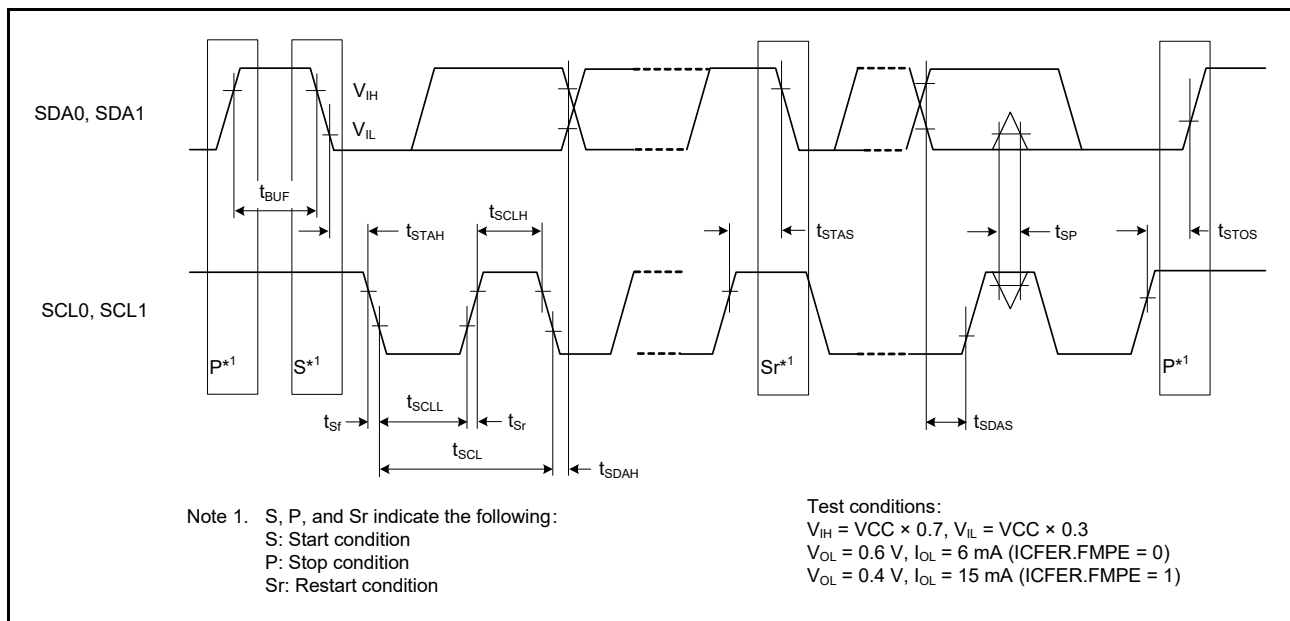
**Table 2.28 IIC timing (2)**

Setting of the SCL0\_A, SDA0\_A pins is not required with the Port Drive Capability bit in the PmnPFS register.

Parameter	Symbol	Min <sup>*1,*2</sup>	Max	Unit	Test conditions	
IIC (Fast mode+) ICFER.FMPE = 1	SCL input cycle time	$t_{SCL}$	$6 (12) \times t_{IICcyc} + 240$	-	ns	Figure 2.53
	SCL input high pulse width	$t_{SCLH}$	$3 (6) \times t_{IICcyc} + 120$	-	ns	
	SCL input low pulse width	$t_{SCLL}$	$3 (6) \times t_{IICcyc} + 120$	-	ns	
	SCL, SDA input rise time	$t_{Sr}$	-	120	ns	
	SCL, SDA input fall time	$t_{Sf}$	-	120	ns	
	SCL, SDA input spike pulse removal time	$t_{SP}$	0	$1 (4) \times t_{IICcyc}$	ns	
	SDA input bus free time when wakeup function is disabled	$t_{BUF}$	$3 (6) \times t_{IICcyc} + 120$	-	ns	
	SDA input bus free time when wakeup function is enabled	$t_{BUF}$	$3 (6) \times t_{IICcyc} + 4 \times t_{Pcyc} + 120$	-	ns	
	Start condition input hold time when wakeup function is disabled	$t_{STAH}$	$t_{IICcyc} + 120$	-	ns	
	START condition input hold time when wakeup function is enabled	$t_{STAH}$	$1 (5) \times t_{IICcyc} + t_{Pcyc} + 120$	-	ns	
	Restart condition input setup time	$t_{STAS}$	120	-	ns	
	Stop condition input setup time	$t_{STOS}$	120	-	ns	
	Data input setup time	$t_{SDAS}$	$t_{IICcyc} + 30$	-	ns	
	Data input hold time	$t_{SDAH}$	0	-	ns	
	SCL, SDA capacitive load	$C_b$	-	550	pF	

Note:  $t_{IICcyc}$ : IIC internal reference clock (IIC $\phi$ ) cycle,  $t_{Pcyc}$ : PCLKB cycle.

Note 1. Values in parentheses apply when ICMR3.NF[1:0] is set to 11b while the digital filter is enabled with ICFER.NFE set to 1.

Note 2.  $C_b$  indicates the total capacity of the bus line.**Figure 2.53 I<sup>2</sup>C bus interface input/output timing**

## 2.3.14 SSIE Timing

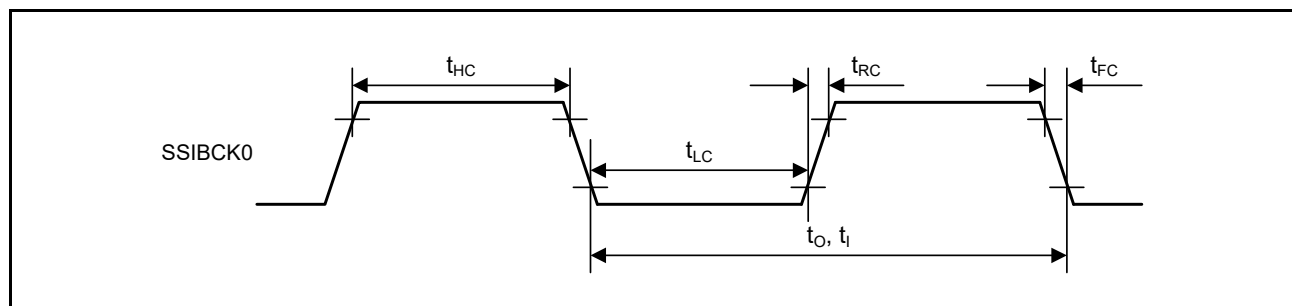
**Table 2.29 SSIE timing**

(1) High drive output is selected with the Port Drive Capability bit in the PmnPFS register.

(2) Use pins that have a letter appended to their names, for instance “\_A” or “\_B” to indicate group membership. For the SSIE interface, the AC portion of the electrical characteristics is measured for each group.

Parameter			Symbol	Target specification		Unit	Comments
				Min.	Max.		
SSIBCK0	Cycle	Master	$t_O$	80	-	ns	Figure 2.54
		Slave	$t_I$	80	-	ns	
	High level/low level	Master	$t_{HC}/t_{LC}$	0.35	-	$t_O$	
		Slave		0.35	-	$t_I$	
	Rising time/falling time	Master	$t_{RC}/t_{FC}$	-	0.15	$t_O / t_I$	
		Slave		-	0.15	$t_O / t_I$	
SSILRCK0/SSIFS0, SSITXD0, SSIRXD0	Input set up time	Master	$t_{SR}$	12	-	ns	Figure 2.56, Figure 2.57
		Slave		12	-	ns	
	Input hold time	Master	$t_{HR}$	8	-	ns	Figure 2.56, Figure 2.57
		Slave		15	-	ns	
	Output delay time	Master	$t_{DTR}$	-10	5	ns	Figure 2.56, Figure 2.57
		Slave		0	20	ns	
	Output delay time from SSILRCK0/SSIFS0 change	Slave	$t_{DTRW}$	-	20	ns	Figure 2.58*1
	GTIOC1A, AUDIO_CLK	Cycle		$t_{EXcyc}$	20	-	ns
High level/low level			$t_{EXL}/$ $t_{EXH}$	0.4	0.6	$t_{EXcyc}$	

Note 1. For slave-mode transmission, SSIE has a path through which the signal input from the SSILRCK0/SSIFS0 pin is used to generate transmit data, and the transmit data is logically output to the SSITXD0 pin.

**Figure 2.54 SSIE clock input/output timing**

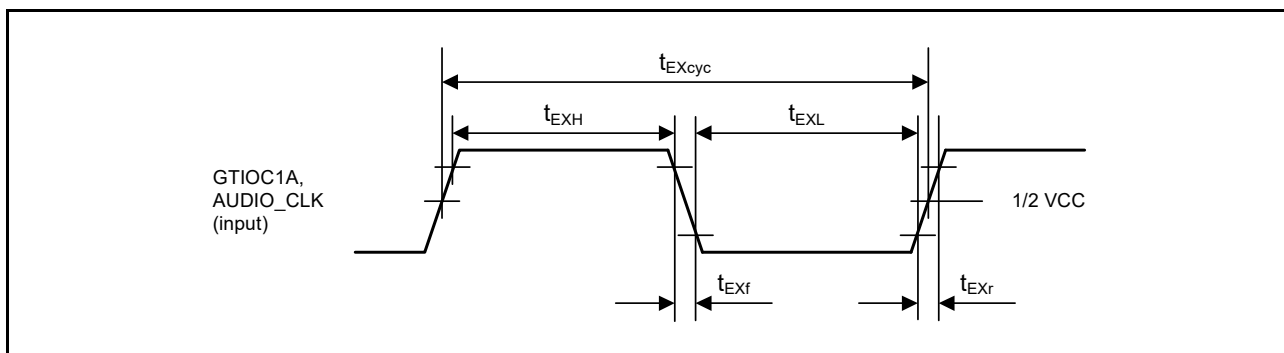


Figure 2.55 Clock input timing

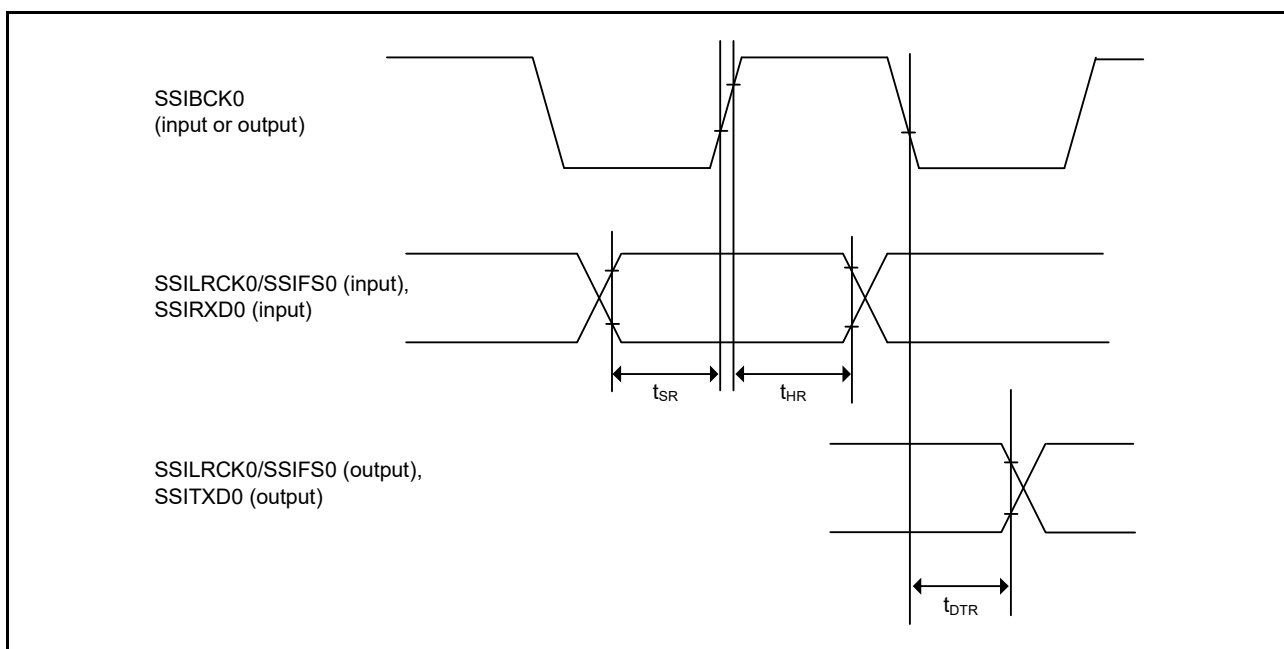


Figure 2.56 SSIE data transmit and receive timing when SSICR.BCKP = 0

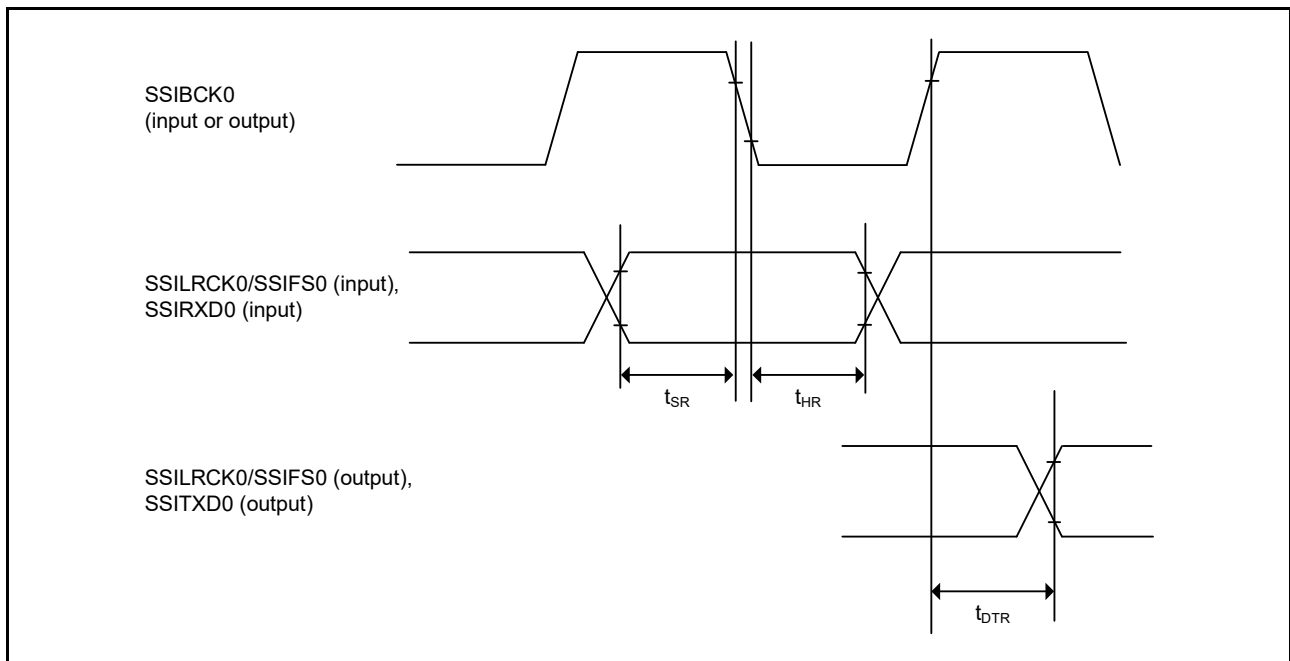


Figure 2.57 SSIE data transmit and receive timing when SSICR.BCKP = 1

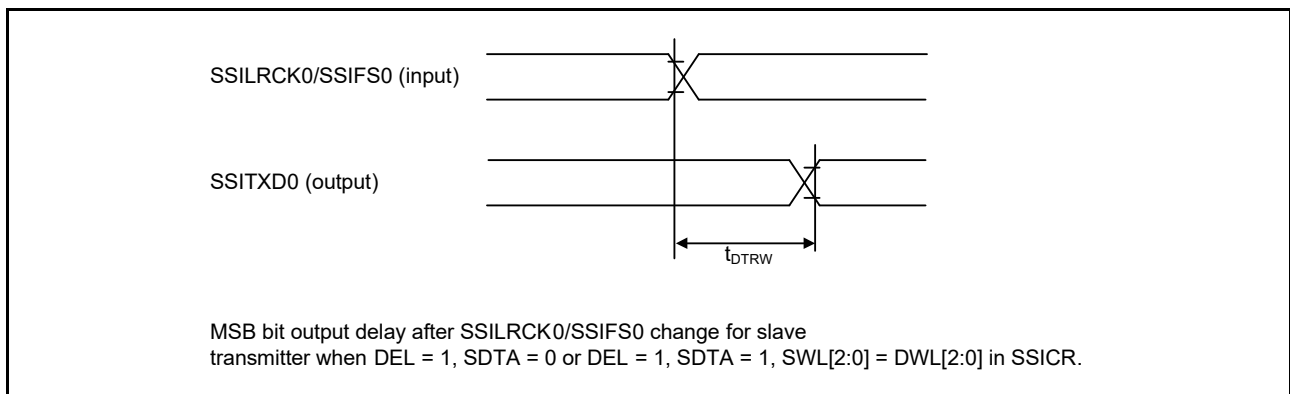


Figure 2.58 SSIE data output delay after SSILRCK0/SSIFS0 change

### 2.3.15 SD/MMC Host Interface Timing

Table 2.30 SD/MMC Host Interface signal timing

Conditions: High drive output is selected in the Port Drive Capability bit in the PmnPFS register.  
Clock duty ratio is 50%.

Parameter	Symbol	Min	Max	Unit	Test conditions*1
SDCLK clock cycle	$T_{SDCYC}$	20	-	ns	Figure 2.59
SDCLK clock high pulse width	$T_{SDWH}$	6.5	-	ns	
SDCLK clock low pulse width	$T_{SDWL}$	6.5	-	ns	
SDCLK clock rise time	$T_{SDLH}$	-	3	ns	
SDCLK clock fall time	$T_{SDHL}$	-	3	ns	
SDCMD/SDDAT output data delay	$T_{SDODLY}$	-6	5	ns	
SDCMD/SDDAT input data setup	$T_{SDIS}$	4	-	ns	
SDCMD/SDDAT input data hold	$T_{SDIH}$	2	-	ns	

Note 1. Must use pins that have a letter appended to their name, for instance “\_A”, “\_B”, to indicate group membership.  
For the SD/MMC Host interface, the AC portion of the electrical characteristics is measured for each group.



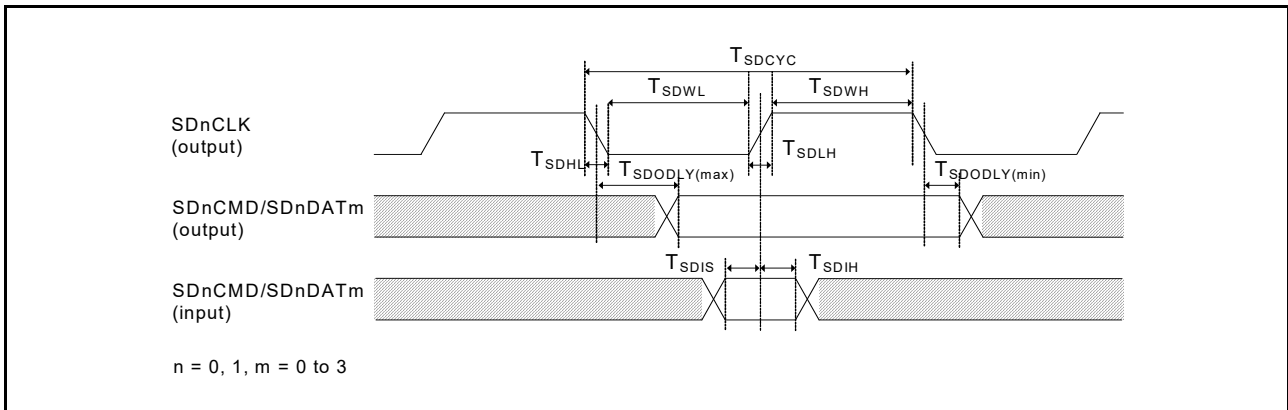


Figure 2.59 SD/MMC Host Interface signal timing

## 2.4 USB Characteristics

### 2.4.1 USBFS Timing

Table 2.31 USBFS low-speed characteristics for host only (USB\_DP and USB\_DM pin characteristics)  
 Conditions:  $V_{CC} = AV_{CC0} = V_{CC\_USB} = V_{BATT} = 3.0 \text{ to } 3.6\text{V}$ ,  $2.7 \leq V_{REFH0}/V_{REFH} \leq AV_{CC0}$ ,  $U_{CLK} = 48 \text{ MHz}$

Parameter	Symbol	Min	Typ	Max	Unit	Test conditions	
Input characteristics	Input high voltage	$V_{IH}$	2.0	-	-	V	-
	Input low voltage	$V_{IL}$	-	-	0.8	V	-
	Differential input sensitivity	$V_{DI}$	0.2	-	-	V	$  \text{USB\_DP} - \text{USB\_DM}  $
	Differential common-mode range	$V_{CM}$	0.8	-	2.5	V	-
Output characteristics	Output high voltage	$V_{OH}$	2.8	-	3.6	V	$I_{OH} = -200 \mu\text{A}$
	Output low voltage	$V_{OL}$	0.0	-	0.3	V	$I_{OL} = 2 \text{ mA}$
	Cross-over voltage	$V_{CRS}$	1.3	-	2.0	V	Figure 2.60
	Rise time	$t_{LR}$	75	-	300	ns	
	Fall time	$t_{LF}$	75	-	300	ns	
	Rise/fall time ratio	$t_{LR} / t_{LF}$	80	-	125	%	$t_{LR} / t_{LF}$
Pull-up and pull-down characteristics	USB_DP and USB_DM pull-down resistance in host controller mode	$R_{pd}$	14.25	-	24.80	k $\Omega$	-

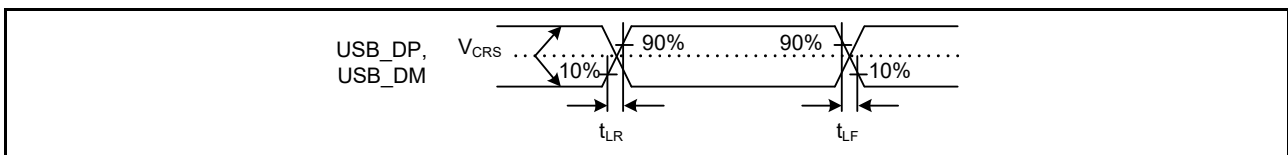


Figure 2.60 USB\_DP and USB\_DM output timing in low-speed mode

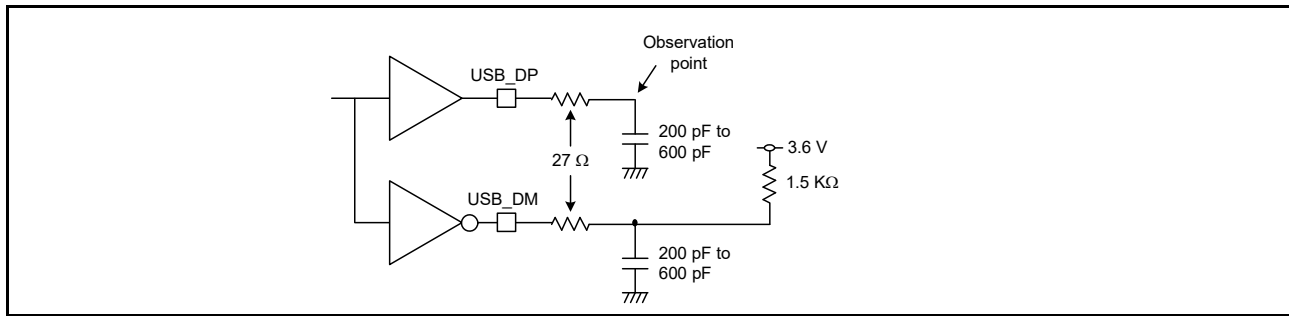


Figure 2.61 Test circuit in low-speed mode

Table 2.32 USBFS full-speed characteristics (USB\_DP and USB\_DM pin characteristics)

Conditions:  $V_{CC} = AV_{CC0} = V_{CC\_USB} = V_{BATT} = 3.0$  to  $3.6$  V,  $2.7 \leq V_{REFH0}/V_{REFH} \leq AV_{CC0}$ ,  $U_{CLK} = 48$  MHz

Parameter	Symbol	Min	Typ	Max	Unit	Test conditions	
Input characteristics	Input high voltage	$V_{IH}$	2.0	-	-	V	-
	Input low voltage	$V_{IL}$	-	-	0.8	V	-
	Differential input sensitivity	$V_{DI}$	0.2	-	-	V	$ USB\_DP - USB\_DM $
	Differential common-mode range	$V_{CM}$	0.8	-	2.5	V	-
Output characteristics	Output high voltage	$V_{OH}$	2.8	-	3.6	V	$I_{OH} = -200 \mu A$
	Output low voltage	$V_{OL}$	0.0	-	0.3	V	$I_{OL} = 2$ mA
	Cross-over voltage	$V_{CRS}$	1.3	-	2.0	V	Figure 2.62
	Rise time	$t_{LR}$	4	-	20	ns	Figure 2.62
	Fall time	$t_{LF}$	4	-	20	ns	
	Rise/fall time ratio	$t_{LR} / t_{LF}$	90	-	111.11	%	$t_{FR} / t_{FF}$
	Output resistance	$Z_{DRV}$	28	-	44	$\Omega$	USBFS: $R_s = 27 \Omega$ included
Pull-up and pull-down characteristics	DM pull-up resistance in device controller mode	$R_{pu}$	0.900	-	1.575	k $\Omega$	During idle state
			1.425	-	3.090	k $\Omega$	During transmission and reception
	USB_DP and USB_DM pull-down resistance in host controller mode	$R_{pd}$	14.25	-	24.80	k $\Omega$	-

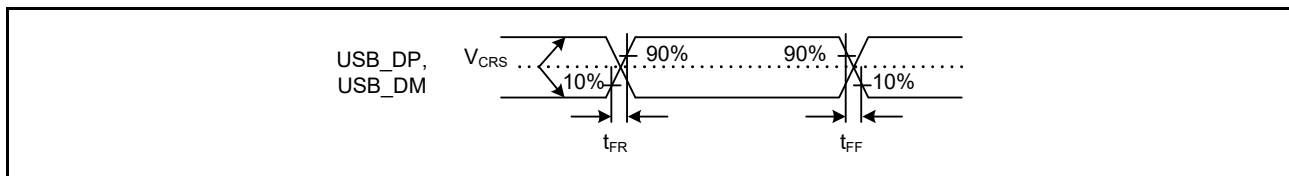


Figure 2.62 USB\_DP and USB\_DM output timing in full-speed mode

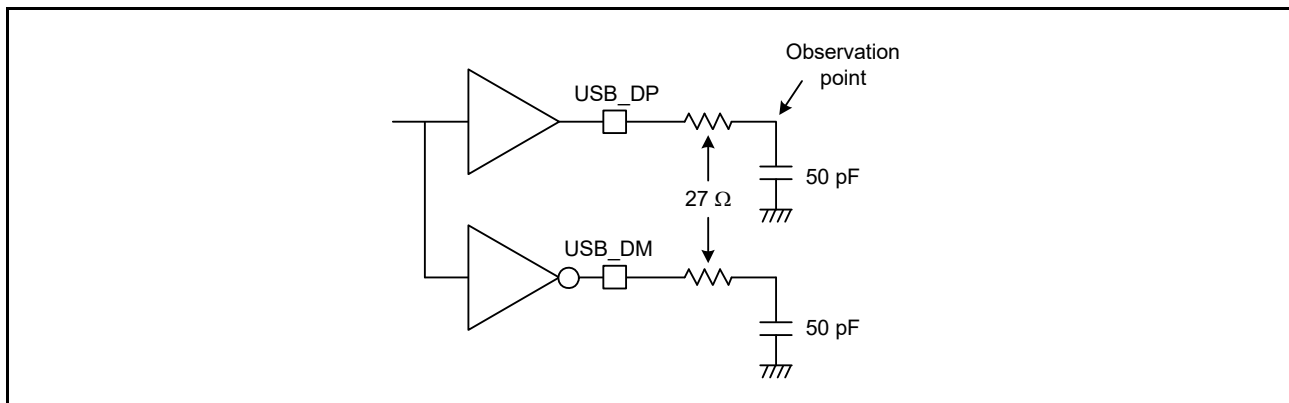


Figure 2.63 Test circuit in full-speed mode

## 2.5 ADC12 Characteristics

**Table 2.33 A/D conversion characteristics for unit 0 (1 of 2)**

Conditions: PCLKC = 1 to 60 MHz

Parameter	Min	Typ	Max	Unit	Test conditions		
Frequency	1	-	60	MHz	-		
Analog input capacitance	-	-	30	pF	-		
Quantization error	-	±0.5	-	LSB	-		
Resolution	-	-	12	Bits	-		
Channel-dedicated sample-and-hold circuits in use*3 (AN000 to AN002)	Conversion time*1 (operation at PCLKC = 60 MHz)	Permissible signal source impedance Max. = 1 kΩ	1.06 (0.4 + 0.25)*2	-	-	μs	<ul style="list-style-type: none"> <li>• Sampling of channel-dedicated sample-and-hold circuits in 24 states</li> <li>• Sampling in 15 states</li> </ul>
	Offset error	-	±1.5	±3.5	LSB	AN000 to AN002 = 0.25 V	
	Full-scale error	-	±1.5	±3.5	LSB	AN000 to AN002 = VREFH0 - 0.25 V	
	Absolute accuracy	-	±2.5	±5.5	LSB	-	
	DNL differential nonlinearity error	-	±1.0	±2.0	LSB	-	
	INL integral nonlinearity error	-	±1.5	±3.0	LSB	-	
	Holding characteristics of sample-and hold circuits	-	-	20	μs	-	
	Dynamic range	0.25	-	VREFH0 - 0.25	V	-	
Channel-dedicated sample-and-hold circuits not in use (AN000 to AN002)	Conversion time*1 (operation at PCLKC = 60 MHz)	Permissible signal source impedance Max. = 1 kΩ	0.48 (0.267)*2	-	-	μs	Sampling in 16 states
	Offset error	-	±1.0	±2.5	LSB	-	
	Full-scale error	-	±1.0	±2.5	LSB	-	
	Absolute accuracy	-	±2.0	±4.5	LSB	-	
	DNL differential nonlinearity error	-	±0.5	±1.5	LSB	-	
	INL integral nonlinearity error	-	±1.0	±2.5	LSB	-	
High-precision channels (AN003, AN005, AN006)	Conversion time*1 (operation at PCLKC = 60 MHz)	Permissible signal source impedance Max. = 1 kΩ	0.48 (0.267)*2	-	-	μs	Sampling in 16 states
		Max. = 400 Ω	0.40 (0.183)*2	-	-	μs	Sampling in 11 states VCC = AVCC0 = 3.0 to 3.6 V 3.0 V ≤ VREFH0 ≤ AVCC0
	Offset error	-	±1.0	±2.5	LSB	-	
	Full-scale error	-	±1.0	±2.5	LSB	-	
	Absolute accuracy	-	±2.0	±4.5	LSB	-	
	DNL differential nonlinearity error	-	±0.5	±1.5	LSB	-	

**Table 2.33 A/D conversion characteristics for unit 0 (2 of 2)**

Conditions: PCLKC = 1 to 60 MHz

Parameter			Min	Typ	Max	Unit	Test conditions
	INL integral nonlinearity error		-	±1.0	±2.5	LSB	-
High-precision channels (AN007)	Conversion time*1 (operation at PCLKC = 60 MHz)	Permissible signal source impedance Max. = 1 kΩ	0.75 (0.533)*2	-	-	μs	Sampling in 32 states
	Offset error		-	±1.0	±2.5	LSB	-
	Full-scale error		-	±1.0	±2.5	LSB	-
	Absolute accuracy		-	±2.0	±4.5	LSB	-
	DNL differential nonlinearity error		-	±0.5	±1.5	LSB	-
	INL integral nonlinearity error		-	±1.0	±2.5	LSB	-
Normal-precision channels (AN016 to AN018, AN020)	Conversion time*1 (Operation at PCLKC = 60 MHz)	Permissible signal source impedance Max. = 1 kΩ	0.88 (0.667)*2	-	-	μs	Sampling in 40 states
	Offset error		-	±1.0	±5.5	LSB	-
	Full-scale error		-	±1.0	±5.5	LSB	-
	Absolute accuracy		-	±2.0	±7.5	LSB	-
	DNL differential nonlinearity error		-	±0.5	±4.5	LSB	-
	INL integral nonlinearity error		-	±1.0	±5.5	LSB	-

Note: These specification values apply when there is no access to the external bus during A/D conversion. If access occurs during A/D conversion, the values might not fall within the indicated ranges.

The use of ports 0 as digital outputs is not allowed when the 12-bit A/D converter is used.

The characteristics apply when AVCC0, AVSS0, VREFH0/VREFH, VREFL0, VREFL, and 12-bit A/D converter input voltage are stable.

Note 1. The conversion time includes the sampling and comparison times. The number of sampling states is indicated for the test conditions.

Note 2. Values in parentheses indicate the sampling time.

Note 3. When simultaneously using channel-dedicated sample-and-hold circuits in unit 0 and unit 1, see [Table 2.35](#).

**Table 2.34 A/D conversion characteristics for unit 1 (1 of 2)**

Conditions: PCLKC = 1 to 60 MHz

Parameter			Min	Typ	Max	Unit	Test conditions
Frequency			1	-	60	MHz	-
Analog input capacitance			-	-	30	pF	-
Quantization error			-	±0.5	-	LSB	-
Resolution			-	-	12	Bits	-
Channel-dedicated sample-and-hold circuits in use*3 (AN100 to AN102)	Conversion time*1 (operation at PCLKC = 60 MHz)	Permissible signal source impedance Max. = 1 kΩ	1.06 (0.4 + 0.25)*2	-	-	μs	<ul style="list-style-type: none"> <li>• Sampling of channel-dedicated sample-and-hold circuits in 24 states</li> <li>• Sampling in 15 states</li> </ul>
	Offset error		-	±1.5	±3.5	LSB	AN100 to AN102 = 0.25 V
	Full-scale error		-	±1.5	±3.5	LSB	AN100 to AN102 = VREFH - 0.25 V
	Absolute accuracy		-	±2.5	±5.5	LSB	-
	DNL differential nonlinearity error		-	±1.0	±2.0	LSB	-
	INL integral nonlinearity error		-	±1.5	±3.0	LSB	-
	Holding characteristics of sample-and-hold circuits		-	-	20	μs	-
	Dynamic range		0.25	-	VREFH - 0.25	V	-

**Table 2.34 A/D conversion characteristics for unit 1 (2 of 2)**

Conditions: PCLKC = 1 to 60 MHz

Parameter			Min	Typ	Max	Unit	Test conditions
Channel-dedicated sample-and-hold circuits not in use (AN100 to AN102)	Conversion time*1 (Operation at PCLKC = 60 MHz)	Permissible signal source impedance Max. = 1 kΩ	0.48 (0.267)*2	-	-	μs	Sampling in 16 states
	Offset error		-	±1.0	±2.5	LSB	-
	Full-scale error		-	±1.0	±2.5	LSB	-
	Absolute accuracy		-	±2.0	±4.5	LSB	-
	DNL differential nonlinearity error		-	±0.5	±1.5	LSB	-
	INL integral nonlinearity error		-	±1.0	±2.5	LSB	-
High-precision channels (AN105, AN106)	Conversion time*1 (Operation at PCLKC = 60 MHz)	Permissible signal source impedance Max. = 1 kΩ	0.48 (0.267)*2	-	-	μs	Sampling in 16 states
		Max. = 400 Ω	0.40 (0.183)*2	-	-	μs	Sampling in 11 states VCC = AVCC0 = 3.0 to 3.6 V 3.0 V ≤ VREFH ≤ AVCC0
	Offset error		-	±1.0	±2.5	LSB	-
	Full-scale error		-	±1.0	±2.5	LSB	-
	Absolute accuracy		-	±2.0	±4.5	LSB	-
	DNL differential nonlinearity error		-	±0.5	±1.5	LSB	-
	INL integral nonlinearity error		-	±1.0	±2.5	LSB	-
High-precision channels (AN107)	Conversion time*1 (Operation at PCLKC = 60 MHz)	Permissible signal source impedance Max. = 1 kΩ	0.75 (0.533)*2	-	-	μs	Sampling in 32 states
	Offset error		-	±1.0	±2.5	LSB	-
	Full-scale error		-	±1.0	±2.5	LSB	-
	Absolute accuracy		-	±2.0	±4.5	LSB	-
	DNL differential nonlinearity error		-	±0.5	±1.5	LSB	-
	INL integral nonlinearity error		-	±1.0	±2.5	LSB	-
Normal-precision channels (AN116, AN117)	Conversion time*1 (Operation at PCLKC = 60 MHz)	Permissible signal source impedance Max. = 1 kΩ	0.88 (0.667)*2	-	-	μs	Sampling in 40 states
	Offset error		-	±1.0	±5.5	LSB	-
	Full-scale error		-	±1.0	±5.5	LSB	-
	Absolute accuracy		-	±2.0	±7.5	LSB	-
	DNL differential nonlinearity error		-	±0.5	±4.5	LSB	-
	INL integral nonlinearity error		-	±1.0	±5.5	LSB	-

Note: These specification values apply when there is no access to the external bus during A/D conversion. If access occurs during A/D conversion, the values might not fall within the indicated ranges.

The use of ports 0 as digital outputs is not allowed when the 12-bit A/D converter is used.

The characteristics apply when AVCC0, AVSS0, VREFH0/VREFH, VREFL0, VREFL, and 12-bit A/D converter input voltage are stable.

Note 1. The conversion time includes the sampling and comparison times. The number of sampling states is indicated for the test conditions.

Note 2. Values in parentheses indicate the sampling time.

Note 3. When simultaneously using channel-dedicated sample-and-hold circuits in unit 0 and unit 1, see [Table 2.35](#).

**Table 2.35 A/D conversion characteristics for simultaneous use of channel-dedicated sample-and-hold circuits in unit 0 and unit 1**

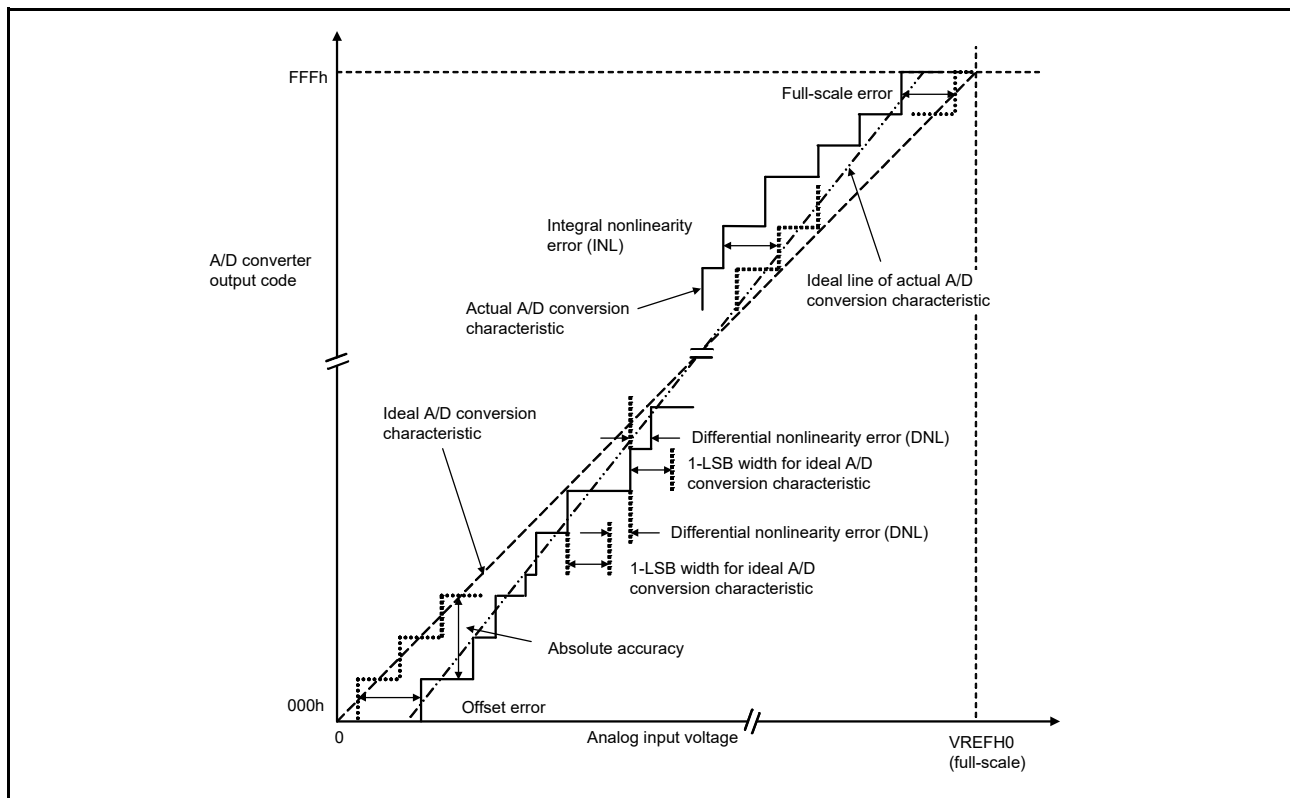
Conditions: PCLKC = 30/60 MHz

Parameter		Min	Typ	Max	Test conditions
Channel-dedicated sample-and-hold circuits in use with continuous sampling function enabled (AN000 to AN002)	Offset error	-	±1.5	±5.0	<ul style="list-style-type: none"> <li>• PCLKC = 60 MHz</li> <li>• Sampling in 15 states</li> </ul>
	Full-scale error	-	±2.5	±5.0	
	Absolute accuracy	-	±4.0	±8.0	
Channel-dedicated sample-and-hold circuits in use with continuous sampling function enabled (AN100 to AN102)	Offset error	-	±1.5	±5.0	
	Full-scale error	-	±2.5	±5.0	
	Absolute accuracy	-	±4.0	±8.0	
Channel-dedicated sample-and-hold circuits in use with continuous sampling function enabled (AN000 to AN002)	Offset error	-	±1.5	±3.5	<ul style="list-style-type: none"> <li>• PCLKC = 30 MHz</li> <li>• Sampling in 7 states</li> </ul>
	Full-scale error	-	±1.5	±3.5	
	Absolute accuracy	-	±3.0	+4.5/-6.5	
Channel-dedicated sample-and-hold circuits in use with continuous sampling function enabled (AN100 to AN102)	Offset error	-	±1.5	±3.5	
	Full-scale error	-	±1.5	±3.5	
	Absolute accuracy	-	±3.0	+4.5/-6.5	

Note: When simultaneously using channel-dedicated sample-and-hold circuits in unit 0 and unit 1, setting the ADSHMSR.SHMD bit to 1 is recommended.

**Table 2.36 A/D internal reference voltage characteristics**

Parameter	Min	Typ	Max	Unit	Test conditions
A/D internal reference voltage	1.13	1.18	1.23	V	-
Sampling time	4.15	-	-	µs	-



**Figure 2.64 Illustration of ADC12 characteristic terms**

### Absolute accuracy

Absolute accuracy is the difference between output code based on the theoretical A/D conversion characteristics, and the actual A/D conversion result. When measuring absolute accuracy, the voltage at the midpoint of the width of the analog input voltage (1-LSB width), which can meet the expectation of outputting an equal code based on the theoretical A/D conversion characteristics, is used as the analog input voltage. For example, if 12-bit resolution is used and the reference voltage VREFH0 is 3.072 V, then the 1-LSB width becomes 0.75 mV, and 0 mV, 0.75 mV, and 1.5 mV are used as the analog input voltages. If the analog input voltage is 6 mV, an absolute accuracy of  $\pm 5$  LSB means that the actual A/D conversion result is in the range of 003h to 00Dh, though an output code of 008h can be expected from the theoretical A/D conversion characteristics.

### Integral nonlinearity error (INL)

Integral nonlinearity error is the maximum deviation between the ideal line when the measured offset and full-scale errors are zeroed, and the actual output code.

### Differential nonlinearity error (DNL)

Differential nonlinearity error is the difference between the 1-LSB width based on the ideal A/D conversion characteristics and the width of the actual output code.

### Offset error

Offset error is the difference between the transition point of the ideal first output code and the actual first output code.

### Full-scale error

Full-scale error is the difference between the transition point of the ideal last output code and the actual last output code.

## 2.6 DAC12 Characteristics

**Table 2.37 D/A conversion characteristics**

Parameter	Min	Typ	Max	Unit	Test conditions
Resolution	-	-	12	Bits	-
Without output amplifier					
Absolute accuracy	-	-	$\pm 24$	LSB	Resistive load 2 M $\Omega$
INL	-	$\pm 2.0$	$\pm 8.0$	LSB	Resistive load 2 M $\Omega$
DNL	-	$\pm 1.0$	$\pm 2.0$	LSB	-
Output impedance	-	8.5	-	k $\Omega$	-
Conversion time	-	-	3.0	$\mu$ s	Resistive load 2 M $\Omega$ , Capacitive load 20 pF
Output voltage range	0	-	VREFH	V	-
With output amplifier					
INL	-	$\pm 2.0$	$\pm 4.0$	LSB	-
DNL	-	$\pm 1.0$	$\pm 2.0$	LSB	-
Conversion time	-	-	4.0	$\mu$ s	-
Resistive load	5	-	-	k $\Omega$	-
Capacitive load	-	-	50	pF	-
Output voltage range	0.2	-	VREFH - 0.2	V	-

## 2.7 TSN Characteristics

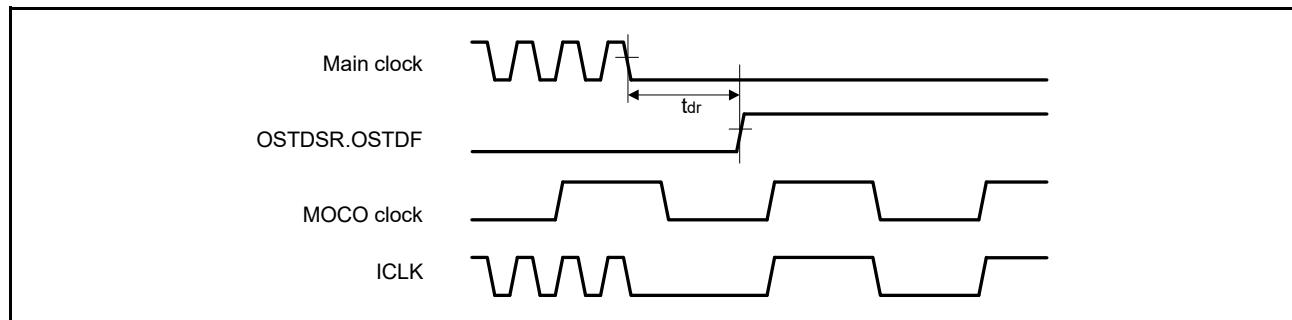
**Table 2.38 TSN characteristics**

Parameter	Symbol	Min	Typ	Max	Unit	Test conditions
Relative accuracy	-	-	±1.0	-	°C	-
Temperature slope	-	-	4.0	-	mV/°C	-
Output voltage (at 25°C)	-	-	1.24	-	V	-
Temperature sensor start time	$t_{START}$	-	-	30	μs	-
Sampling time	-	4.15	-	-	μs	-

## 2.8 OSC Stop Detect Characteristics

**Table 2.39 Oscillation stop detection circuit characteristics**

Parameter	Symbol	Min	Typ	Max	Unit	Test conditions
Detection time	$t_{dr}$	-	-	1	ms	Figure 2.65


**Figure 2.65 Oscillation stop detection timing**

## 2.9 POR and LVD Characteristics

**Table 2.40 Power-on reset circuit and voltage detection circuit characteristics (1 of 2)**

Parameter			Symbol	Min	Typ	Max	Unit	Test conditions
Voltage detection level	Power-on reset (POR)	Module-stop function disabled*2	$V_{POR}$	2.5	2.6	2.7	V	Figure 2.66
		Module-stop function enabled*3		1.8	2.25	2.7		
	Voltage detection circuit (LVD0)		$V_{det0\_1}$	2.84	2.94	3.04		Figure 2.67
			$V_{det0\_2}$	2.77	2.87	2.97		
			$V_{det0\_3}$	2.70	2.80	2.90		
	Voltage detection circuit (LVD1)		$V_{det1\_1}$	2.89	2.99	3.09		Figure 2.68
			$V_{det1\_2}$	2.82	2.92	3.02		
			$V_{det1\_3}$	2.75	2.85	2.95		
	Voltage detection circuit (LVD2)		$V_{det2\_1}$	2.89	2.99	3.09		Figure 2.69
			$V_{det2\_2}$	2.82	2.92	3.02		
			$V_{det2\_3}$	2.75	2.85	2.95		
	Internal reset time	Power-on reset time		$t_{POR}$	-	4.5	-	ms
LVD0 reset time		$t_{LVD0}$	-	0.51	-	Figure 2.67		
LVD1 reset time		$t_{LVD1}$	-	0.38	-	Figure 2.68		
LVD2 reset time		$t_{LVD2}$	-	0.38	-	Figure 2.69		



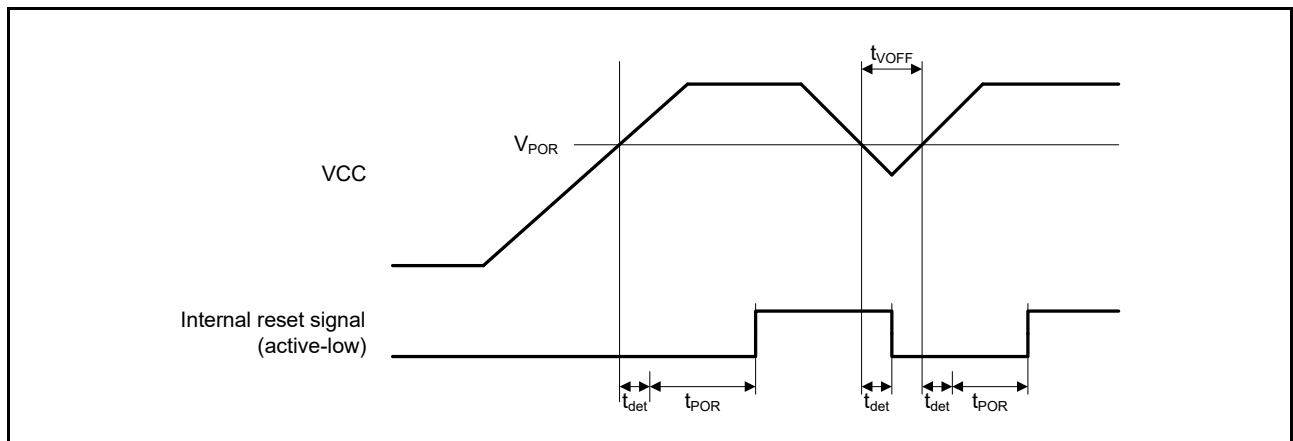
**Table 2.40 Power-on reset circuit and voltage detection circuit characteristics (2 of 2)**

Parameter	Symbol	Min	Typ	Max	Unit	Test conditions
Minimum VCC down time*1	$t_{V\text{OFF}}$	200	-	-	$\mu\text{s}$	Figure 2.66, Figure 2.67
Response delay	$t_{\text{det}}$	-	-	200	$\mu\text{s}$	Figure 2.66 to Figure 2.69
LVD operation stabilization time (after LVD is enabled)	$t_{\text{d(E-A)}}$	-	-	10	$\mu\text{s}$	Figure 2.68, Figure 2.69
Hysteresis width (LVD1 and LVD2)	$V_{\text{LVH}}$	-	70	-	mV	

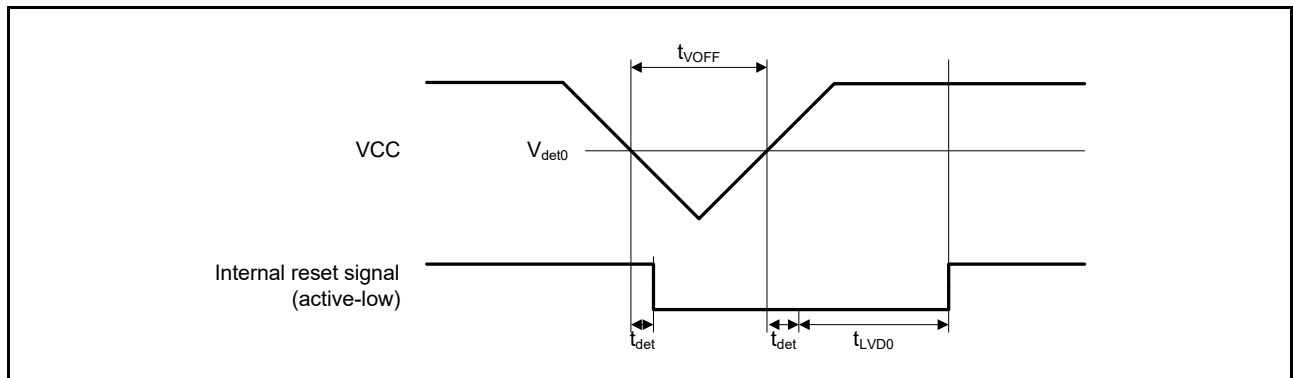
Note 1. The minimum VCC down time indicates the time when VCC is below the minimum value of voltage detection levels  $V_{\text{POR}}$ ,  $V_{\text{det1}}$ , and  $V_{\text{det2}}$  for POR and LVD.

Note 2. The low power function is disabled and DEEPCUT[1:0] = 00b or 01b.

Note 3. The low power function is enabled and DEEPCUT[1:0] = 11b.



**Figure 2.66 Power-on reset timing**



**Figure 2.67 Voltage detection circuit timing ( $V_{\text{det0}}$ )**

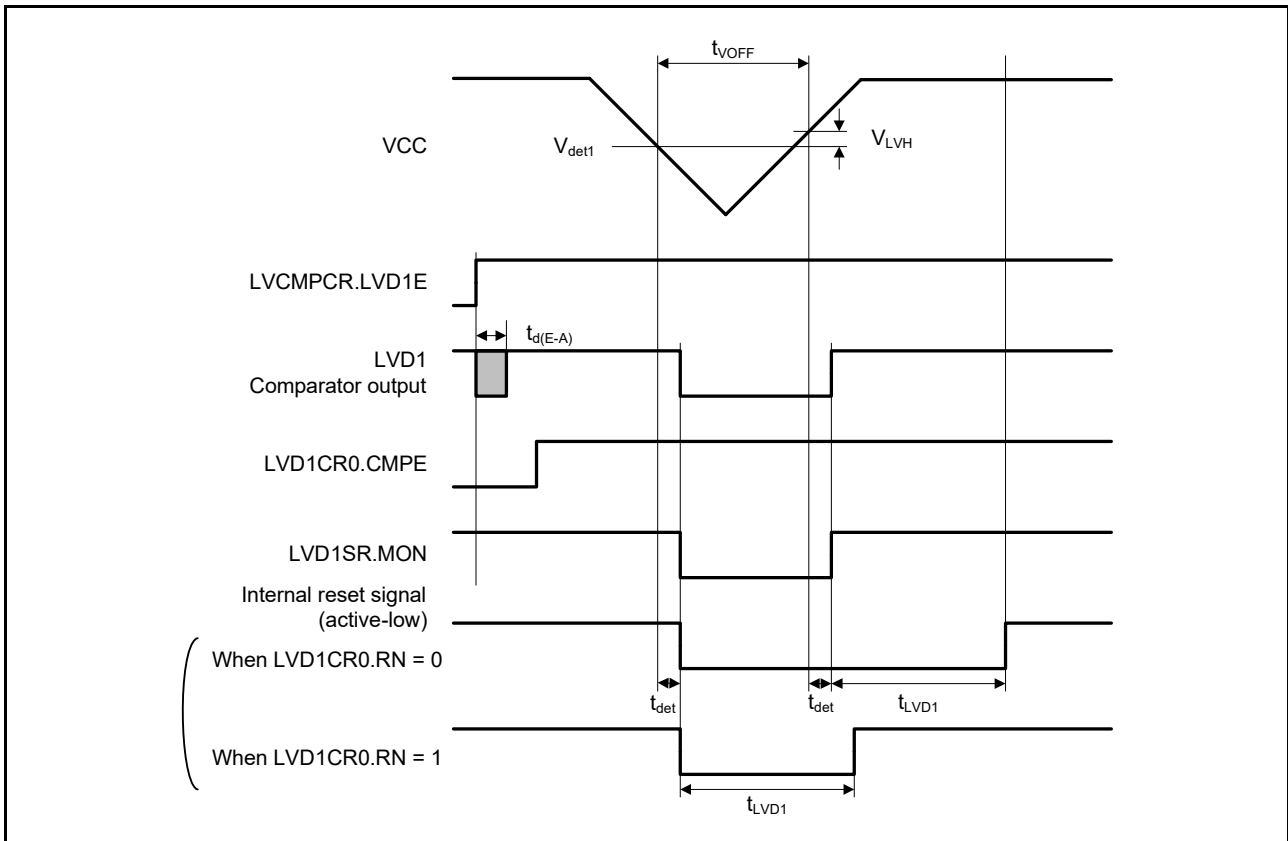


Figure 2.68 Voltage detection circuit timing ( $V_{det1}$ )

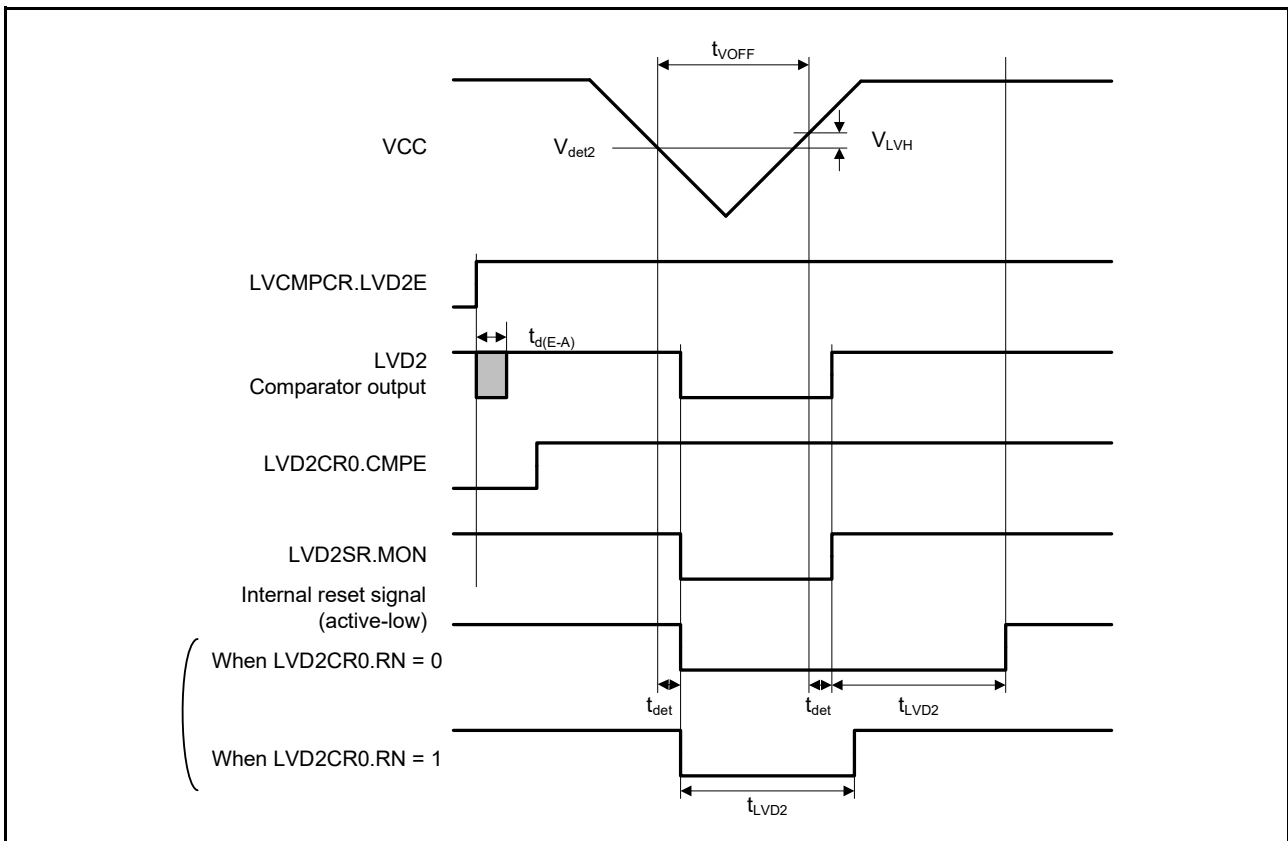


Figure 2.69 Voltage detection circuit timing ( $V_{det2}$ )

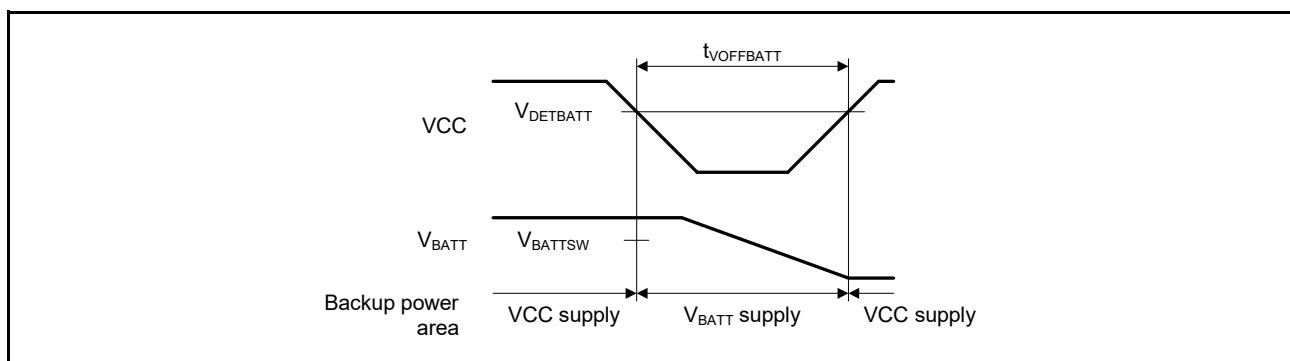
## 2.10 VBATT Characteristics

**Table 2.41 Battery backup function characteristics**

Conditions:  $V_{CC} = AVCC0 = V_{CC\_USB} = 2.7$  to  $3.6$  V,  $2.7 \leq V_{REFH0}/V_{REFH} \leq AVCC0$ ,  $V_{BATT} = 1.8$  to  $3.6$  V

Parameter	Symbol	Min	Typ	Max	Unit	Test conditions
Voltage level for switching to battery backup	$V_{DET\_BATT}$	2.50	2.60	2.70	V	Figure 2.70
Lower-limit VBATT voltage for power supply switching caused by VCC voltage drop	$V_{BATT\_SW}$	2.70	-	-	V	
VCC-off period for starting power supply switching	$t_{V_{OFF}BATT}$	200	-	-	$\mu$ s	

Note: The VCC-off period for starting power supply switching indicates the period in which VCC is below the minimum value of the voltage level for switching to battery backup ( $V_{DET\_BATT}$ ).



**Figure 2.70 Battery backup function characteristics**

## 2.11 CTSU Characteristics

**Table 2.42 CTSU characteristics**

Parameter	Symbol	Min	Typ	Max	Unit	Test conditions
External capacitance connected to TSCAP pin	$C_{TSCAP}$	9	10	11	nF	-
TS pin capacitive load	$C_{base}$	-	-	50	pF	-
Permissible output high current	$\Sigma I_{OH}$	-	-	-40	mA	When the mutual capacitance method is applied

## 2.12 ACPHPS Characteristics

**Table 2.43 ACPHPS characteristics**

Parameter	Symbol	Min	Typ	Max	Unit	Test conditions
Reference voltage range	VREF	0	-	AVCC0	V	-
Input voltage range	$V_I$	0	-	AVCC0	V	-
Output delay*1	$T_d$	-	50	100	ns	$V_I = V_{REF} \pm 100$ mV
Internal reference voltage	Vref	1.13	1.18	1.23	V	-

Note 1. This value is the internal propagation delay.

## 2.13 PGA Characteristics

Table 2.44 PGA characteristics in single mode

Parameter	Symbol	Min	Typ	Max	Unit
PGAVSS input voltage range	PGAVSS	0	-	0	V
	AIN0 (G = 2.000)	$0.050 \times AVCC0$	-	$0.45 \times AVCC0$	V
	AIN1 (G = 2.500)	$0.047 \times AVCC0$	-	$0.360 \times AVCC0$	V
	AIN2 (G = 2.667)	$0.046 \times AVCC0$	-	$0.337 \times AVCC0$	V
	AIN3 (G = 2.857)	$0.046 \times AVCC0$	-	$0.32 \times AVCC0$	V
	AIN4 (G = 3.077)	$0.045 \times AVCC0$	-	$0.292 \times AVCC0$	V
	AIN5 (G = 3.333)	$0.044 \times AVCC0$	-	$0.265 \times AVCC0$	V
	AIN6 (G = 3.636)	$0.042 \times AVCC0$	-	$0.247 \times AVCC0$	V
	AIN7 (G = 4.000)	$0.040 \times AVCC0$	-	$0.212 \times AVCC0$	V
	AIN8 (G = 4.444)	$0.036 \times AVCC0$	-	$0.191 \times AVCC0$	V
	AIN9 (G = 5.000)	$0.033 \times AVCC0$	-	$0.17 \times AVCC0$	V
	AIN10 (G = 5.714)	$0.031 \times AVCC0$	-	$0.148 \times AVCC0$	V
	AIN11 (G = 6.667)	$0.029 \times AVCC0$	-	$0.127 \times AVCC0$	V
	AIN12 (G = 8.000)	$0.027 \times AVCC0$	-	$0.09 \times AVCC0$	V
	AIN13 (G = 10.000)	$0.025 \times AVCC0$	-	$0.08 \times AVCC0$	V
AIN14 (G = 13.333)	$0.023 \times AVCC0$	-	$0.06 \times AVCC0$	V	
Gain error	Gerr0 (G = 2.000)	-1.0	-	1.0	%
	Gerr1 (G = 2.500)	-1.0	-	1.0	%
	Gerr2 (G = 2.667)	-1.0	-	1.0	%
	Gerr3 (G = 2.857)	-1.0	-	1.0	%
	Gerr4 (G = 3.077)	-1.0	-	1.0	%
	Gerr5 (G = 3.333)	-1.5	-	1.5	%
	Gerr6 (G = 3.636)	-1.5	-	1.5	%
	Gerr7 (G = 4.000)	-1.5	-	1.5	%
	Gerr8 (G = 4.444)	-2.0	-	2.0	%
	Gerr9 (G = 5.000)	-2.0	-	2.0	%
	Gerr10 (G = 5.714)	-2.0	-	2.0	%
	Gerr11 (G = 6.667)	-2.0	-	2.0	%
	Gerr12 (G = 8.000)	-2.0	-	2.0	%
	Gerr13 (G = 10.000)	-2.0	-	2.0	%
	Gerr14 (G = 13.333)	-2.0	-	2.0	%
Offset error	Voff	-8	-	8	mV

Table 2.45 PGA characteristics in differential mode (1 of 2)

Parameter	Symbol	Min	Typ	Max	Unit	
PGAVSS input voltage range	PGAVSS	-0.5	-	0.3	V	
Differential input voltage range	G = 1.500	AIN-PGAVSS	-0.5	-	0.5	V
	G = 2.333		-0.4	-	0.4	V
	G = 4.000		-0.2	-	0.2	V
	G = 5.667		-0.15	-	0.15	V

**Table 2.45 PGA characteristics in differential mode (2 of 2)**

Parameter		Symbol	Min	Typ	Max	Unit
Gain error	G = 1.500	Gerr	-1.0	-	1.0	%
	G = 2.333		-1.0	-	1.0	
	G = 4.000		-1.0	-	1.0	
	G = 5.667		-1.0	-	1.0	

## 2.14 Flash Memory Characteristics

### 2.14.1 Code Flash Memory Characteristics

**Table 2.46 Code flash memory characteristics**

Conditions: Program or erase: FCLK = 4 to 60 MHz

Read: FCLK ≤ 60 MHz

Parameter		Symbol	FCLK = 4 MHz			20 MHz ≤ FCLK ≤ 60 MHz			Unit	Test conditions
			Min	Typ	Max	Min	Typ	Max		
Programming time N <sub>PEC</sub> ≤ 100 times	128-byte	t <sub>P128</sub>	-	0.75	13.2	-	0.34	6.0	ms	
	8-KB	t <sub>P8K</sub>	-	49	176	-	22	80	ms	
	32-KB	t <sub>P32K</sub>	-	194	704	-	88	320	ms	
Programming time N <sub>PEC</sub> > 100 times	128-byte	t <sub>P128</sub>	-	0.91	15.8	-	0.41	7.2	ms	
	8-KB	t <sub>P8K</sub>	-	60	212	-	27	96	ms	
	32-KB	t <sub>P32K</sub>	-	234	848	-	106	384	ms	
Erasure time N <sub>PEC</sub> ≤ 100 times	8-KB	t <sub>E8K</sub>	-	78	216	-	43	120	ms	
	32-KB	t <sub>E32K</sub>	-	283	864	-	157	480	ms	
Erasure time N <sub>PEC</sub> > 100 times	8-KB	t <sub>E8K</sub>	-	94	260	-	52	144	ms	
	32-KB	t <sub>E32K</sub>	-	341	1040	-	189	576	ms	
Reprogramming/erase cycle*4		N <sub>PEC</sub>	10000*1	-	-	10000*1	-	-	Times	
Suspend delay during programming		t <sub>SPD</sub>	-	-	264	-	-	120	μs	
First suspend delay during erasure in suspend priority mode		t <sub>SESD1</sub>	-	-	216	-	-	120	μs	
Second suspend delay during erasure in suspend priority mode		t <sub>SESD2</sub>	-	-	1.7	-	-	1.7	ms	
Suspend delay during erasure in erasure priority mode		t <sub>SEED</sub>	-	-	1.7	-	-	1.7	ms	
Forced stop command		t <sub>FD</sub>	-	-	32	-	-	20	μs	
Data hold time*2		t <sub>DRP</sub>	10*2, *3	-	-	10*2, *3	-	-	Years	Ta = +85°C
			30*2, *3	-	-	30*2, *3	-	-		

Note 1. This is the minimum number of times to guarantee all the characteristics after reprogramming. The guaranteed range is from 1 to the minimum value.

Note 2. This indicates the minimum value of the characteristic when reprogramming is performed within the specified range.

Note 3. This result is obtained from reliability testing.

Note 4. The reprogram/erase cycle is the number of erasures for each block. When the reprogram/erase cycle is n times (n = 10000), erasing can be performed n times for each block. For example, when 128-byte programming is performed 64 times for different addresses in 8-KB blocks, and then the entire block is erased, the reprogram/erase cycle is counted as one. However, programming the same address several times as one erasure is not enabled. Overwriting is prohibited.

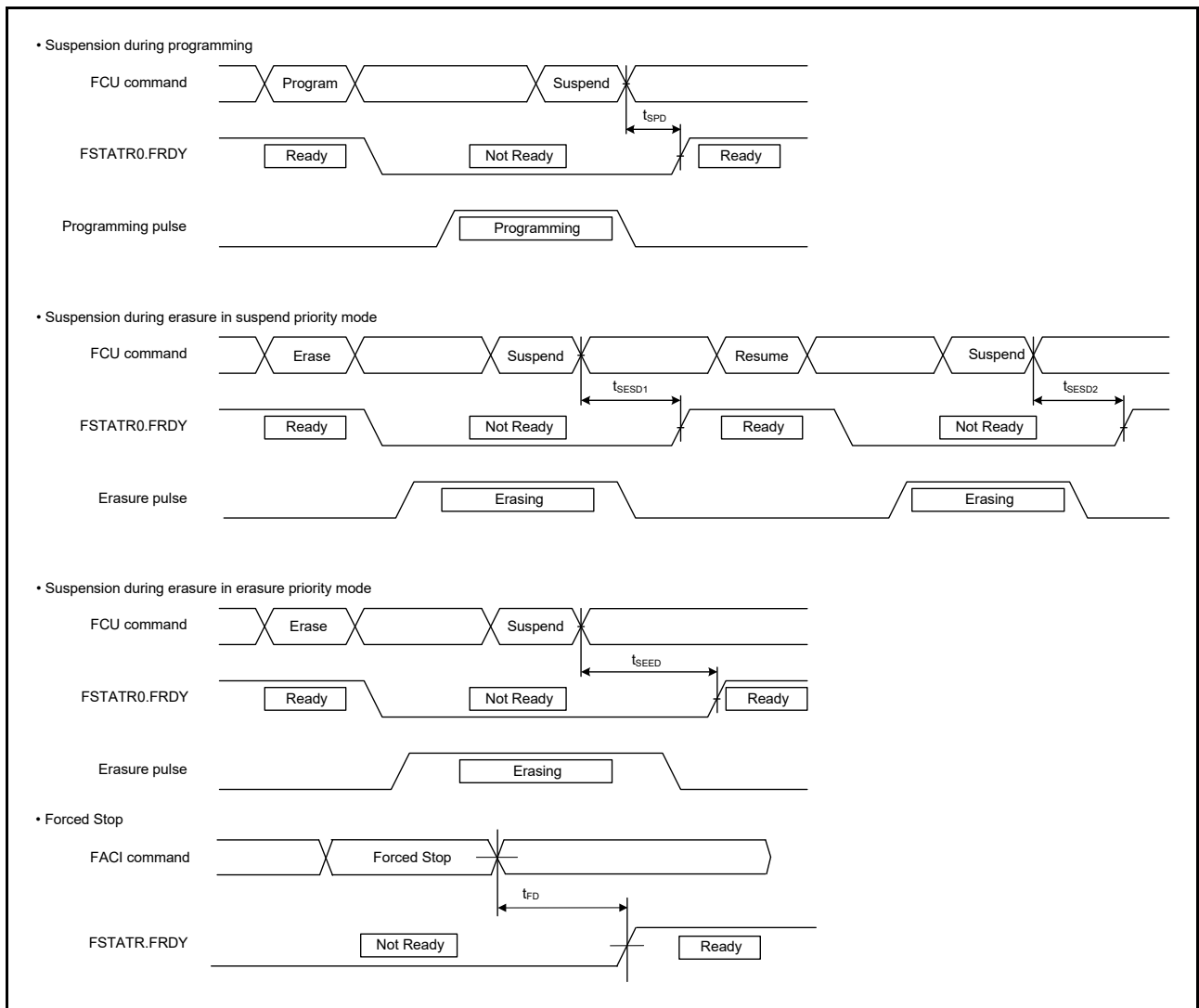


Figure 2.71 Suspension and forced stop timing for flash memory programming and erasure

## 2.14.2 Data Flash Memory Characteristics

**Table 2.47 Data flash memory characteristics**

Conditions: Program or erase: FCLK = 4 to 60 MHz

Read: FCLK ≤ 60 MHz

Parameter	Symbol	FCLK = 4 MHz			20 MHz ≤ FCLK ≤ 60 MHz			Unit	Test conditions
		Min	Typ	Max	Min	Typ	Max		
Programming time	4-byte	t <sub>DP4</sub>	-	0.36	3.8	-	0.16	1.7	ms
	8-byte	t <sub>DP8</sub>	-	0.38	4.0	-	0.17	1.8	
	16-byte	t <sub>DP16</sub>	-	0.42	4.5	-	0.19	2.0	
Erasure time	64-byte	t <sub>DE64</sub>	-	3.1	18	-	1.7	10	ms
	128-byte	t <sub>DE128</sub>	-	4.7	27	-	2.6	15	
	256-byte	t <sub>DE256</sub>	-	8.9	50	-	4.9	28	
Blank check time	4-byte	t <sub>DBC4</sub>	-	-	84	-	-	30	μs
Reprogramming/erasure cycle*1	N <sub>DPEC</sub>	125000*2	-	-	125000*2	-	-	-	-
Suspend delay during programming	4-byte	t <sub>DSPD</sub>	-	-	264	-	-	120	μs
	8-byte		-	-	264	-	-	120	
	16-byte		-	-	264	-	-	120	
First suspend delay during erasure in suspend priority mode	64-byte	t <sub>DSESD1</sub>	-	-	216	-	-	120	μs
	128-byte		-	-	216	-	-	120	
	256-byte		-	-	216	-	-	120	
Second suspend delay during erasure in suspend priority mode	64-byte	t <sub>DSESD2</sub>	-	-	300	-	-	300	μs
	128-byte		-	-	390	-	-	390	
	256-byte		-	-	570	-	-	570	
Suspend delay during erasing in erasure priority mode	64-byte	t <sub>DSEED</sub>	-	-	300	-	-	300	μs
	128-byte		-	-	390	-	-	390	
	256-byte		-	-	570	-	-	570	
Forced stop command	t <sub>FD</sub>	-	-	32	-	-	20	μs	
Data hold time*3	t <sub>DRP</sub>	10*3,*4	-	-	10*3,*4	-	-	Year	
		30*3,*4	-	-	30*3,*4	-	-		Ta = +85°C

Note 1. The reprogram/erase cycle is the number of erasures for each block. When the reprogram/erase cycle is n times (n = 125000), erasing can be performed n times for each block. For example, when 4-byte programming is performed 16 times for different addresses in 64-byte blocks, and then the entire block is erased, the reprogram/erase cycle is counted as one. However, programming the same address several times as one erasure is not enabled. Overwriting is prohibited.

Note 2. This is the minimum number of times to guarantee all the characteristics after reprogramming. The guaranteed range is from 1 to the minimum value.

Note 3. This indicates the minimum value of the characteristic when reprogramming is performed within the specified range.

Note 4. This result is obtained from reliability testing.

## 2.15 Boundary Scan

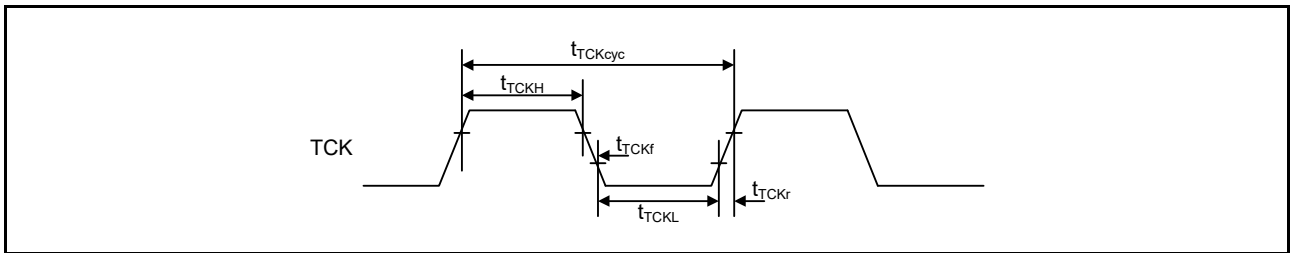
**Table 2.48 Boundary scan characteristics (1 of 2)**

Parameter	Symbol	Min	Typ	Max	Unit	Test conditions
TCK clock cycle time	t <sub>TCKcyc</sub>	100	-	-	ns	Figure 2.72
TCK clock high pulse width	t <sub>TCKH</sub>	45	-	-	ns	
TCK clock low pulse width	t <sub>TCKL</sub>	45	-	-	ns	
TCK clock rise time	t <sub>TCKr</sub>	-	-	5	ns	
TCK clock fall time	t <sub>TCKf</sub>	-	-	5	ns	

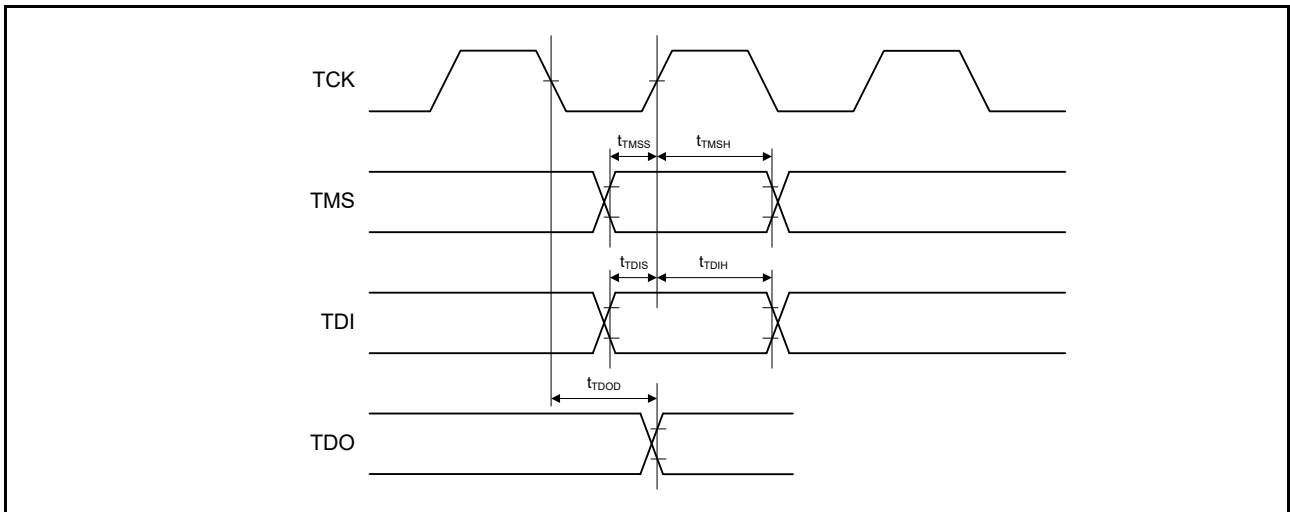
**Table 2.48 Boundary scan characteristics (2 of 2)**

Parameter	Symbol	Min	Typ	Max	Unit	Test conditions
TMS setup time	$t_{TMSS}$	20	-	-	ns	Figure 2.73
TMS hold time	$t_{TMSH}$	20	-	-	ns	
TDI setup time	$t_{TDIS}$	20	-	-	ns	
TDI hold time	$t_{TDIH}$	20	-	-	ns	
TDO data delay	$t_{TDOD}$	-	-	40	ns	
Boundary scan circuit startup time*1	$T_{BSSTUP}$	$t_{RESWP}$	-	-	-	Figure 2.74

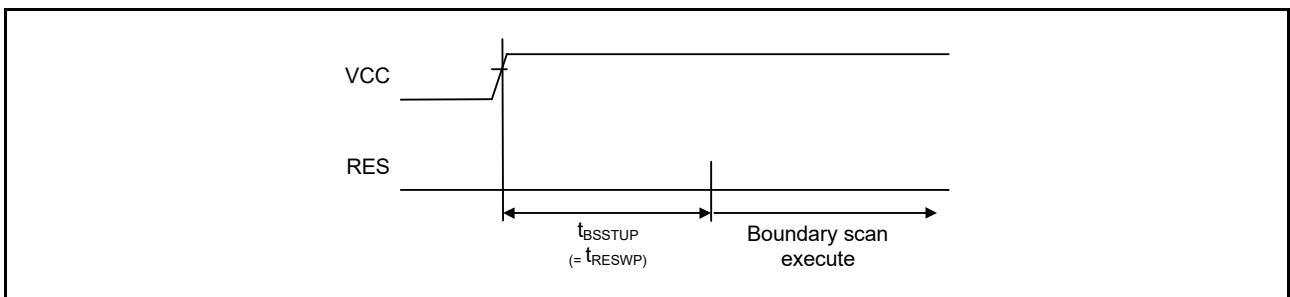
Note 1. Boundary scan does not function until the power-on reset becomes negative.



**Figure 2.72 Boundary scan TCK timing**



**Figure 2.73 Boundary scan input/output timing**



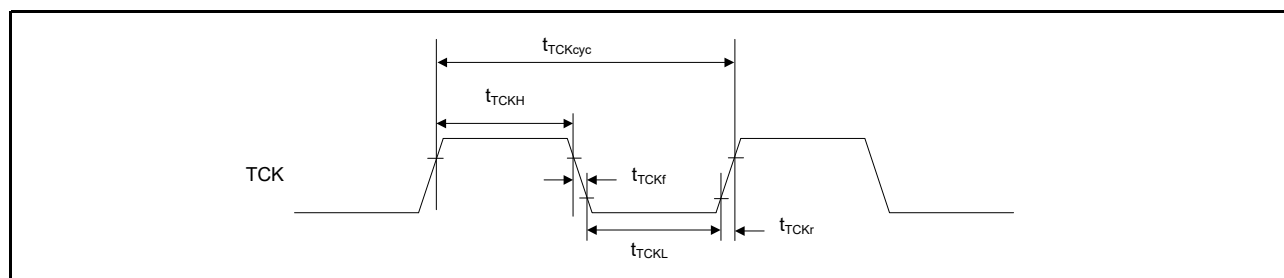
**Figure 2.74 Boundary scan circuit startup timing**



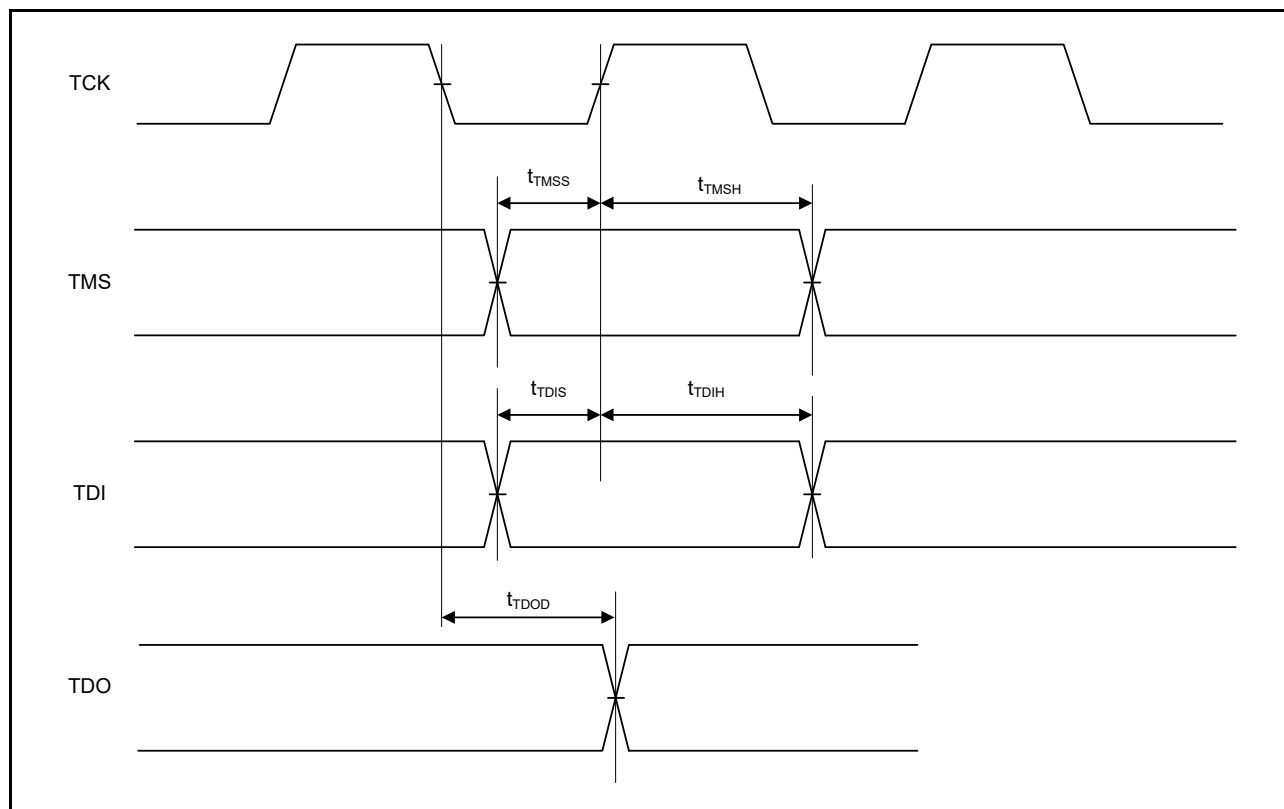
### 2.16 Joint Test Action Group (JTAG)

**Table 2.49 JTAG**

Parameter	Symbol	Min	Typ	Max	Unit	Test conditions
TCK clock cycle time	$t_{TCKcyc}$	40	-	-	ns	Figure 2.72
TCK clock high pulse width	$t_{TCKH}$	15	-	-	ns	
TCK clock low pulse width	$t_{TCKL}$	15	-	-	ns	
TCK clock rise time	$t_{TCKr}$	-	-	5	ns	
TCK clock fall time	$t_{TCKf}$	-	-	5	ns	
TMS setup time	$t_{TMSS}$	8	-	-	ns	Figure 2.73
TMS hold time	$t_{TMSH}$	8	-	-	ns	
TDI setup time	$t_{TDIS}$	8	-	-	ns	
TDI hold time	$t_{TDIH}$	8	-	-	ns	
TDO data delay time	$t_{TDOD}$	-	-	20	ns	



**Figure 2.75 JTAG TCK timing**



**Figure 2.76 JTAG input/output timing**

## 2.17 Serial Wire Debug (SWD)

Table 2.50 SWD

Parameter	Symbol	Min	Typ	Max	Unit	Test conditions
SWCLK clock cycle time	$t_{\text{SWCLKcyc}}$	40	-	-	ns	Figure 2.77
SWCLK clock high pulse width	$t_{\text{SWCKH}}$	15	-	-	ns	
SWCLK clock low pulse width	$t_{\text{SWCKL}}$	15	-	-	ns	
SWCLK clock rise time	$t_{\text{SWCKr}}$	-	-	5	ns	
SWCLK clock fall time	$t_{\text{SWCKf}}$	-	-	5	ns	
SWDIO setup time	$t_{\text{SWDS}}$	8	-	-	ns	Figure 2.78
SWDIO hold time	$t_{\text{SWDH}}$	8	-	-	ns	
SWDIO data delay time	$t_{\text{SWDD}}$	2	-	28	ns	

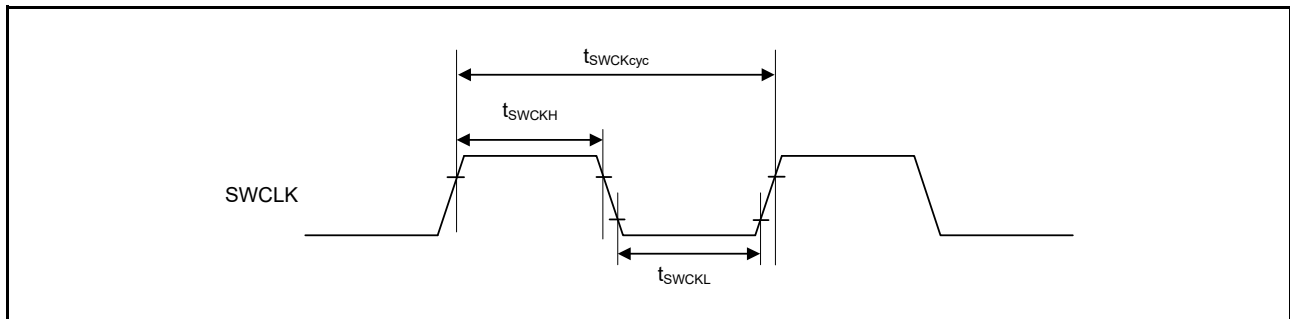


Figure 2.77 SWD SWCLK timing

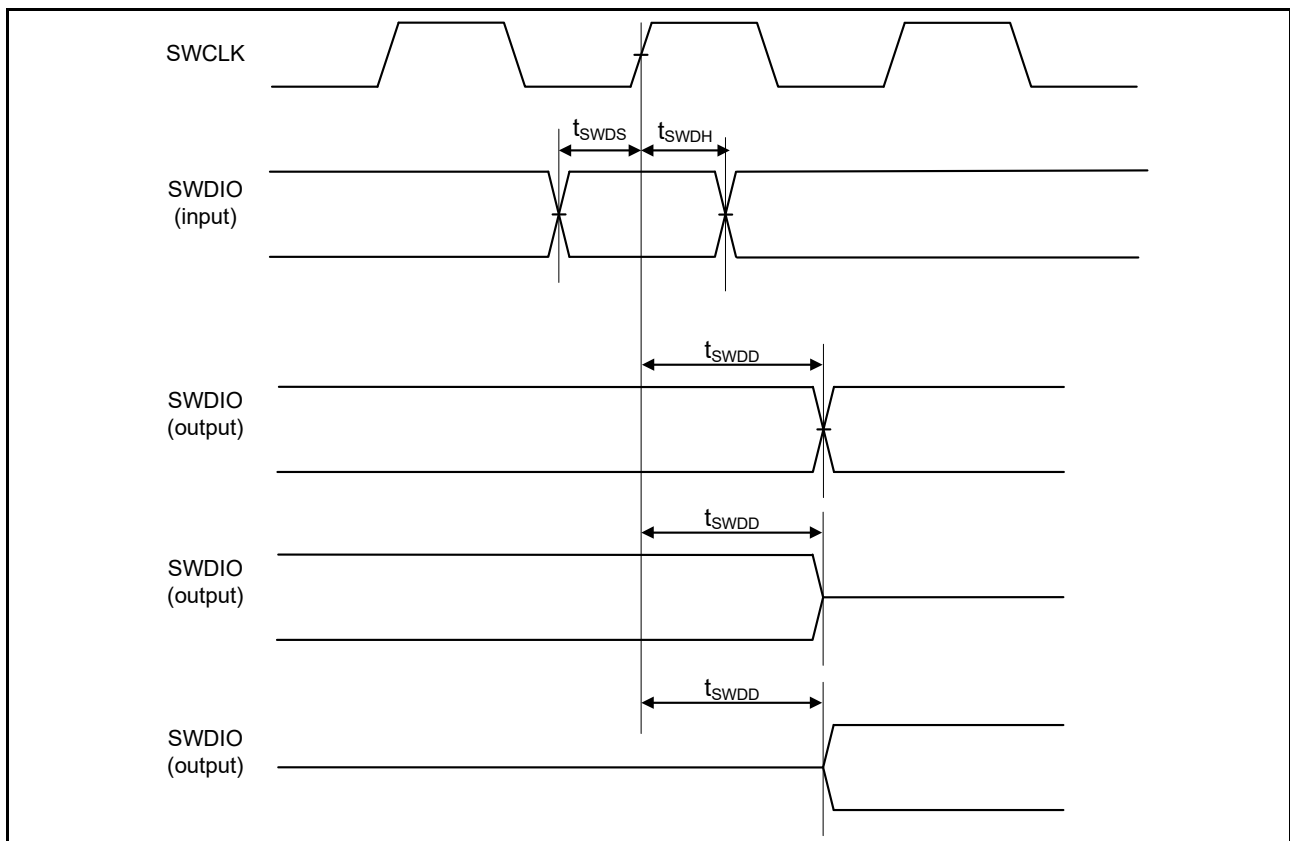


Figure 2.78 SWD input/output timing

### 2.18 Embedded Trace Macro Interface (ETM)

**Table 2.51 ETM**

Conditions: High drive output is selected in the Port Drive Capability bit in the PmnPFS register.

Parameter	Symbol	Min	Typ	Max	Unit	Test conditions
TCLK clock cycle time	$t_{TCLK_{cyc}}$	33.3	-	-	ns	Figure 2.79
TCLK clock high pulse width	$t_{TCLKH}$	13.6	-	-	ns	
TCLK clock low pulse width	$t_{TCLKL}$	13.6	-	-	ns	
TCLK clock rise time	$t_{TCLKr}$	-	-	3	ns	
TCLK clock fall time	$t_{TCLKf}$	-	-	3	ns	
TDATA[3:0] output setup time	$t_{TRDS}$	3.5	-	-	ns	Figure 2.80
TDATA[3:0] output hold time	$t_{TRDH}$	2.5	-	-	ns	

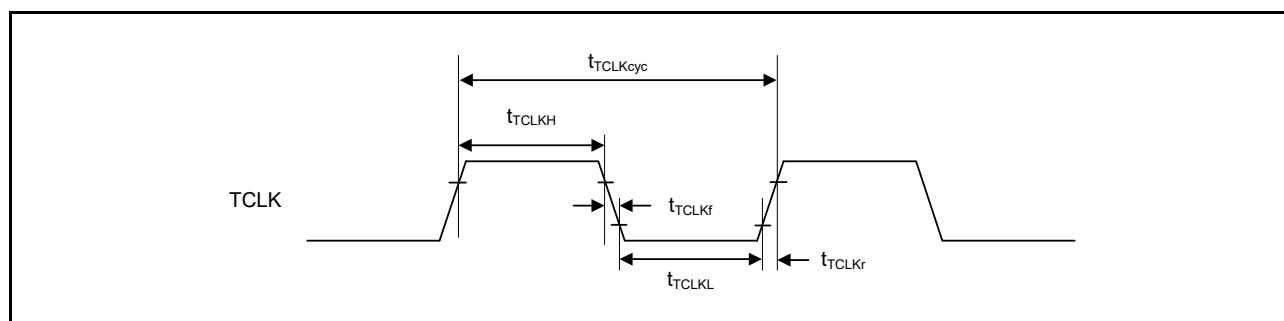


Figure 2.79 ETM TCLK timing

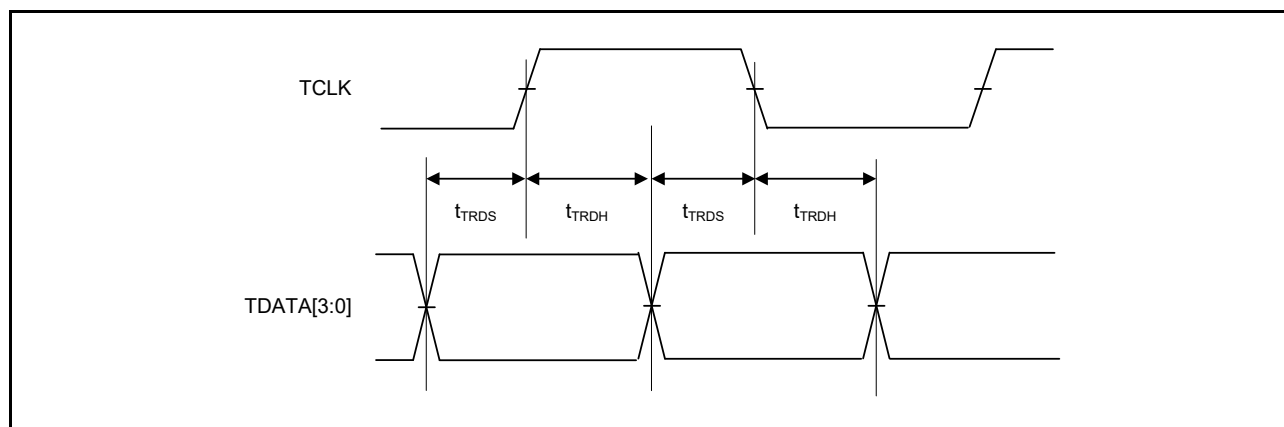


Figure 2.80 ETM output timing

## Appendix 1. Package Dimensions

Information on the latest version of the package dimensions or mountings is shown in “Packages” on the Renesas Electronics Corporation website.

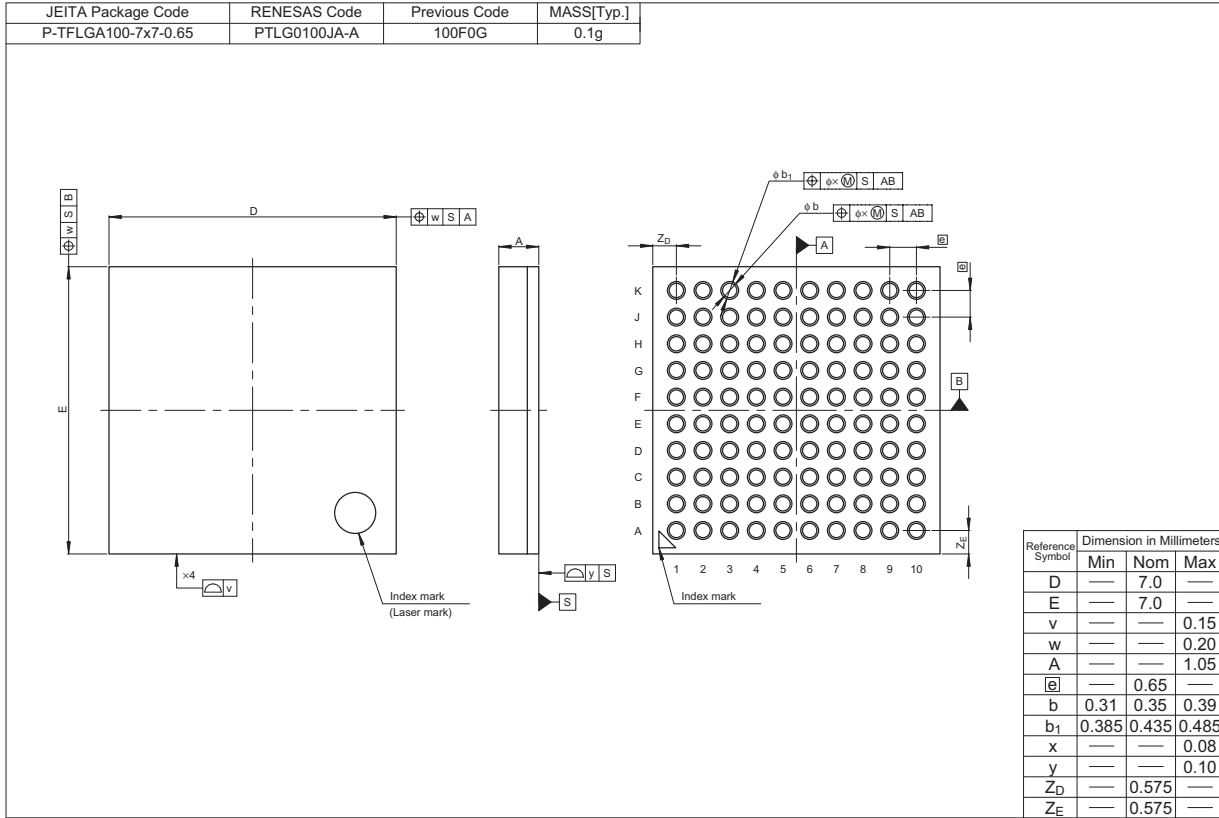


Figure 1.1 100-pin LGA

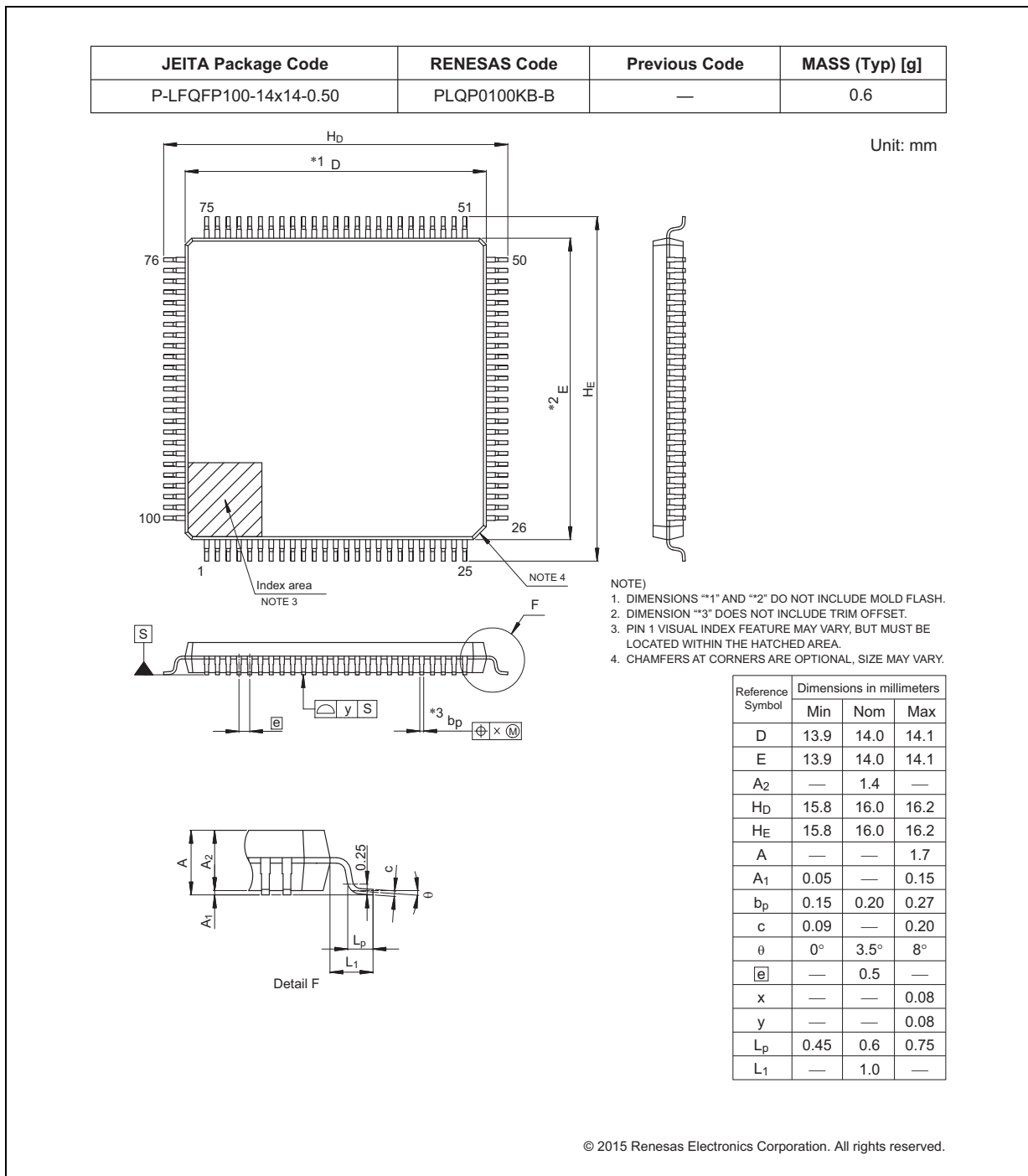
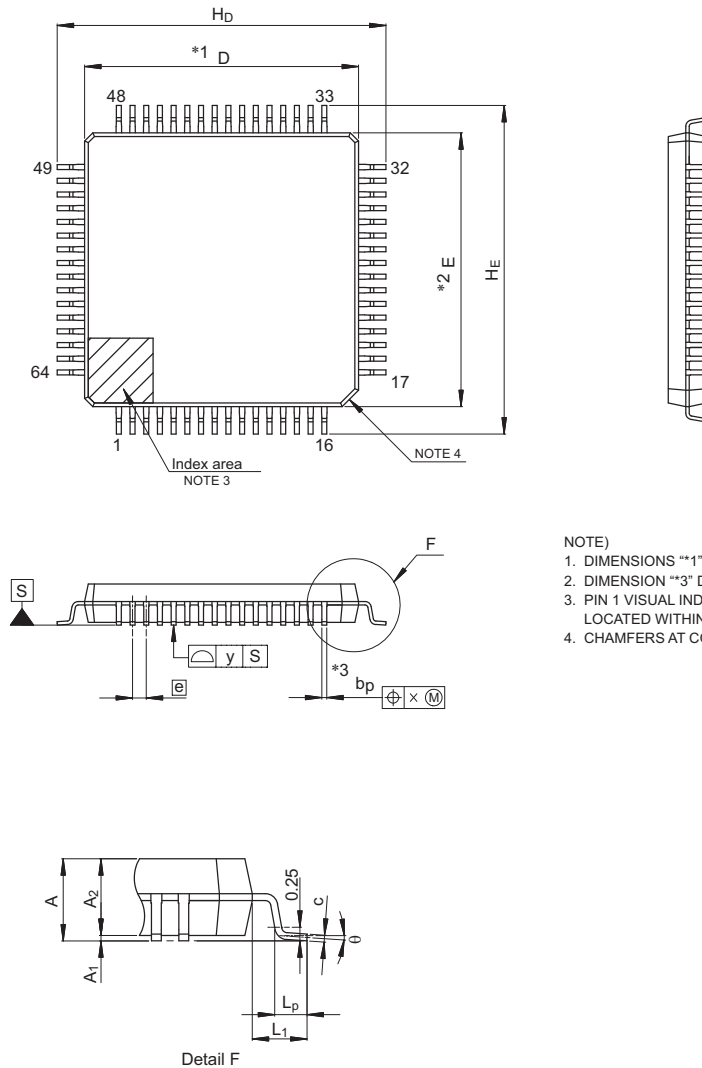


Figure 1.2 100-pin LQFP

JEITA Package Code	RENESAS Code	Previous Code	MASS (Typ) [g]
P-LFQFP64-10x10-0.50	PLQP0064KB-C	—	0.3

Unit: mm



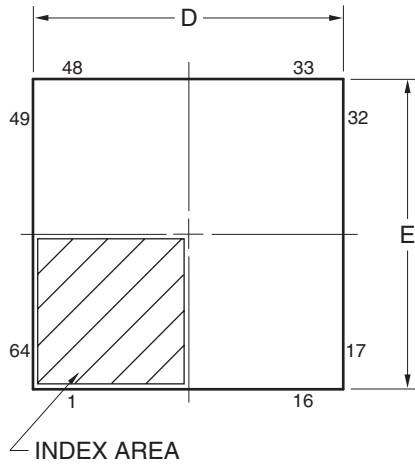
- NOTE)
1. DIMENSIONS \*\*1\* AND \*\*2\* DO NOT INCLUDE MOLD FLASH.
  2. DIMENSION \*\*3\* DOES NOT INCLUDE TRIM OFFSET.
  3. PIN 1 VISUAL INDEX FEATURE MAY VARY, BUT MUST BE LOCATED WITHIN THE HATCHED AREA.
  4. CHAMFERS AT CORNERS ARE OPTIONAL, SIZE MAY VARY.

Reference Symbol	Dimensions in millimeters		
	Min	Nom	Max
D	9.9	10.0	10.1
E	9.9	10.0	10.1
A <sub>2</sub>	—	1.4	—
H <sub>D</sub>	11.8	12.0	12.2
H <sub>E</sub>	11.8	12.0	12.2
A	—	—	1.7
A <sub>1</sub>	0.05	—	0.15
b <sub>p</sub>	0.15	0.20	0.27
c	0.09	—	0.20
$\theta$	0°	3.5°	8°
$e$	—	0.5	—
x	—	—	0.08
y	—	—	0.08
L <sub>p</sub>	0.45	0.6	0.75
L <sub>1</sub>	—	1.0	—

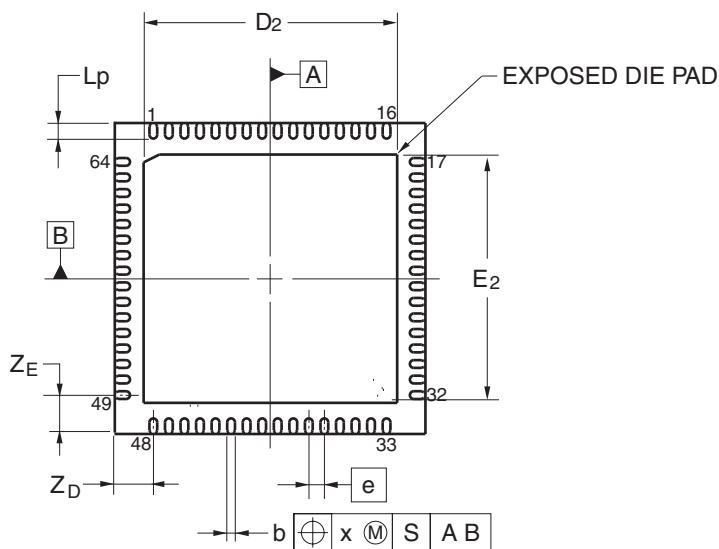
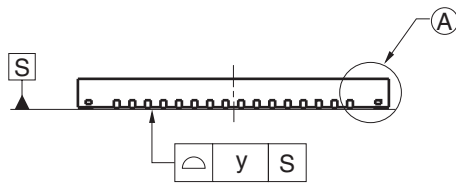
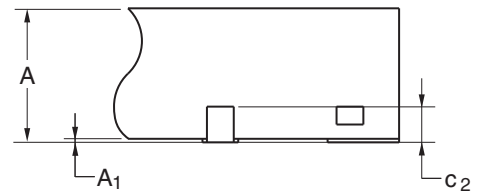
© 2015 Renesas Electronics Corporation. All rights reserved.

Figure 1.3 64-pin LQFP

JEITA Package code	RENESAS code	Previous code	MASS(TYP.)[g]
P-HWQFN64-8x8-0.40	PWQN0064LA-A	P64K8-40-9B5-3	0.16



DETAIL OF (A) PART



Reference Symbol	Dimension in Millimeters		
	Min	Nom	Max
D	7.95	8.00	8.05
E	7.95	8.00	8.05
A	—	—	0.80
A <sub>1</sub>	0.00	—	—
b	0.17	0.20	0.23
e	—	0.40	—
L <sub>p</sub>	0.30	0.40	0.50
x	—	—	0.05
y	—	—	0.05
Z <sub>D</sub>	—	1.00	—
Z <sub>E</sub>	—	1.00	—
c <sub>2</sub>	0.15	0.20	0.25
D <sub>2</sub>	—	6.50	—
E <sub>2</sub>	—	6.50	—

©2013 Renesas Electronics Corporation. All rights reserved.

Figure 1.4 64-pin QFN

Revision History	S5D3 Microcontroller Group Datasheet
------------------	--------------------------------------

Rev.	Date	Summary
1.00	Aug 10, 2018	First release

## Website and Support

Visit the following vanity URLs to learn about key elements of the Synergy Platform, download components and related documentation, and get support.

Synergy Software	<a href="https://renesas.com/synergy/software">renesassynergy.com/software</a>
Synergy Software Package	<a href="https://renesas.com/synergy/ssp">renesassynergy.com/ssp</a>
Software add-ons	<a href="https://renesas.com/synergy/addons">renesassynergy.com/addons</a>
Software glossary	<a href="https://renesas.com/synergy/softwareglossary">renesassynergy.com/softwareglossary</a>
Development tools	<a href="https://renesas.com/synergy/tools">renesassynergy.com/tools</a>
Synergy Hardware	<a href="https://renesas.com/synergy/hardware">renesassynergy.com/hardware</a>
Microcontrollers	<a href="https://renesas.com/synergy/mcus">renesassynergy.com/mcus</a>
MCU glossary	<a href="https://renesas.com/synergy/mcuglossary">renesassynergy.com/mcuglossary</a>
Parametric search	<a href="https://renesas.com/synergy/parametric">renesassynergy.com/parametric</a>
Kits	<a href="https://renesas.com/synergy/kits">renesassynergy.com/kits</a>
Synergy Solutions Gallery	<a href="https://renesas.com/synergy/solutionsgallery">renesassynergy.com/solutionsgallery</a>
Partner projects	<a href="https://renesas.com/synergy/partnerprojects">renesassynergy.com/partnerprojects</a>
Application projects	<a href="https://renesas.com/synergy/applicationprojects">renesassynergy.com/applicationprojects</a>
Self-service support resources:	
Documentation	<a href="https://renesas.com/synergy/docs">renesassynergy.com/docs</a>
Knowledgebase	<a href="https://renesas.com/synergy/knowledgebase">renesassynergy.com/knowledgebase</a>
Forums	<a href="https://renesas.com/synergy/forum">renesassynergy.com/forum</a>
Training	<a href="https://renesas.com/synergy/training">renesassynergy.com/training</a>
Videos	<a href="https://renesas.com/synergy/videos">renesassynergy.com/videos</a>
Chat and web ticket	<a href="https://renesas.com/synergy/support">renesassynergy.com/support</a>

## Proprietary Notice

All text, graphics, photographs, trademarks, logos, artwork and computer code, collectively known as content, contained in this document is owned, controlled or licensed by or to Renesas, and is protected by trade dress, copyright, patent and trademark laws, and other intellectual property rights and unfair competition laws. Except as expressly provided herein, no part of this document or content may be copied, reproduced, republished, posted, publicly displayed, encoded, translated, transmitted or distributed in any other medium for publication or distribution or for any commercial enterprise, without prior written consent from Renesas.

Arm® and Cortex® are registered trademarks of Arm Limited. CoreSight™ is a trademark of Arm Limited.

CoreMark® is a registered trademark of the Embedded Microprocessor Benchmark Consortium.

Magic Packet™ is a trademark of Advanced Micro Devices, Inc.

SuperFlash® is a registered trademark of Silicon Storage Technology, Inc. in several countries including the United States and Japan.

Other brands and names mentioned in this document may be the trademarks or registered trademarks of their respective holders.



---

S5D3 Microcontroller Group Datasheet

Publication Date: Rev.1.00 Aug 10, 2018

Published by: Renesas Electronics Corporation

---

## General Precautions

### 1. Precaution against Electrostatic Discharge (ESD)

A strong electrical field, when exposed to a CMOS device, can cause destruction of the gate oxide and ultimately degrade the device operation. Steps must be taken to stop the generation of static electricity as much as possible, and quickly dissipate it when it occurs. Environmental control must be adequate. When it is dry, a humidifier should be used. This is recommended to avoid using insulators that can easily build up static electricity. Semiconductor devices must be stored and transported in an anti-static container, static shielding bag or conductive material. All test and measurement tools including work benches and floors must be grounded. The operator must also be grounded using a wrist strap. Semiconductor devices must not be touched with bare hands. Similar precautions must be taken for printed circuit boards with mounted semiconductor devices.

### 2. Processing at power-on

The state of the product is undefined at the time when power is supplied. The states of internal circuits in the LSI are indeterminate and the states of register settings and pins are undefined at the time when power is supplied. In a finished product where the reset signal is applied to the external reset pin, the states of pins are not guaranteed from the time when power is supplied until the reset process is completed. In a similar way, the states of pins in a product that is reset by an on-chip power-on reset function are not guaranteed from the time when power is supplied until the power reaches the level at which resetting is specified.

### 3. Input of signal during power-off state

Do not input signals or an I/O pull-up power supply while the device is powered off. The current injection that results from input of such a signal or I/O pull-up power supply may cause malfunction and the abnormal current that passes in the device at this time may cause degradation of internal elements. Follow the guideline for input signal during power-off state as described in your product documentation.

### 4. Handling of unused pins

Handle unused pins in accordance with the directions given under handling of unused pins in the manual. The input pins of CMOS products are generally in the high-impedance state. In operation with an unused pin in the open-circuit state, extra electromagnetic noise is induced in the vicinity of the LSI, an associated shoot-through current flows internally, and malfunctions occur due to the false recognition of the pin state as an input signal become possible.

### 5. Clock signals

After applying a reset, only release the reset line after the operating clock signal becomes stable. When switching the clock signal during program execution, wait until the target clock signal is stabilized. When the clock signal is generated with an external resonator or from an external oscillator during a reset, ensure that the reset line is only released after full stabilization of the clock signal. Additionally, when switching to a clock signal produced with an external resonator or by an external oscillator while program execution is in progress, wait until the target clock signal is stable.

### 6. Voltage application waveform at input pin

Waveform distortion due to input noise or a reflected wave may cause malfunction. If the input of the CMOS device stays in the area between  $V_{IL}$  (Max.) and  $V_{IH}$  (Min.) due to noise, for example, the device may malfunction. Take care to prevent chattering noise from entering the device when the input level is fixed, and also in the transition period when the input level passes through the area between  $V_{IL}$  (Max.) and  $V_{IH}$  (Min.).

### 7. Prohibition of access to reserved addresses

Access to reserved addresses is prohibited. The reserved addresses are provided for possible future expansion of functions. Do not access these addresses as the correct operation of the LSI is not guaranteed.

### 8. Differences between products

Before changing from one product to another, for example to a product with a different part number, confirm that the change will not lead to problems. The characteristics of a microprocessing unit or microcontroller unit products in the same group but having a different part number might differ in terms of internal memory capacity, layout pattern, and other factors, which can affect the ranges of electrical characteristics, such as characteristic values, operating margins, immunity to noise, and amount of radiated noise. When changing to a product with a different part number, implement a system-evaluation test for the given product.

## Notice

1. Descriptions of circuits, software and other related information in this document are provided only to illustrate the operation of semiconductor products and application examples. You are fully responsible for the incorporation or any other use of the circuits, software, and information in the design of your product or system. Renesas Electronics disclaims any and all liability for any losses and damages incurred by you or third parties arising from the use of these circuits, software, or information.
2. Renesas Electronics hereby expressly disclaims any warranties against liability for infringement or any other claims involving patents, copyrights, or other intellectual property rights of third parties, by or arising from the use of Renesas Electronics products or technical information described in this document, including but not limited to, the product data, drawings, charts, programs, algorithms, and application examples.
3. No license, express, implied or otherwise, is granted hereby under any patents, copyrights or other intellectual property rights of Renesas Electronics or others.
4. You shall not alter, modify, copy, or reverse engineer any Renesas Electronics product, whether in whole or in part. Renesas Electronics disclaims any and all liability for any losses or damages incurred by you or third parties arising from such alteration, modification, copying or reverse engineering.
5. Renesas Electronics products are classified according to the following two quality grades: "Standard" and "High Quality". The intended applications for each Renesas Electronics product depends on the product's quality grade, as indicated below.  
"Standard": Computers; office equipment; communications equipment; test and measurement equipment; audio and visual equipment; home electronic appliances; machine tools; personal electronic equipment; industrial robots; etc.  
"High Quality": Transportation equipment (automobiles, trains, ships, etc.); traffic control (traffic lights); large-scale communication equipment; key financial terminal systems; safety control equipment; etc.  
Unless expressly designated as a high reliability product or a product for harsh environments in a Renesas Electronics data sheet or other Renesas Electronics document, Renesas Electronics products are not intended or authorized for use in products or systems that may pose a direct threat to human life or bodily injury (artificial life support devices or systems; surgical implantations; etc.), or may cause serious property damage (space system; undersea repeaters; nuclear power control systems; aircraft control systems; key plant systems; military equipment; etc.). Renesas Electronics disclaims any and all liability for any damages or losses incurred by you or any third parties arising from the use of any Renesas Electronics product that is inconsistent with any Renesas Electronics data sheet, user's manual or other Renesas Electronics document.
6. When using Renesas Electronics products, refer to the latest product information (data sheets, user's manuals, application notes, "General Notes for Handling and Using Semiconductor Devices" in the reliability handbook, etc.), and ensure that usage conditions are within the ranges specified by Renesas Electronics with respect to maximum ratings, operating power supply voltage range, heat dissipation characteristics, installation, etc. Renesas Electronics disclaims any and all liability for any malfunctions, failure or accident arising out of the use of Renesas Electronics products outside of such specified ranges.
7. Although Renesas Electronics endeavors to improve the quality and reliability of Renesas Electronics products, semiconductor products have specific characteristics, such as the occurrence of failure at a certain rate and malfunctions under certain use conditions. Unless designated as a high reliability product or a product for harsh environments in a Renesas Electronics data sheet or other Renesas Electronics document, Renesas Electronics products are not subject to radiation resistance design. You are responsible for implementing safety measures to guard against the possibility of bodily injury, injury or damage caused by fire, and/or danger to the public in the event of a failure or malfunction of Renesas Electronics products, such as safety design for hardware and software, including but not limited to redundancy, fire control and malfunction prevention, appropriate treatment for aging degradation or any other appropriate measures. Because the evaluation of microcomputer software alone is very difficult and impractical, you are responsible for evaluating the safety of the final products or systems manufactured by you.
8. Please contact a Renesas Electronics sales office for details as to environmental matters such as the environmental compatibility of each Renesas Electronics product. You are responsible for carefully and sufficiently investigating applicable laws and regulations that regulate the inclusion or use of controlled substances, including without limitation, the EU RoHS Directive, and using Renesas Electronics products in compliance with all these applicable laws and regulations. Renesas Electronics disclaims any and all liability for damages or losses occurring as a result of your noncompliance with applicable laws and regulations.
9. Renesas Electronics products and technologies shall not be used for or incorporated into any products or systems whose manufacture, use, or sale is prohibited under any applicable domestic or foreign laws or regulations. You shall comply with any applicable export control laws and regulations promulgated and administered by the governments of any countries asserting jurisdiction over the parties or transactions.
10. It is the responsibility of the buyer or distributor of Renesas Electronics products, or any other party who distributes, disposes of, or otherwise sells or transfers the product to a third party, to notify such third party in advance of the contents and conditions set forth in this document.
11. This document shall not be reprinted, reproduced or duplicated in any form, in whole or in part, without prior written consent of Renesas Electronics.
12. Please contact a Renesas Electronics sales office if you have any questions regarding the information contained in this document or Renesas Electronics products.  
(Note 1) "Renesas Electronics" as used in this document means Renesas Electronics Corporation and also includes its directly or indirectly controlled subsidiaries.  
(Note 2) "Renesas Electronics product(s)" means any product developed or manufactured by or for Renesas Electronics.

(Rev.4.0-1 November 2017)



### SALES OFFICES

Renesas Electronics Corporation

<http://www.renesas.com>

Refer to "<http://www.renesas.com/>" for the latest and detailed information.

#### **Renesas Electronics America Inc.**

1001 Murphy Ranch Road, Milpitas, CA 95035, U.S.A.  
Tel: +1-408-432-8888, Fax: +1-408-434-5351

#### **Renesas Electronics Canada Limited**

9251 Yonge Street, Suite 8309 Richmond Hill, Ontario Canada L4C 9T3  
Tel: +1-905-237-2004

#### **Renesas Electronics Europe Limited**

Dukes Meadow, Millboard Road, Bourne End, Buckinghamshire, SL8 5FH, U.K.  
Tel: +44-1628-651-700

#### **Renesas Electronics Europe GmbH**

Arcadiastrasse 10, 40472 Düsseldorf, Germany  
Tel: +49-211-6503-0, Fax: +49-211-6503-1327

#### **Renesas Electronics (China) Co., Ltd.**

Room 1709 Quantum Plaza, No.27 ZhichunLu, Haidian District, Beijing, 100191 P. R. China  
Tel: +86-10-8235-1155, Fax: +86-10-8235-7679

#### **Renesas Electronics (Shanghai) Co., Ltd.**

Unit 301, Tower A, Central Towers, 555 Langao Road, Putuo District, Shanghai, 200333 P. R. China  
Tel: +86-21-2226-0888, Fax: +86-21-2226-0999

#### **Renesas Electronics Hong Kong Limited**

Unit 1601-1611, 16/F., Tower 2, Grand Century Place, 193 Prince Edward Road West, Mongkok, Kowloon, Hong Kong  
Tel: +852-2265-6688, Fax: +852 2886-9022

#### **Renesas Electronics Taiwan Co., Ltd.**

13F, No. 363, Fu Shing North Road, Taipei 10543, Taiwan  
Tel: +886-2-8175-9600, Fax: +886 2-8175-9670

#### **Renesas Electronics Singapore Pte. Ltd.**

80 Bendemeer Road, Unit #06-02 Hyflux Innovation Centre, Singapore 339949  
Tel: +65-6213-0200, Fax: +65-6213-0300

#### **Renesas Electronics Malaysia Sdn.Bhd.**

Unit 1207, Block B, Menara Amcorp, Amcorp Trade Centre, No. 18, Jln Persiaran Barat, 46050 Petaling Jaya, Selangor Darul Ehsan, Malaysia  
Tel: +60-3-7955-9390, Fax: +60-3-7955-9510

#### **Renesas Electronics India Pvt. Ltd.**

No.777C, 100 Feet Road, HAL 2nd Stage, Indiranagar, Bangalore 560 038, India  
Tel: +91-80-67208700, Fax: +91-80-67208777

#### **Renesas Electronics Korea Co., Ltd.**

17F, KAMCO Yangjae Tower, 262, Gangnam-daero, Gangnam-gu, Seoul, 06265 Korea  
Tel: +82-2-558-3737, Fax: +82-2-558-5338

Renesas Synergy™ Platform  
S5D3 Microcontroller Group

