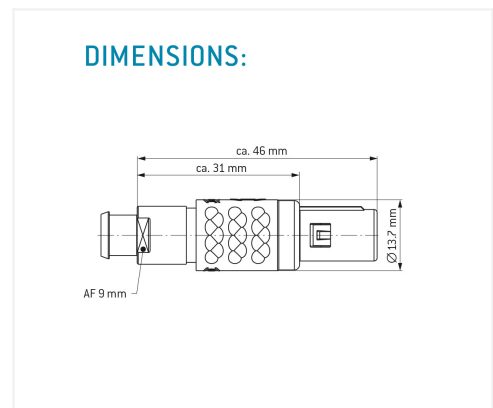
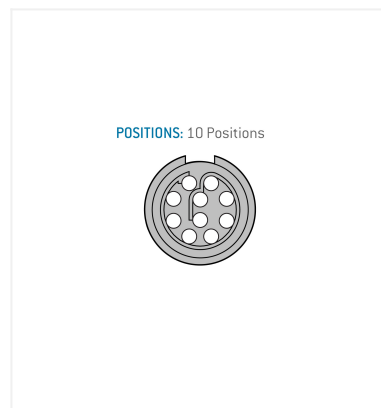


General information

Part number	S41M07-P10MCC0-527S
Termination	solder
Size	1
Locking principle	push
Coding	0_key
Cable Diameter	cable_medi_52
Cable outlet	bend_relief



Contact insert description

Number of contacts	10
Contact type	pins
Contact diameter	05mm
Insulator material	peek
Wire cross section	28_awg
Termination	solder
Termination diameter	045mm

reverse_gender_on_request

Technical information

Max. creepage and air clearance distance	05_mm	iec_60601_2mopp_2moop
Nominal current single contact	04_a	iec_60512_5_2
Nominal current insert	2.2 A	vde_0298_4
Test voltage	135_kv_dc	sae_13441

safety_text
 iec_60601_plug

Mechanical and environmental data

Degree of protection*	ip64
Operating temperature	50_120_c
Mating cycles	2000

mated

Insulator materials MEDI-SNAP®

psu_peek

Material and surface treatments

Housing	psu_gray
Color option	gray
Contact	cu_alloy_gold

safety_text_2
ul_text
illustrative_text