

# Customer Information Sheet

DRAWING No.: S1721-46

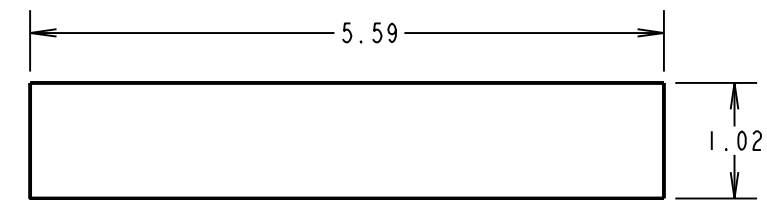
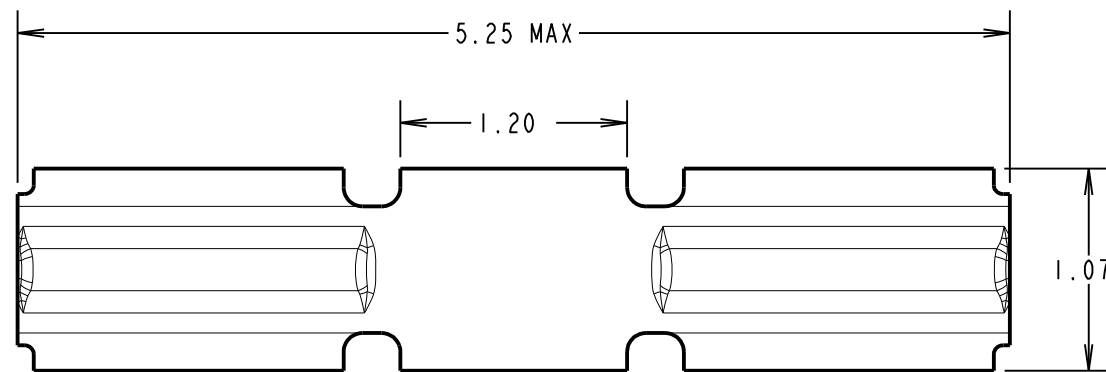
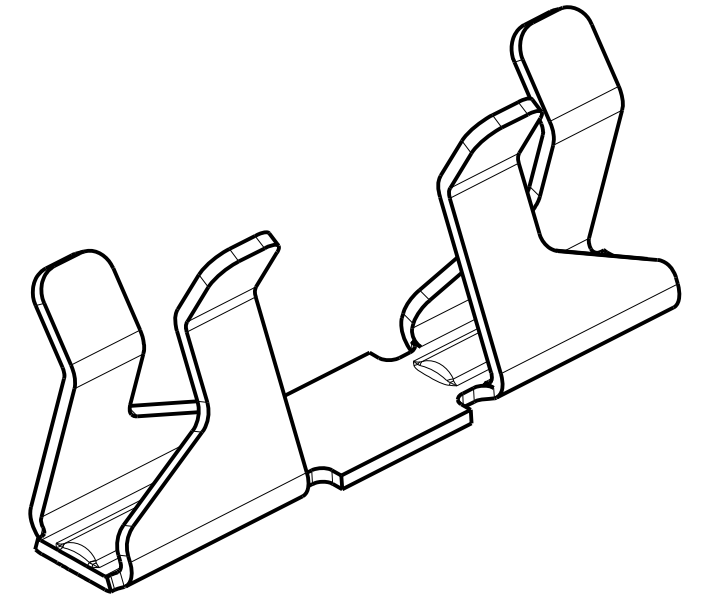
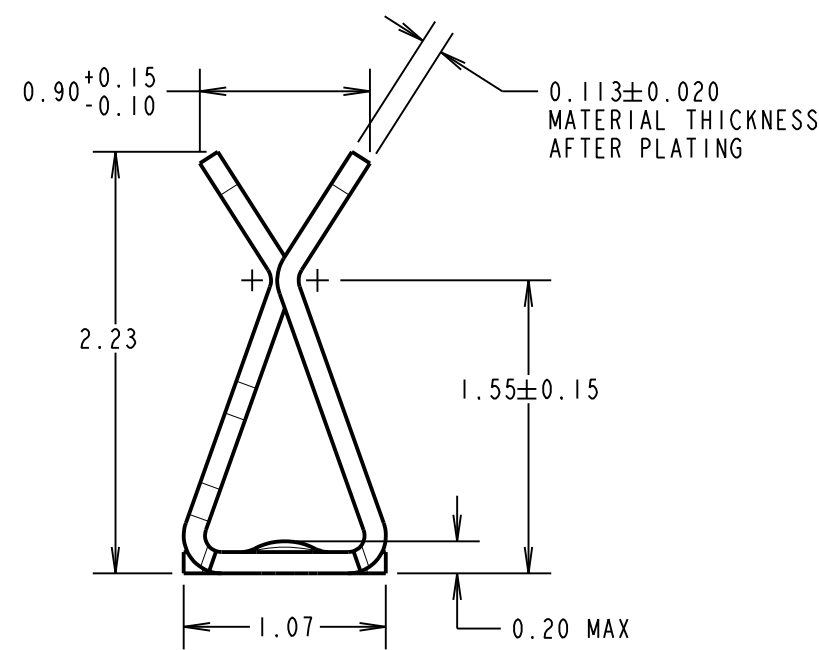
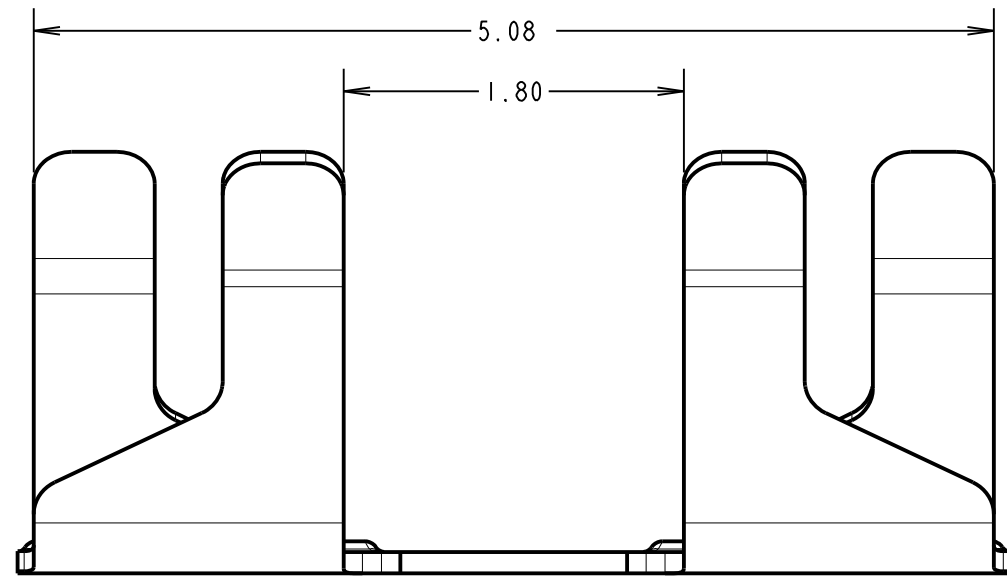
IF IN DOUBT - ASK

©

NOT TO SCALE

THIRD ANGLE PROJECTION

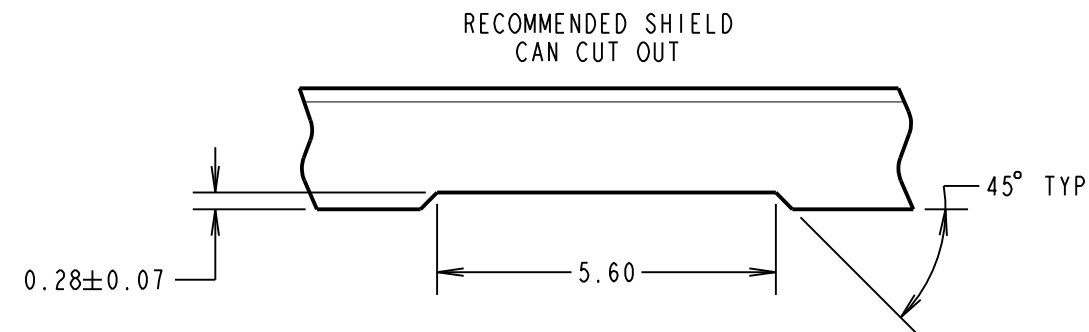
ALL DIMENSIONS IN mm



RECOMMENDED PAD LAYOUT

COMPONENT SPECIFICATION:  
 MATERIAL = BERYLLIUM COPPER  
 FINISH = 2.4-3.6µ 100% TIN,  
 OVER 2.0-2.8µ NICKEL  
 ENVIRONMENTAL:  
 OPERATING TEMPERATURE = -40°C TO +125°C

PERFORMANCE SPECIFICATION:  
 SHIELD THICKNESS = 0.13-0.23mm  
 ENGAGEMENT FORCE = 5N MAX.  
 DISENGAGEMENT FORCE = 0.35N MIN.  
 DURABILITY = 15 ACTUATIONS MIN.  
 CONTACT RESISTANCE = 40mΩ MAX.



MSP	9	03.08.17	20719
NAME	ISS.	DATE	C/NOTE
APPROVED:		M. PERREN	
CHECKED:		S. BENNETT	
DRAWN:		J. ENRIGHT	
CUSTOMER REF.:			
ASSEMBLY DRG:			

NOTES:  
 1. FOR TAPE AND REELED VERSION, SEE S1721-46R.  
 2. PACKING:- 100 COMPONENTS PER BAG.  
 NB: COMPONENTS SUPPLIED IN TAPE POCKETS TO AVOID DAMAGE DURING STORAGE AND TRANSIT.

**HARWIN**  
 www.harwin.com  
 technical@harwin.com

THIS DRAWING AND ANY INFORMATION OR DESCRIPTIVE MATTER SET OUT HEREON ARE CONFIDENTIAL AND COPYRIGHT PROPERTY OF THE HARWIN GROUP AND MUST NOT BE DISCLOSED, LOANED, COPIED OR USED FOR MANUFACTURING, TENDERING OR FOR ANY OTHER PURPOSE WITHOUT THEIR WRITTEN PERMISSION.

TOLERANCES  
 X. = ±1mm  
 X.X = ±0.25mm  
 X.XX = ±0.10mm  
 X.XXX = ±0.01mm  
 ANGLES = ±5°  
 UNLESS STATED

MATERIAL:  
 SEE ABOVE  
 FINISH: SEE ABOVE  
 S/AREA: mm<sup>2</sup>

TITLE:  
 MINI SMT RFI SHIELD CLIP (LOOSE)  
 DRAWING NUMBER:  
**S1721-46**  
 SHT 2 OF 2