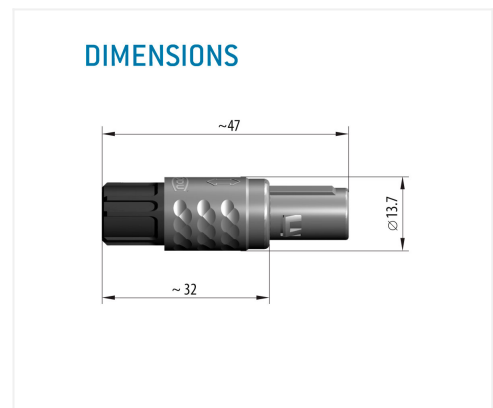
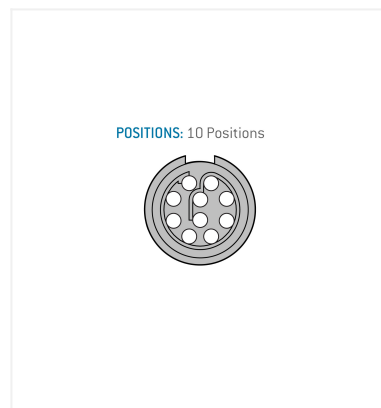


General information

| | |
|--------------------------|---------------------|
| Part number | S11MC7-P10MCC0-5230 |
| Termination | solder |
| Size | 1 |
| Locking principle | push |
| Coding | c_key_medi |
| Cable Diameter | cable_medi_52 |
| Cable outlet | standard |



Contact insert description

| | |
|-----------------------------|--------|
| Number of contacts | 10 |
| Contact type | pins |
| Contact diameter | 05mm |
| Insulator material | peek |
| Wire cross section | 28_awg |
| Termination | solder |
| Termination diameter | 045mm |

reverse_gender_on_request

Technical information

| | | |
|---|-----------|-----------------------|
| Max. creepage and air clearance distance | 05_mm | iec_60601_2mopp_2moop |
| Nominal current single contact | 04_a | iec_60512_5_2 |
| Nominal current insert | 2,2 A | vde_0298_4 |
| Test voltage | 135_kv_dc | sae_13441 |

safety_text
 iec_60601_plug

Mechanical and environmental data

| | |
|-----------------------|----------|
| Degree of protection* | ip50 |
| Operating temperature | 50_120_c |
| Mating cycles | 2000 |

mated_unmated

Insulator materials MEDI-SNAP®

psu_peek

Material and surface treatments

| | |
|--------------|---------------|
| Housing | psu_gray |
| Color option | white |
| Contact | cu_alloy_gold |

safety_text_2
ul_text
illustrative_text