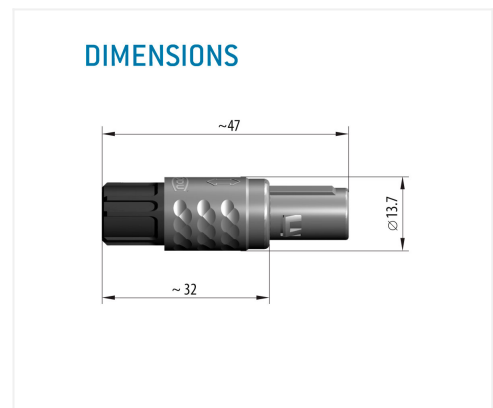
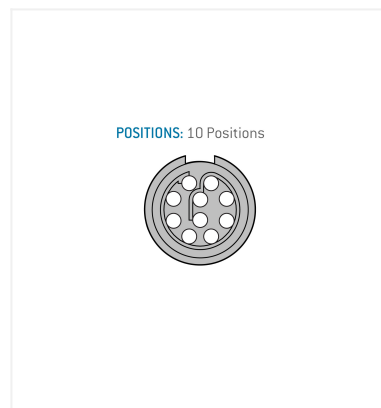
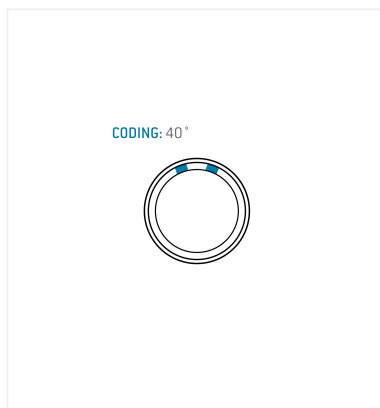


**General information**

|                   |                     |
|-------------------|---------------------|
| Part number       | S11MA7-P10MCCO-3930 |
| Termination       | solder              |
| Size              | 1                   |
| Locking principle | push                |
| Coding            | a_key_medi          |
| Cable Diameter    | cable_medi_39       |
| Cable outlet      | standard            |



**Contact insert description**

|                      |        |
|----------------------|--------|
| Number of contacts   | 10     |
| Contact type         | pins   |
| Contact diameter     | 05mm   |
| Insulator material   | peek   |
| Wire cross section   | 28_awg |
| Termination          | solder |
| Termination diameter | 045mm  |

reverse\_gender\_on\_request

**Technical information**

|  |           |                       |
|--|-----------|-----------------------|
| Max. creepage and air clearance distance | 05_mm     | iec_60601_2mopp_2moop |
| Nominal current single contact           | 04_a      | iec_60512_5_2         |
| Nominal current insert                   | 2,2 A     | vde_0298_4            |
| Test voltage                             | 135_kv_dc | sae_13441             |

safety\_text  
 iec\_60601\_plug

## Mechanical and environmental data

|                       |          |
|-----------------------|----------|
| Degree of protection* | ip50     |
| Operating temperature | 50_120_c |
| Mating cycles         | 2000     |

mated\_unmated

## Insulator materials MEDI-SNAP®

psu\_peek

## Material and surface treatments

|              |               |
|--------------|---------------|
| Housing      | psu_gray      |
| Color option | white         |
| Contact      | cu_alloy_gold |

safety\_text\_2  
ul\_text  
illustrative\_text