

RECEPTACLES

Features:

- DIN Rail, Panel Mount or Wall Mount
- Rating: 16A/250V AC
- Finger Protection: IP20
- Available in 3 colors.

PANEL MOUNT



WALL MOUNT



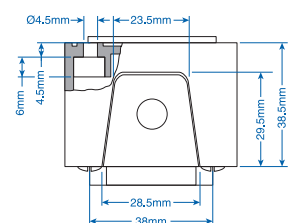
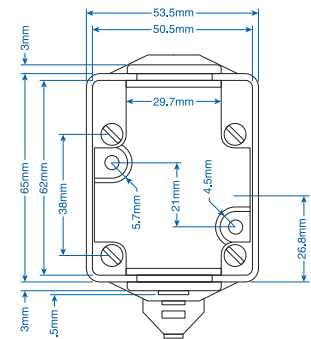
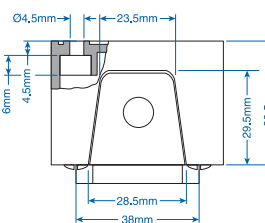
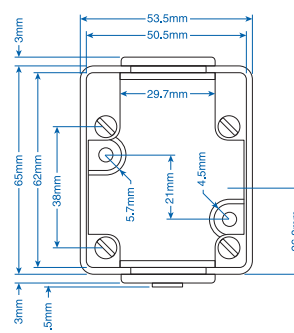
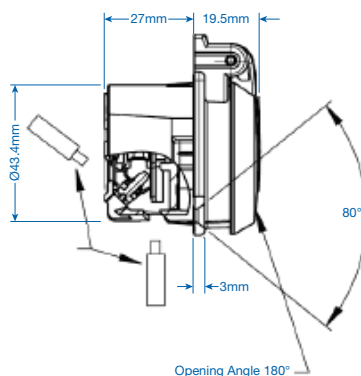
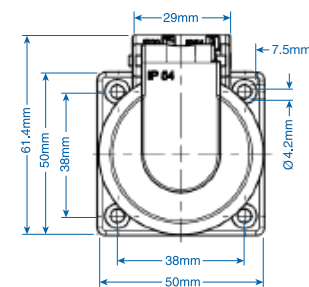
DIN RAIL MOUNT



External Dimension (HxWxL mm)	46.5 x 61.4 x 50	50 x 71 x 53.5	58.5 x 84 x 53.5
Stripping Length	10 mm	10 mm	10 mm
Insulation Material	Thermoplastic	Thermoplastic	Thermoplastic
Type of Connection	3 screw clamps	3 screw clamps	3 screw clamps
Standard	DIN 49440	DIN 49440	DIN 49440
Voltage Rating	250 V	250 V	250 V
Current Rating	16 A	16 A	16 A

	Cat. No.	Std. Pk.	Cat. No.	Std. Pk.	Cat. No.	Std. Pk.
Complete Kit:						
Blue	PMRBU-GE	1	WMRBU-GE Black Box*	1	DMRBU-GE Black Box*	1
Gray	PMRGR-GE	1	WMRGR-GE Black Box*	1	DMRGR-GE Black Box*	1
Black	PMRBA-GE	1	WMRBA-GE Black Box	1	DMRBA-GE Black Box	1

Optional Accessory Sealing Gasket for Panel Mount Receptacles	SEALGASK	1	Includes Sealing Gasket	Includes Sealing Gasket
---	----------	---	-------------------------	-------------------------



* Please Note:

Matching colored blue and gray assembly enclosures have been discontinued.

The hinged protective covers are still available in blue, gray, and black.