

Product Data Sheet

9592506006

VHS0148XUEBS

RV40-18/12L

ebmpapst

The engineer's choice



RV40-18/12L

INDEX

1 General 3

2 Mechanics 3

2.1 General..... 3

2.2 Connections..... 3

3 Operating Data 4

3.1 Electrical Operating Data 4

3.2 Electrical Features 5

3.3 Aerodynamics 6

3.4 Sound Data..... 7

4 Environment..... 7

4.1 General..... 7

4.2 Climatic Requirements 7

5 Safety..... 8

5.1 Electrical Safety 8

5.2 Approval Tests 8

6 Reliability..... 8

6.1 General..... 8

1 General

Fan type	Blower	
Rotating direction looking at rotor	Counterclockwise	
Airflow direction	Air in axially, Air out radially	
Bearing system	Ball bearing	
Mounting position - shaft	Any	

2 Mechanics

2.1 General

Width	105,0 mm	
Height	77,0 mm	
Depth	60,0 mm	
Mass	0,130 kg	
Housing material	Plastic	
Impeller material	Plastic	
Max. torque when mounted across both mounting flanges	Wire outlet corner: 120 Ncm Remaining corners: 120 Ncm	
Screw size	ISO 4762 - M4 degreased, without an additional brace and without washer	

2.2 Connections

Electrical connection	Wires	
Lead wire length	L = 300 mm	
Tolerance	+/- 10,0 mm	



Wire	Color	Operation	Wire size	Insulation diameter
1	red	+ UB	AWG 22	1,70 mm
2	brown	- GND	AWG 22	1,70 mm

3 Operating Data

3.1 Electrical Operating Data

Measurement conditions: Normal air density = 1,2 kg/m³; Temperature 23°C +/- 3°C; Motor axis horizontal; warm-up time before measuring 5 minutes (unless otherwise specified). In the intake and outlet area should not be any solid obstruction within 0,5 m.

$\Delta p = 0$: corresp. to free air flow (see chapter aerodynamics)
I: corresp. to arithm. mean current value

Attention!

The test voltage according to VW standard 801 01 1999 -06 2.2 is 14 VDC + 0.1V (max. 14.1 VDC!)

Features	Condition	Symbol	Values		
Voltage range		U	9,0 V		16,0 V
Nominal voltage		U _N		12,0 V	
Power consumption	$\Delta p = 0$	P	1,4 W	2,3 W	3,0 W
Tolerance	0010		+/- 17,5 %	+/- 10,0 %	+/- 15,0 %
Current consumption	$\Delta p = 0$	I	155 mA	185 mA	185 mA
Tolerance	0010		+/- 17,5 %	+/- 10,0 %	+/- 15,0 %
Speed	$\Delta p = 0$	n	3.000 1/min	3.900 1/min	3.900 1/min
Tolerance	0010		+/- 12,5 %	+/- 10,0 %	+/- 10,0 %

3.2 Electrical Features

Electronic function	None	
Reversed polarity protection		
Max. residual current at U_N		
Locked rotor protection		
Locked rotor current at U_N	I_{block}	

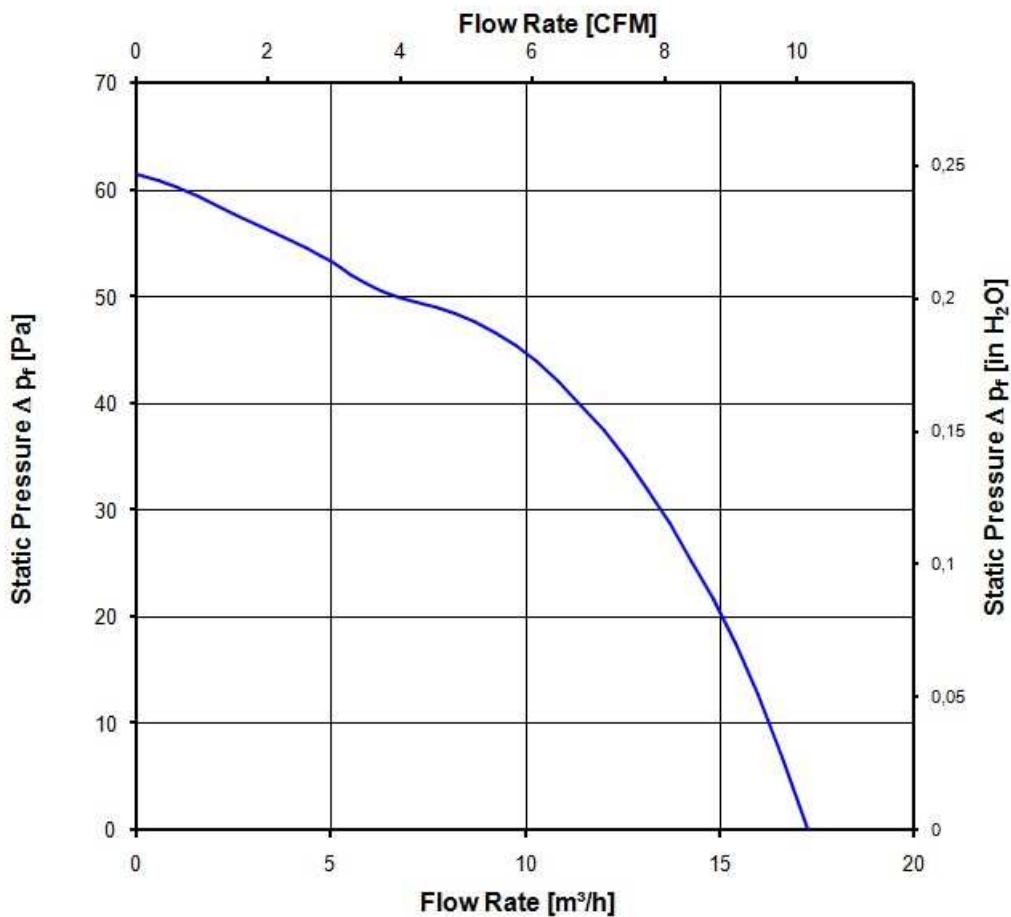
3.3 Aerodynamics

Measurement conditions: Measured with a double chamber intake rig.
Normal air density = 1,2 kg/m³; Temperature 23°C +/- 3°C;
In the intake and outlet area should not be any solid obstruction within 0,5 m. Motor shaft horizontal.
The information is only valid under the specified test conditions and may be changed by the installation conditions. If there are deviations from the standard test conditions, the characteristic values must be checked under the installed conditions.

a.) Operation condition:

3.900 1/min at free air flow

Max. free-air flow ($\Delta p = 0 / \dot{V} = \text{max.}$)	17,0 m ³ /h	
Max. static pressure ($\Delta p = \text{max.} / \dot{V} = 0$)	62 Pa	



3.4 Sound Data

Measurement conditions: Sound pressure level: 1 meter distance between microphone and the air intake.

Measured in a semianchoic chamber with a background noise level of $L_p(A) < 5 \text{ dB(A)}$
For further measurement conditions see chapter aerodynamics.

a.) Operation condition:

3.900 1/min at free air flow

4 Environment

4.1 General

Min. permitted ambient temperature TU min.	-20 °C	
Max. permitted ambient temperature TU max.	70 °C	
Min. permitted storage temperature TL min.	-40 °C	
Max. permitted storage temperature TL max.	70 °C	

4.2 Climatic Requirements

Humidity requirements	humid heat, constant; according to DIN EN 60068-2-78, 14 days	
Water exposure	None	
Dust requirements	None	
Salt fog requirements	None	

Permitted application area:

The product is intended for use in sheltered rooms with controlled temperature and controlled humidity. Directly exposure to water must be avoided.

Pollution degree 1 (according DIN EN 60664-1)

There is either no pollution or it occurs only dry, non-conductive pollution. The pollution has no negative impact.

Please require severity levels and specification parameters from the responsible development departments.

5 Safety

5.1 Electrical Safety

Dielectric strength DIN EN 60950 (VDE 0805) and DIN EN 60335 (VDE 0700) A.) Type test Measuring conditions: After 48h of storage at 95% R.H. and 25°C. No arcing or breakdown is allowed! All connections together to ground.	500 VAC / 1 Min.	
B.) Routine test Measuring conditions: At indoor climate. No arcing or breakdown is allowed! All connections together to ground.	850 VDC / 1 Sec.	
Isolation resistance Measuring conditions: After 48h of storage at 95% R.H. and 25°C measured with U=500 VDC for 1 min.	RI > 10 MOhm	
Clearance / creepage distance	1,0 mm / 1,2 mm	
Protection class	III	

5.2 Approval Tests

CE	EC Declaration of Conformity	Yes
EAC	Eurasian Conformity	Yes
UL	Underwriters Laboratories	No
VDE	Association for Electrical, Electronic and Information Technologies	No
CSA	Canadian Standards Association	No
CCC	China Compulsory Certification	Not applicable

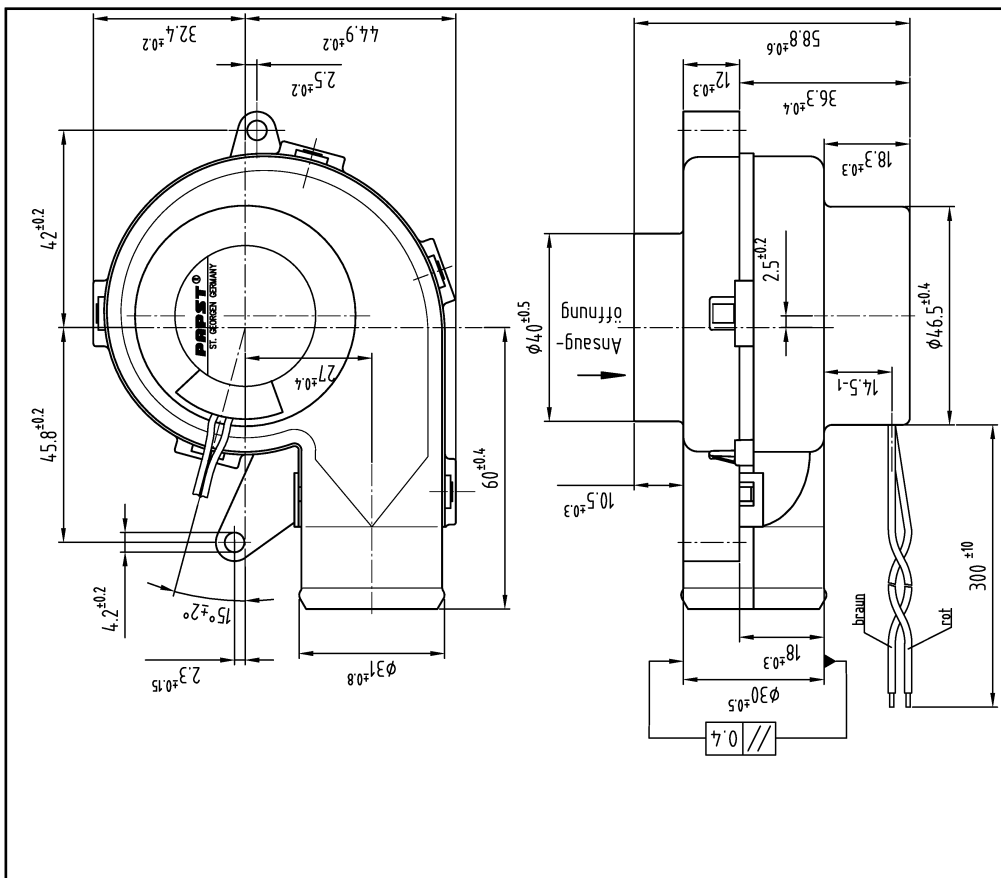
6 Reliability

6.1 General

Life expectancy L10 at TU = 40 °C	70.000 h	
Life expectancy L10 at TU max.	35.000 h	
Life expectancy L10 acc. to IPC 9591 at TU = 40 °C	117.500 h	

Copying of this document, and giving it to others and the use or communication of the contents thereof, are forbidden without express authority. Offenders are liable to the payment of damages. All rights are reserved. In the event of the grant of a patent or the registration of a utility model or design.

Schutzzemerk nach DIN 34 beachten



Tolerierung:
Allgemeintoleranzen:

Tolerierung: Allgemeintoleranzen:		Maßstab	
Artikel		Blatt	
Name		Zchg.-Nr.	
Datum		Ers.f.Zchg.:	
Erstellt		PAPST	
Geprüft		PAPST-MOTOREN GmbH & Co KG	
Gesenkt von		D-78112 St. Georgen	
Datum		Germany	
Zur Verwendung im Verteiler freigegeben		am	
von		083	
am		516	