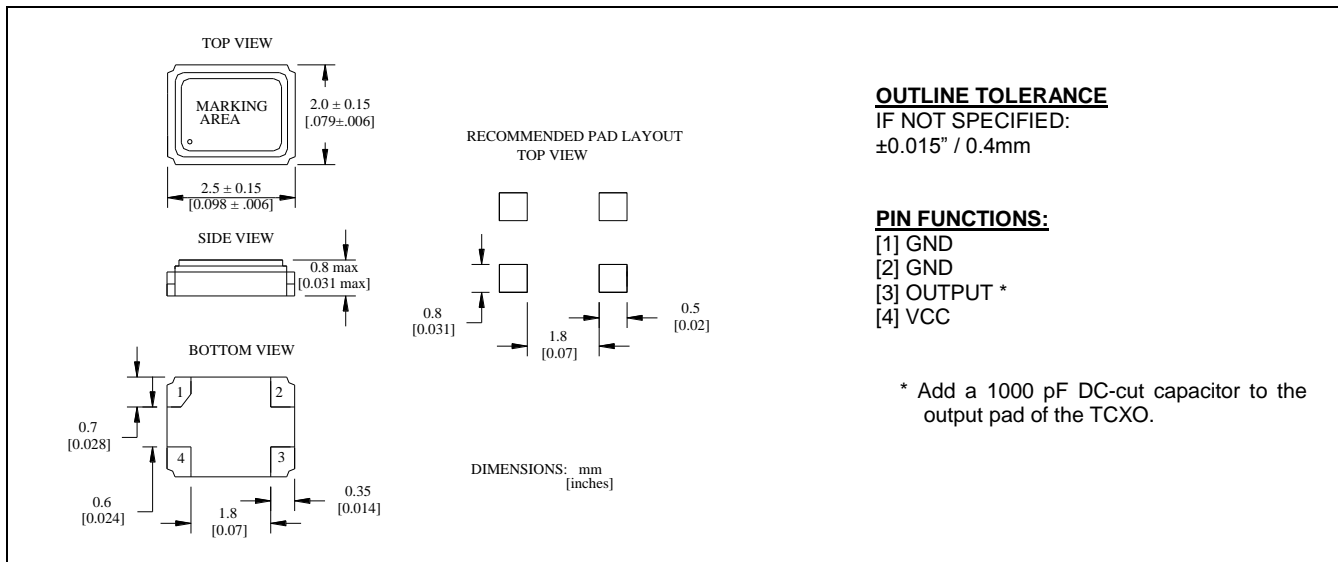


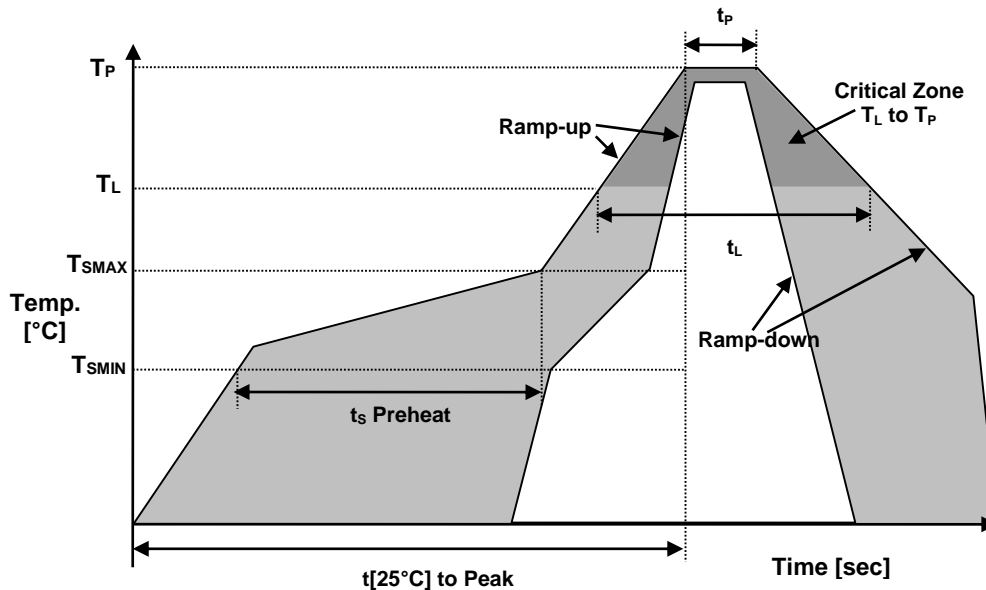
ELECTRICAL SPECIFICATION

PARAMETER	SYMBOL	CONDITIONS	VALUE	UNIT	
Nominal Frequency	f_0	$V_{CC} \pm 5\%$	48.000	MHz	
Supply voltage, nom.	V_{CC}	$V_{CC} \pm 5\%$,	2.5	VDC	
Supply current, max	I_S	$V_{CC} \pm 5\%$	2.0	mA	
Operating temperature	T_a		-30 ~ +85	°C	
Storage temperature	$T(stg)$	Absolute max	-40 ~ +85	°C	
Frequency Stability	vs. Temperature	$\Delta f/f_0(T_a)$	Reference to +25°C Cover Temperature Range	±0.5	ppm
	vs. Supply Voltage	$\Delta f/f_V$	$V_{CC} \pm 5\%$	±0.2	ppm
	vs. Load	$\Delta f/f_L$	Load ±10%	±0.2	ppm
	vs. Aging Max	$\Delta f/f_0(\text{year})$	Per Year at +25°C ± 2°C	±1.0	ppm
Initial Frequency Calibration, Max	f_c	Measured at 25°C, Reference to f_0 , after 2 reflows	±1.5	ppm	
Output Level, Clipped Sine Wave	-	10kΩ // 10 pF ±10%	0.8	V_{P-P}	
Start up time, Max	t_s	$V_{OUT} \geq 90\% V_{P-P}$	2.0	ms	
	$\mathcal{E}(\Delta f)$	$\Delta f=100$ Hz	-105	dBc/Hz	
	$\mathcal{E}(\Delta f)$	$\Delta f=1$ kHz	-125	dBc/Hz	
	$\mathcal{E}(\Delta f)$	$\Delta f=10$ kHz	-135	dBc/Hz	
	$\mathcal{E}(\Delta f)$	$\Delta f=100$ kHz	-145	dBc/Hz	

MECHANICAL SPECIFICATION



REFLOW PROFILE



Reflow profile		
Temperature Min Preheat	T_{SMIN}	150°C
Temperature Max Preheat	T_{SMAX}	200°C
Time (T_{SMIN} to T_{SMAX})	t_s	60-180 sec.
Temperature	T_L	217°C
Peak Temperature	T_P	260°C
Ramp-up rate	R_{UP}	3°C/sec max.
Ramp-down rate	R_{DOWN}	6°C/sec max.
Time within 5°C of Peak Temperature	t_p	10 sec.
Time $t_{[25^\circ\text{C}]}$ to Peak Temperature	$t_{[25^\circ\text{C}] \text{ to Peak}}$	480 sec.
Time	t_L	60-150 sec.

ENVIRONMENTAL

PARAMETER	VALUE
MOISTURE SENSITIVITY LEVEL	1
REACH-SVHC	COMPLIANT
RoHS2	6/6 LEAD FREE
TERMINATION FINISH	Au



• MARKING

Rx48.0
•AF3yw

x – Internal Production ID code
y – Year code
w – Week code

YEAR CODE	
Year	Code
2011	1
2012	2
2013	3
2014	4
2015	5
2016	6
2017	7
2018	8
2019	9

ALPHA WEEK CODE TABLE					
Week	Code	Week	Code	Week	Code
1	a	19	s	37	K
2	b	20	t	38	L
3	c	21	u	39	M
4	d	22	v	40	N
5	e	23	w	41	O
6	f	24	x	42	P
7	g	25	y	43	Q
8	h	26	z	44	R
9	i	27	A	45	S
10	j	28	B	46	T
11	k	29	C	47	U
12	l	30	D	48	V
13	m	31	E	49	W
14	n	32	F	50	X
15	o	33	G	51	Y
16	p	34	H	52	Z
17	q	35	I		
18	r	36	J		

■ APPROVALS

RALTRON	
Created by, date:	CP, February 04, 2016
Eng. approval, date:	CP, February 04, 2016
Revision:	A