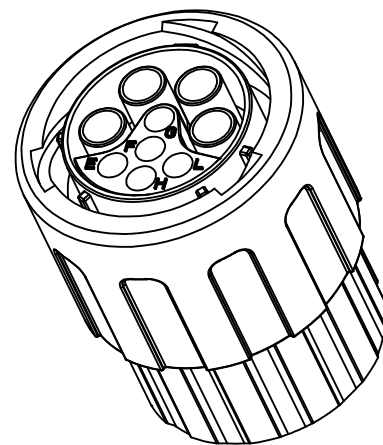
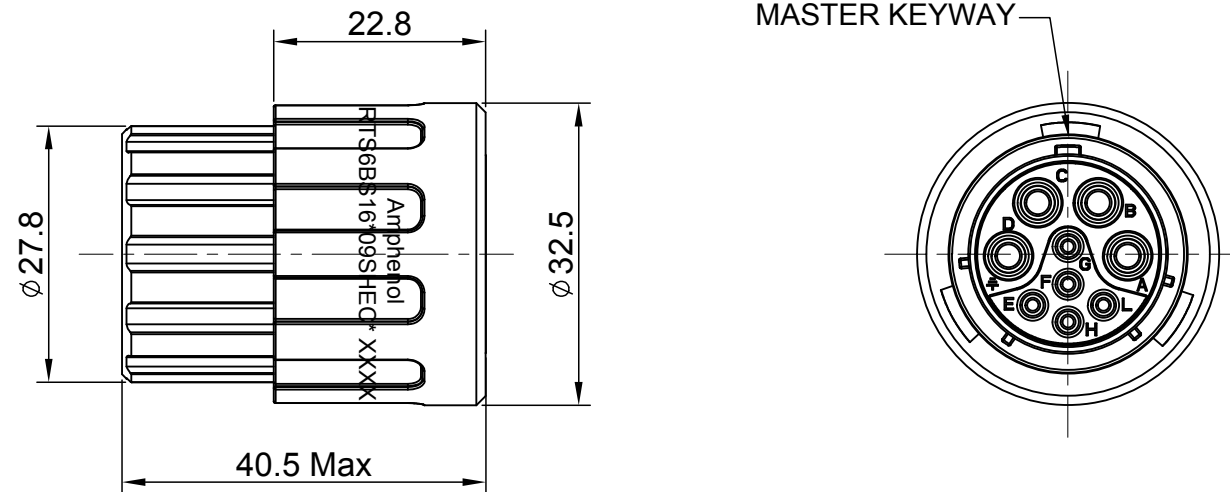


REVISIONS					
REV	ECO	DESCRIPTION	DATE	BY	APPR
A1	--	FIRST RELEASED	Mar-26-2017	Ben	Tommy
A2	--	UPDATE NOTES	Jul-04-2017	Nick	Tommy
A3	--	UPDATE DRAWING	Jan-24-2018	Nick	Tommy



NOTES : (UNLESS OTHERWISE SPECIFIED)

- MATERIAL :**
 SHELL : THERMOPLASTIC , UL94 V-0.
 INSERT : THERMOPLASTIC , UL94 V-0.
 COUPLING NUT : THERMOPLASTIC , UL94 V-0.
 O-RING : NBR OR SILICONE RUBBER.
 WASHER: SILICONE RUBBER
 END CAP : THERMOPLASTIC , UL94 V-0.
 PLASTC RING : THERMOPLASTIC , UL94 V-0.
 WIRE SEAL : SILICONE RUBBER.
- SPECIFICATIONS :**
 - RATED CURRENT :**
 - 16# CONTACT 13A (MAX).
 - 2.5mm CONTACT 23A (MAX).
 - RATED VOLTAGE :** 500V (AC/DC) .
 - OPERATING TEMPERATURE :** SEE TABLE.
 - DIELECTRIC WITHSTANDING VOLTAGE :** LESS THAN 2 MILLIAMPS CURRENT LEAKAGE@2000 VOLTS AC.
 - INSULATION RESISTANCE :** 5000 MEGOHMS MIN.
 - IP-CLASS :** IP67 AND IP69K.
 - MATING CYCLES DURABILITY :** 500 CYCLES MIN.
 - RoHS COMPLIANT.**
- SUITABLE CONTACTS :** 16# & 2.5mm CONTACTS.
- ALL DIMENSIONS ARE FOR REFERENCE USE ONLY.**
- CONTACT SIZE AND REAR SEAL WIRE RANGE :**

CONTACT SIZE	MIN. INSUL O.D.	MAX. INSUL O.D.	WIRE RANGE
16#	Ø 2.0mm	Ø 3.2mm	14 - 24AWG
2.5mm	Ø 3.3mm	Ø 4.3mm	14 - 12AWG

KEY	PART NUMBER	
	-40°C ~ 105°C	-40°C ~ 125°C
N	RTS6BS16N09SHEC	RTS6BS16N09SHEC03

QUANTITY	PART NUMBER	DESCRIPTION	ITEM												
MATERIALS LIST															
UNLESS OTHERWISE SPECIFIED 1) All dimensions are in metric(mm). 2) Tolerances are as follows: 1 PL DEC ±0.30 Fractions ±1/64 2 PL DEC ±0.15 Angles ±1° 3 PL DEC ±0.08 3) Note reference =		<table border="1"> <thead> <tr> <th>SIGNATURES</th> <th>DATE</th> </tr> </thead> <tbody> <tr> <td>DRAWN: Nick</td> <td>Jul-04-2017</td> </tr> <tr> <td>CHECKED: Tod</td> <td>Jul-04-2017</td> </tr> <tr> <td>ENGINEER:</td> <td></td> </tr> <tr> <td>APPROVAL: Tommy</td> <td>Jul-04-2017</td> </tr> </tbody> </table>		SIGNATURES	DATE	DRAWN: Nick	Jul-04-2017	CHECKED: Tod	Jul-04-2017	ENGINEER:		APPROVAL: Tommy	Jul-04-2017		
SIGNATURES	DATE														
DRAWN: Nick	Jul-04-2017														
CHECKED: Tod	Jul-04-2017														
ENGINEER:															
APPROVAL: Tommy	Jul-04-2017														
MATERIAL SPECIFICATIONS:		<table border="1"> <tr> <td colspan="2" style="text-align: center;">Amphenol</td> </tr> <tr> <td colspan="2" style="text-align: center;">Sine Systems - www.amphenol-sine.com 44724 Morley Drive Clinton Township, MI 48036</td> </tr> </table>		Amphenol		Sine Systems - www.amphenol-sine.com 44724 Morley Drive Clinton Township, MI 48036									
Amphenol															
Sine Systems - www.amphenol-sine.com 44724 Morley Drive Clinton Township, MI 48036															
PROCESS SPECIFICATIONS:		<table border="1"> <tr> <td colspan="2" style="text-align: center;">ECO-MATE, PLUG, END CAP, 9POS, SOCKET CONTACT, SIZE 16</td> </tr> </table>		ECO-MATE, PLUG, END CAP, 9POS, SOCKET CONTACT, SIZE 16											
ECO-MATE, PLUG, END CAP, 9POS, SOCKET CONTACT, SIZE 16															
NEXT ASSY:		<table border="1"> <tr> <td>SIZE</td> <td>TYPE</td> <td>DWG NO:</td> <td>REVISION</td> </tr> <tr> <td>B</td> <td>C-</td> <td>RTS6BS16*09SHEC*</td> <td>A3</td> </tr> <tr> <td>SCALE</td> <td colspan="2">NONE</td> <td>SHEET 1 OF 1</td> </tr> </table>		SIZE	TYPE	DWG NO:	REVISION	B	C-	RTS6BS16*09SHEC*	A3	SCALE	NONE		SHEET 1 OF 1
SIZE	TYPE	DWG NO:	REVISION												
B	C-	RTS6BS16*09SHEC*	A3												
SCALE	NONE		SHEET 1 OF 1												

TITLE: ECO-MATE, PLUG, END CAP, 9POS, SOCKET CONTACT, SIZE 16
 DWG NO: RTS6BS16*09SHEC*
 REV: A3
 SH: 1
 OF: 1

ecomate® RM/RSSM/Aquarius™ - Contact Size 16 Options

Crimp Contacts, Machined				
Part Number		AWG	Wire Range (mm ²)	Plating
Male	Female			
MP14M23F	MS14M23F	14	2.0-2.5	Gold Flash
MP14M23G5	MS14M23G5	14	2.0-2.5	Gold 5μ"
MP14M23G10	MS14M23G10	14	2.0-2.5	Gold 10μ"
MP14M23G15	MS14M23G15	14	2.0-2.5	Gold 15μ"
MP14M23G30	MS14M23G30	14	2.0-2.5	Gold 30μ"
MP16M23F	MS16M23F	18-16	0.75-1.5	Gold Flash
MP16M23G5	MS16M23G5	18-16	0.75-1.5	Gold 5μ"
MP16M23G10	MS16M23G10	18-16	0.75-1.5	Gold 10μ"
MP16M23G15	MS16M23G15	18-16	0.75-1.5	Gold 15μ"
MP16M23G30	MS16M23G30	18-16	0.75-1.5	Gold 30μ"
MP20M23F	MS20M23F	22-20	0.34-0.50	Gold Flash
MP20M23G5	MS20M23G5	22-20	0.34-0.50	Gold 5μ"
MP20M23G10	MS20M23G10	22-20	0.34-0.50	Gold 10μ"
MP20M23G15	MS20M23G15	22-20	0.34-0.50	Gold 15μ"
MP20M23G30	MS20M23G30	22-20	0.34-0.50	Gold 30μ"
MP24M23F	MS24M23F	26-24	0.14-0.25	Gold Flash
MP24M23G5	MS24M23G5	26-24	0.14-0.25	Gold 5μ"
MP24M23G10	MS24M23G10	26-24	0.14-0.25	Gold 10μ"
MP24M23G15	MS24M23G15	26-24	0.14-0.25	Gold 15μ"
MP24M23G30	MS24M23G30	26-24	0.14-.025	Gold 30μ"

Tooling, Machined	
Part Number	Description
QXRT16	Contact Extraction Tool, #16 (Ø 1.6) Contact
MFX-3959	Hand Crimp Tool for Machined Contacts
MFX-3960	Pneumatic Crimp Tool for Machined Contact

Plating Options, All	
Symbol	Plating
T	Tin Plated (for Stamped & Formed Contacts)
S	Silver Plated 5Um (for Machined Contacts)
F	Gold Plated
G5	Gold Plated (Thickness 5μ")
G10	Gold Plated (Thickness 10μ")
G15	Gold Plated (Thickness 15μ")
G30	Gold Plated (Thickness 30μ")

Crimp Contacts, Stamped & Formed				
Part Number		AWG	Wire Range (mm ²)	Plating
Male	Female			
SP14M2F	SS14M2F	14	2.0-2.5	Gold Flash
SP14M2G5	SS14M2G5	14	2.0-2.5	Gold 5μ"
SP14M2G10	SS14M2G10	14	2.0-2.5	Gold 10μ"
SP14M2G15	SS14M2G15	14	2.0-2.5	Gold 15μ"
SP14M2G30	SS14M2G30	14	2.0-2.5	Gold 30μ"
SP16M2F	SS16M2F	18-16	0.75-1.5	Gold Flash
SP16M2G5	SS16M2G5	18-16	0.75-1.5	Gold 5μ"
SP16M2G10	SS16M2G10	18-16	0.75-1.5	Gold 10μ"
SP16M2G15	SS16M2G15	18-16	0.75-1.5	Gold 15μ"
SP16M2G30	SS16M2G30	18-16	0.75-1.5	Gold 30μ"
SP20M2F	SS20M2F	22-20	0.34-0.50	Gold Flash
SP20M2G5	SS20M2G5	22-20	0.34-0.50	Gold 5μ"
SP20M2G10	SS20M2G10	22-20	0.34-0.50	Gold 10μ"
SP20M2G15	SS20M2G15	22-20	0.34-0.50	Gold 15μ"
SP20M2G30	SS20M2G30	22-20	0.34-0.50	Gold 30μ"
SP24M2F	SS24M2F	26-24	0.14-0.25	Gold Flash
SP24M2G5	SS24M2G5	26-24	0.14-0.25	Gold 5μ"
SP24M2G10	SS24M2G10	26-24	0.14-0.25	Gold 10μ"
SP24M2G15	SS24M2G15	26-24	0.14-0.25	Gold 15μ"
SP24M2G30	SS24M2G30	26-24	0.14-0.25	Gold 30μ"

Tooling, Stamped & Formed	
Part Number	Description
QXRT16	Contact Extraction Tool, #16 (Ø 1.6) Contact
MFX-3954	Hand Tool, Stamped & Formed Contact, Size 16, 20-14AWG
MFX-3957	Crimp Die, Stamped & Formed Contact

Misc Tooling, All	
Part Number	Description
CA-4020-59	Sealing Plug, Size 16 & 20

Standard Quantity Order Options	
Machined	Stamped & Formed
Bulk Package, 500 Pieces	Reel, 3000 Pieces

ecomate® RM/RSSM/Aquarius™ - Contact Size 12 Options

Crimp Contacts, Machined				
Part Number		AWG	Wire Range (mm ²)	Plating
Male	Female			
N/A				

Crimp Contacts, Stamped & Formed				
Part Number		AWG	Wire Range (mm ²)	Plating
Male	Female			
SP12A1T	SS12A1T	14-12	2.5-3.5	Tin

Tooling, Machined	
Part Number	Description
N/A	N/A
N/A	N/A

Tooling, Stamped & Formed	
Part Number	Description
QXRT12S	Contact Extraction Tool, 2.5mm Contact
MFx-3962	Hand Tool, Stamped & Formed Contact, 2.5mm Contact

Plating Options, All	
Symbol	Plating
N/A	N/A

Misc Tooling, All	
Part Number	Description
CA-4012-59	Sealing Plug, Size 12

Standard Quantity Order Options	
Machined	Stamped & Formed
N/A	Reel, 1000 Pieces