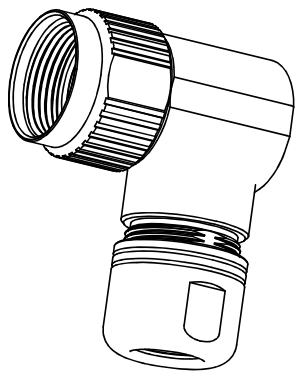
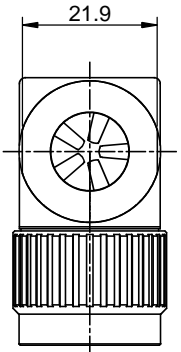
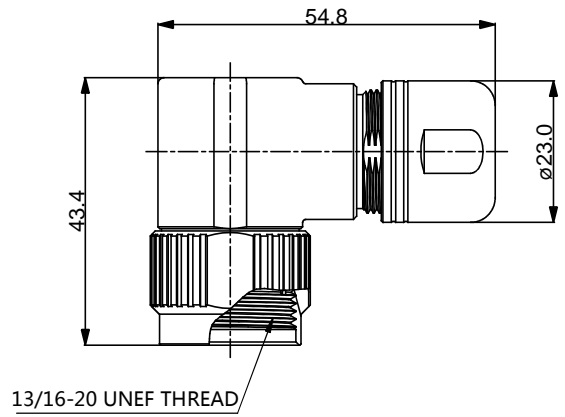


REVISIONS					
REV	ECO	DESCRIPTION	DATE	BY	APPR
B1	-	RELEASED DRAWING	JUN-26-2014	BEN	TOMMY



- NOTES : (UNLESS OTHERWISE SPECIFIED)**
- 1. MATERIAL :**
- 1.1. METAL NUT : AL ALLOY , NICKEL PLATED.
 - 1.2. GASKET : SILICONE RUBBER.
 - 1.3. METAL CLIP : STAINLESS STEEL.
 - 1.4. BACK SHELL : ZINC ALLOY, NICKEL PLATED.
 - 1.5. EMI SHIELDING RING : STAINLESS STEEL.
 - 1.6. O-RING : SILICONE RUBBER.
 - 1.7. GROMMET : RUBBER.
 - 1.8. CLAMP INSERT : THERMOPLASTIC UL94 V-0.
 - 1.9. END NUT : ZINC ALLOY , NICKEL PLATED.
2. ROHS COMPLIANT.
3. ALL DIMENSIONS ARE FOR REFERENCE USE ONLY.

P/N	SHIELDING RING	CABLE RANGE
RT0B-14CG-C1	WITHOUT	Ø6-Ø10.5mm
RT0B-14CG-C2	WITHOUT	Ø8.0-Ø12.5mm
RT0B-14CG-S1	WITH	Ø6-Ø10.5mm
RT0B-14CG-S2	WITH	Ø8.0-Ø12.5mm

QUANTITY	PART NUMBER	DESCRIPTION	ITEM
MATERIALS LIST			
<small>UNLESS OTHERWISE SPECIFIED</small> 1) All dimensions are in metric(mm). 2) Tolerances are as follows: 1 PL DEC ±0.30 Fractions: ±1/64 2 PL DEC ±0.15 Angles ±1° 3 PL DEC ±0.08 3) Note reference =		SIGNATURES: DRAWN: BEN, JUN-26-2014 CHECKED: ENGINEER: APPROVAL:	<div style="text-align: center;">Amphenol</div> Sine Systems - www.amphenol-sine.com 44724 Morley Drive Clinton Township, MI 48036
MATERIAL SPECIFICATIONS: THIS DRAWING IS SUPPLIED FOR INFORMATION ONLY. DESIGN FEATURES, SPECIFICATIONS AND PERFORMANCE DATA SHOWN HEREON ARE THE PROPERTY OF THE AMPHENOL CORPORATION. NO RIGHTS OF REPRODUCTION ARE IMPLIED. ALL DIMENSIONS ARE SUBJECT TO NORMAL MANUFACTURING VARIATIONS.		CUSTOMER: ECO-MATE, ANGLE 90°, CORD GRIP, SIZE 14	SIZE: B C- TYPE: NONE DWG NO: RT0B-14CG-xx REVISION: B1
NEXT ASSY:		SCALE: NONE	SHEET 1 OF 1

TITLE: ECO-MATE ANGLE 90° CORD GRIP SIZE 14
 DWG NO: RT0B-14CG-xx
 REV: B1
 SH: 1
 OF: 1