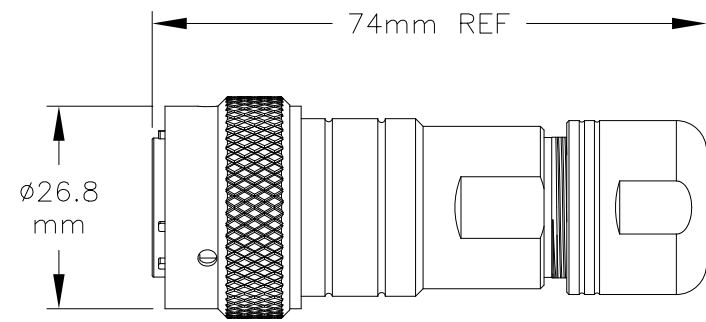
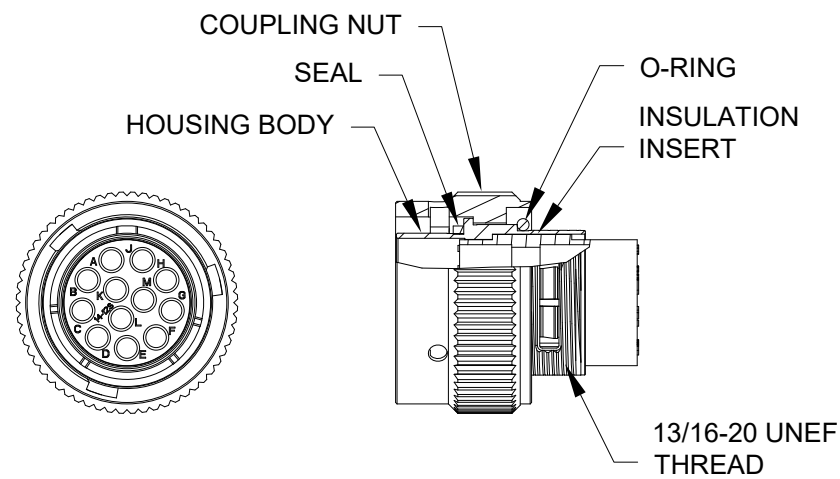


| REVISIONS | | | | | |
|-----------|-----|-----------------------------------|-----------|-----|------|
| REV | ECO | DESCRIPTION | DATE | BY | APPR |
| 01 | - | RELEASE NEW DWG FORMAT | - | - | - |
| 02 | - | ADDED IP69K RATING | 4/21/2020 | RO | DR |
| 03 | - | CHANGED VOLTAGE FROM 250V TO 500V | 21JAN22 | MRF | DR |



ASSEMBLED VIEW



NOTES:

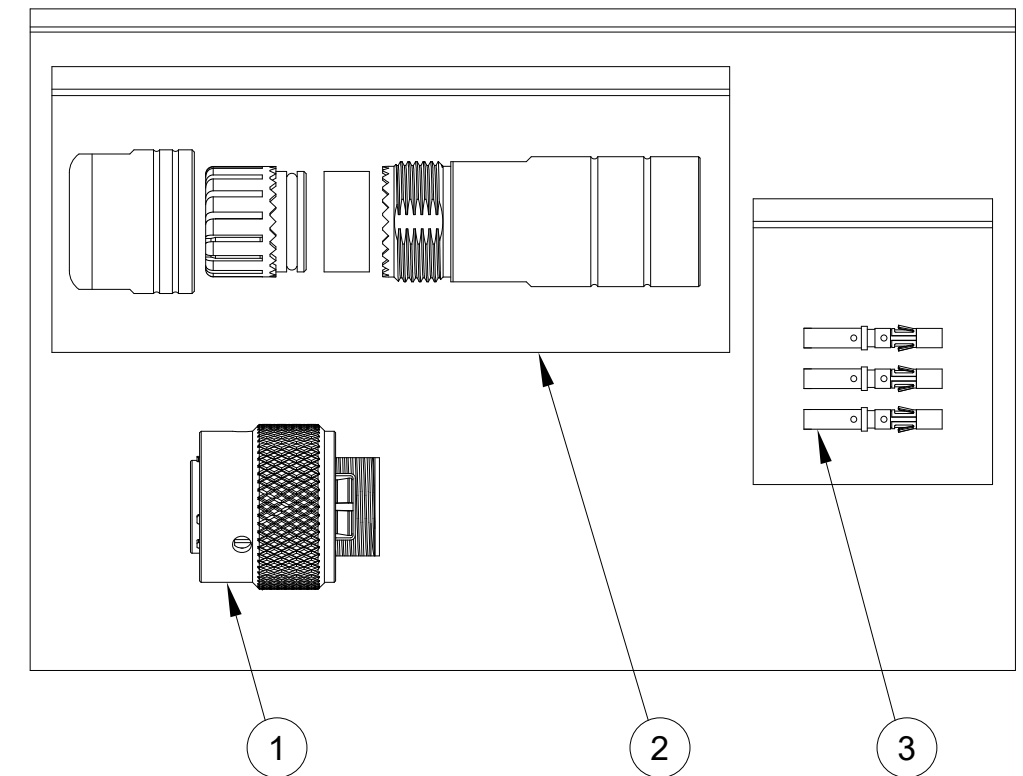
- 1) CORD GRIP RANGE: 6.5mm TO 10mm
- 2) CONTACT BARREL RANGE: 16AWG TO 18AWG
- 3) RECOMMENDED CRIMP TOOLS:
HAND CRIMPER: MFX-3959
PNEUMATIC CRIMPER: MFX-3960
- 4) EXTRACTION TOOL: QXRT16
- 5) MATERIALS:
HOUSING BODY: ZINC DIE CAST, NICKEL PLATED
COUPLING NUT: ALUMINUM ALLOY, NICKEL PLATED
WAVE SPRING: STAINLESS STEEL
INSULATION INSERT: PA66, UL94/V-0
CONTACT: BRASS, GOLD FLASH PLATED
SEAL AND O-RING:
CONNECTOR: SILICONE
CORD GRIP: NBR (NITRILE BUTADIENE RUBBER)
- 6) ELECTRICAL DATA:
a) CURRENT (MAX): 13A
b) VOLTAGE (MAX): 500VAC
c) INSULATION RESISTANCE (MIN): 5000M OHMS
d) TEST VOLTAGE (BETWEEN CONTACTS): 3050V

7) TECHNICAL DATA:

- a) TEMPERATURE RANGE: -40°C TO 105°C
- b) PROTECTION: IP67 (IP69K WHEN IN MATED CONDITION)
- c) MATING CYCLES: >500
- d) VIBRATION RESISTANCE PER MIL-STD-202 METHOD 204
- e) THERMAL SHOCK PER MIL-STD-202 METHOD 207
- f) 48 HOUR SALT SPRAY PER MIL-STD-202 METHOD 101

8) RoHS COMPLIANT

ILLUSTRATION: COMPLETE KIT



| QUANTITY | PART NUMBER | DESCRIPTION | ITEM |
|----------|-----------------|--------------------------|------|
| 12 | MS16M23F | CONTACT, SOCKET, SIZE 16 | 3 |
| 1 | RT0L-14CG-NS1 | CORD GRIP | 2 |
| 1 | RT061412SNH03SS | CONNECTOR | 1 |

MATERIALS LIST

| | | | | | |
|---|------------|---|----------------------|---|-------------------------------------|
| UNLESS OTHERWISE SPECIFIED 1) All dimensions are in metric(mm). 2) Tolerances are as follows: 1 PL DEC ±0.30 2 PL DEC ±0.15 3 PL DEC ±0.08 3) Note reference = Δ | | SIGNATURES DRAWN: MRF CHECKED: ENGINEER: APPROVAL: | DATE 20AUG18 | <h1>Amphenol</h1> <p>Sine Systems - www.amphenol-sine.com 44724 Morley Drive Clinton Township, MI 48036</p> | |
| MATERIAL SPECIFICATIONS: | CUSTOMER: | <p>THIS DRAWING IS SUPPLIED FOR INFORMATION ONLY. DESIGN FEATURES, SPECIFICATIONS AND PERFORMANCE DATA SHOWN HEREON ARE THE PROPERTY OF THE AMPHENOL CORPORATION. NO RIGHTS OF REPRODUCTION ARE IMPLIED. ALL DIMENSIONS ARE SUBJECT TO NORMAL MANUFACTURING VARIATIONS.</p> | | | |
| PROCESS SPECIFICATIONS: | NEXT ASSY: | | SIZE B | TYPE C- | DWG NO. RT061412SNH03SS-K |
| | | | SCALE NONE | REVISION 03 | SHEET 1 OF 1 |

TITLE:

KIT, ECO-MATE RM

DWG NO:

REV: 01

SH: 1

DF: 1

ecomate® RM/RSSM/Aquarius™ - Contact Size 16 Options

| Machined, Crimp Contacts | | | | |
|--------------------------|------------|--------------------|-------------------------------|------------|
| Part Number | | Contact Size (AWG) | Wire Range (mm ²) | Plating |
| Male | Female | | | |
| MP14M23F | MS14M23F | 14AWG | 2.0-2.5mm ² | Gold Flash |
| MP14M23G5 | MS14M23G5 | 14AWG | 2.0-2.5mm ² | Gold 5μ" |
| MP14M23G10 | MS14M23G10 | 14AWG | 2.0-2.5mm ² | Gold 10μ" |
| MP14M23G15 | MS14M23G15 | 14AWG | 2.0-2.5mm ² | Gold 15μ" |
| MP14M23G30 | MS14M23G30 | 14AWG | 2.0-2.5mm ² | Gold 30μ" |
| MP16M23F | MS16M23F | 18-16AWG | 0.75-1.5mm ² | Gold Flash |
| MP16M23G5 | MS16M23G5 | 18-16AWG | 0.75-1.5mm ² | Gold 5μ" |
| MP16M23G10 | MS16M23G10 | 18-16AWG | 0.75-1.5mm ² | Gold 10μ" |
| MP16M23G15 | MS16M23G15 | 18-16AWG | 0.75-1.5mm ² | Gold 15μ" |
| MP16M23G30 | MS16M23G30 | 18-16AWG | 0.75-1.5mm ² | Gold 30μ" |
| MP20M23F | MS20M23F | 22-20AWG | 0.34-0.50mm ² | Gold Flash |
| MP20M23G5 | MS20M23G5 | 22-20AWG | 0.34-0.50mm ² | Gold 5μ" |
| MP20M23G10 | MS20M23G10 | 22-20AWG | 0.34-0.50mm ² | Gold 10μ" |
| MP20M23G15 | MS20M23G15 | 22-20AWG | 0.34-0.50mm ² | Gold 15μ" |
| MP20M23G30 | MS20M23G30 | 22-20AWG | 0.34-0.50mm ² | Gold 30μ" |
| MP24M23F | MS24M23F | 26-24AWG | 0.14-0.25mm ² | Gold Flash |
| MP24M23G5 | MS24M23G5 | 26-24AWG | 0.14-0.25mm ² | Gold 5μ" |
| MP24M23G10 | MS24M23G10 | 26-24AWG | 0.14-0.25mm ² | Gold 10μ" |
| MP24M23G15 | MS24M23G15 | 26-24AWG | 0.14-0.25mm ² | Gold 15μ" |
| MP24M23G30 | MS24M23G30 | 26-24AWG | 0.14-0.25mm ² | Gold 30μ" |

| Stamped & Formed, Crimp Contacts | | | | |
|----------------------------------|-----------|--------------------|-------------------------------|------------|
| Part Number | | Contact Size (AWG) | Wire Range (mm ²) | Plating |
| Male | Female | | | |
| SP14M2F | SS14M2F | 14AWG | 2.0-2.5mm ² | Gold Flash |
| SP14M2G5 | SS14M2G5 | 14AWG | 2.0-2.5mm ² | Gold 5μ" |
| SP14M2G10 | SS14M2G10 | 14AWG | 2.0-2.5mm ² | Gold 10μ" |
| SP14M2G15 | SS14M2G15 | 14AWG | 2.0-2.5mm ² | Gold 15μ" |
| SP14M2G30 | SS14M2G30 | 14AWG | 2.0-2.5mm ² | Gold 30μ" |
| SP16M2F | SS16M2F | 18-16AWG | 0.75-1.5mm ² | Gold Flash |
| SP16M2G5 | SS16M2G5 | 18-16AWG | 0.75-1.5mm ² | Gold 5μ" |
| SP16M2G10 | SS16M2G10 | 18-16AWG | 0.75-1.5mm ² | Gold 10μ" |
| SP16M2G15 | SS16M2G15 | 18-16AWG | 0.75-1.5mm ² | Gold 15μ" |
| SP16M2G30 | SS16M2G30 | 18-16AWG | 0.75-1.5mm ² | Gold 30μ" |
| SP20M2F | SS20M2F | 22-20AWG | 0.34-0.50mm ² | Gold Flash |
| SP20M2G5 | SS20M2G5 | 22-20AWG | 0.34-0.50mm ² | Gold 5μ" |
| SP20M2G10 | SS20M2G10 | 22-20AWG | 0.34-0.50mm ² | Gold 10μ" |
| SP20M2G15 | SS20M2G15 | 22-20AWG | 0.34-0.50mm ² | Gold 15μ" |
| SP20M2G30 | SS20M2G30 | 22-20AWG | 0.34-0.50mm ² | Gold 30μ" |
| SP24M2F | SS24M2F | 26-24AWG | 0.14-0.25mm ² | Gold Flash |
| SP24M2G5 | SS24M2G5 | 26-24AWG | 0.14-0.25mm ² | Gold 5μ" |
| SP24M2G10 | SS24M2G10 | 26-24AWG | 0.14-0.25mm ² | Gold 10μ" |
| SP24M2G15 | SS24M2G15 | 26-24AWG | 0.14-0.25mm ² | Gold 15μ" |
| SP24M2G30 | SS24M2G30 | 26-24AWG | 0.14-0.25mm ² | Gold 30μ" |

| Machined, Tooling | |
|-------------------|--|
| Part Number | Description |
| QXRT16 | Contact Extraction Tool, #16 (Ø 1.6) Contact |
| MFY-3959 | Hand Crimp Tool for Machined Contacts |
| MFY-3960 | Pneumatic Crimp Tool for Machined Contact |

| Stamped & Formed, Tooling | |
|---------------------------|--|
| Part Number | Description |
| QXRT16 | Contact Extraction Tool, #16 (Ø 1.6) Contact |
| MFY-3954 | Hand Tool, Stamped & Formed Contact, Size 16, 20-14AWG |
| MFY-3957 | Crimp Die, Stamped & Formed Contact |

| Plating Options, All | |
|----------------------|--|
| Symbol | Plating |
| T | Tin Plated (for Stamped & Formed Contacts) |
| S | Silver Plated 5Um (for Machined Contacts) |
| F | Gold Plated |
| G5 | Gold Plated (Thickness 5μ") |
| G10 | Gold Plated (Thickness 10μ") |
| G15 | Gold Plated (Thickness 15μ") |
| G30 | Gold Plated (Thickness 30μ") |

| Misc Tooling, All | |
|-------------------|----------------------------|
| Part Number | Description |
| CA-4020-59 | Sealing Plug, Size 16 & 20 |

| Standard Quantity Order Options | |
|---------------------------------|--------------------------|
| Machined | Bulk Package, 500 Pieces |
| Stamped & Formed | Reel, 3000 Pieces |