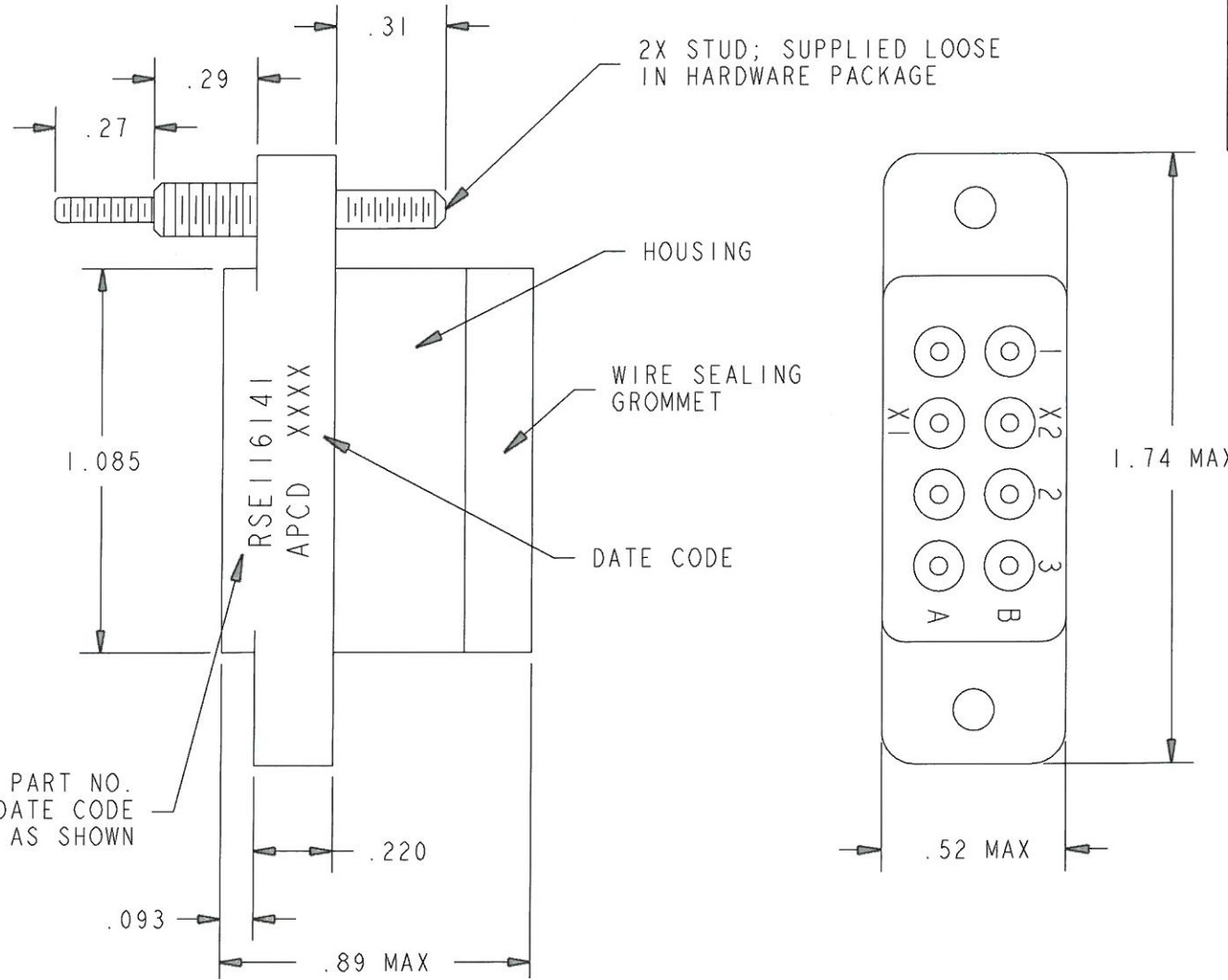
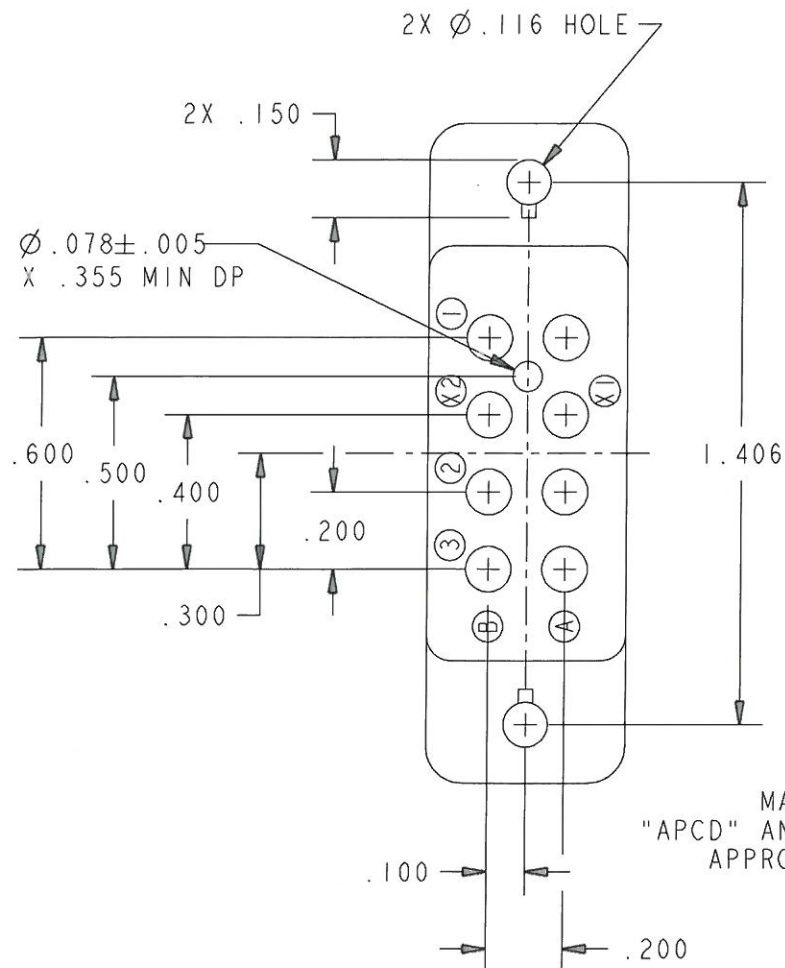


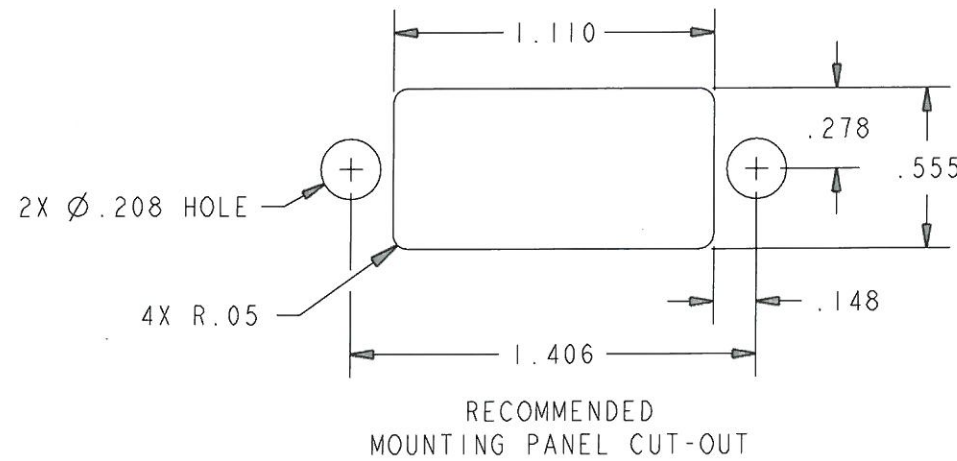
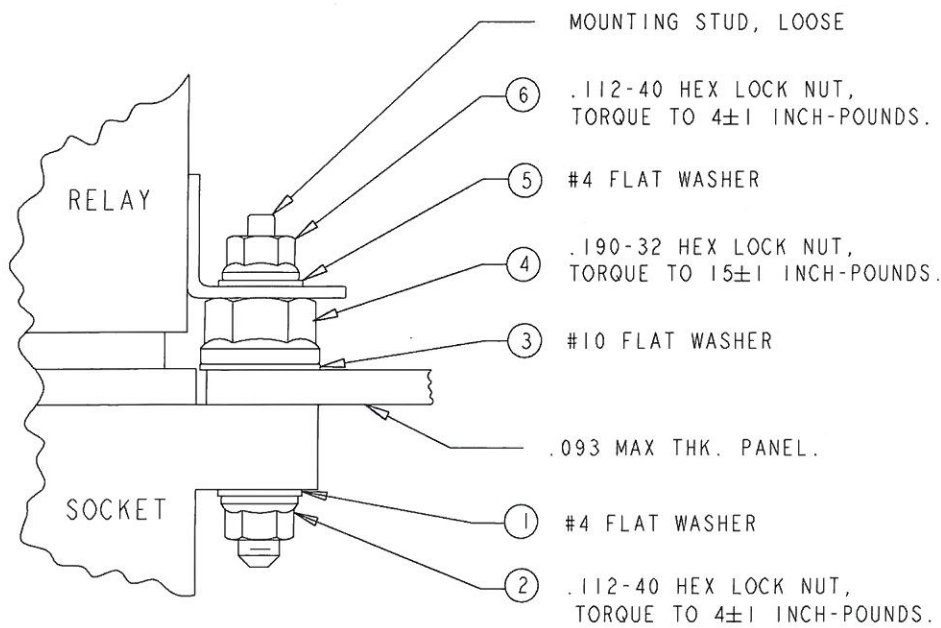
RSE116141

REV	ECN	DESCRIPTION	APP'D
R	6171	CHNG -2901 TO -2951 FLAT WASHER	JT 1-18-08
S	6198	CORRECT HDWR BOM	JT 3-25-08
T	6552	CORRECT STUD; 200001701 TO -7901	JT 7-6-10
U	6792	CHNG HDWR BOM	MD 2/6/12



- NOTES:
- CONFORMS TO PERFORMANCE REQUIREMENTS OF MIL-DTL-12883.
 - MATERIALS:
 - A. HOUSING - POLYETHERIMIDE, COLOR: GREEN.
 - B. GROMMET - SILICONE ELASTOMER, COLOR: RED.
 - SOCKET CONTACTS CONFORM TO PERFORMANCE REQUIREMENTS OF SAE-AS39029, GOLD OVER NICKEL PLATE.
 - COMPLETE MOUNTING HARDWARE SUPPLIED.
 - SOCKET CONTACTS SUPPLIED: (8) SZ 16/16, P/N CNS126900.
 - OPERATING TEMPERATURE: +125°C/-65°C CONTINUOUS.
 - CONTACT INSTALLATION TOOLS:
 - CRIMP TOOL: M22520/1-01
 - POSITIONER: M22520/1-02
 - INSERTION/REMOVAL: M81969/14-03.

MARK PART NO. "APCD" AND DATE CODE APPROX. AS SHOWN



BILL OF MATERIAL		
P/N	DESCRIPTION	QTY
200007901	MTG STUD PSVTD #501	2
20000401	FLT WASHER #4	4
200003801	STL HEX NUT SLF LKG #4-40	4
200002951	FLT WSHR #10	2
200002501	HEX NUT SLF LKG 10-32 MS21042	2
CNS126900	M39029/92-533 CONTACT SZ 16/16	8
005111400	3.5" DRAM UNCAPPED VIAL/CAP	1

MOUNTING HARDWARE
INSTALLATION SEQUENCE BY ITEM NUMBER
TYP 2 PLACES

DIMENSIONS ANSI Y14.5M UNITS: INCHES ACAD FILE	PROJECTION 	TITLE Amphenol PCD SPECIFICATION DRAWING ENGR A. PATRIE 9/19/97 CHKD APPD <i>M. D. B.</i> 2/6/12	RELAY SOCKET 8 POS - SIZE 16/16	
ORIGINAL 	THIS DOCUMENT CONTAINS PROPRIETARY INFORMATION WHICH IS THE CONFIDENTIAL PROPERTY OF APCD, INC. BEVERLY, MA, USA	SIZE B	DWG NO. RSE116141	REV U
		CODE: 58982	SCALE: 2:1	SHEET 1 OF 1

RSE116141

RSE116141