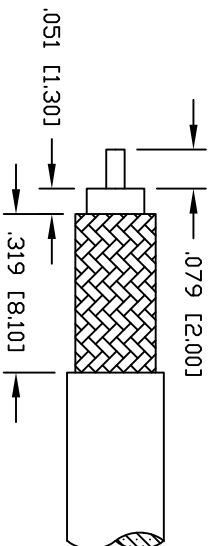
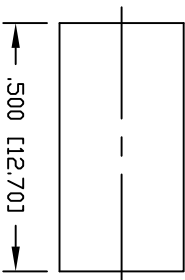
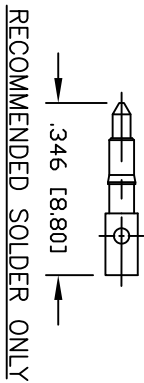
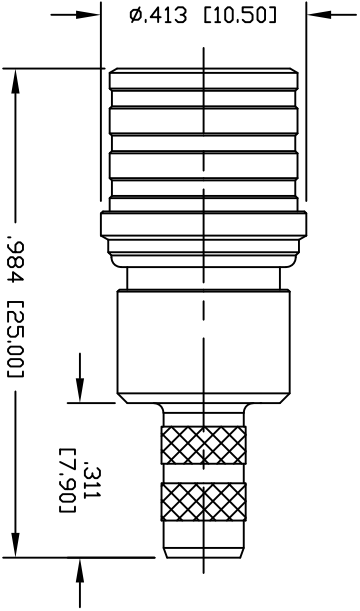


| | | | | |
|----------|---|--------------------|----------|----------|
| PART NO. | | ROA-5000-C1 | | |
| REV | DESCRIPTION | DWN | DATE | APPROVED |
| A | UPGRADED CONNECTOR DESIGN, DWG FORMAT & SPECS | CZ | 12/21/20 | JDMc |



SPECIFICATIONS:

IMPEDANCE: 50 Ohms
 FREQUENCY RANGE: 0-6 GHz
 INSULATION RESISTANCE: 5k MΩ min.
 TEMPERATURE RANGE: -65°C TO 165°C
 FOR RG-55, 55A, 55B, 142, 142A, 142B, 223 & 400/U,
 ALPHA 9055, 9055B, 9223, BELDEN 8219, 83242 & 84142 CABLES

| # | DESCRIPTION | QTY | MATERIAL | FINISH |
|---|--------------|-----|-----------------|---------|
| 6 | COUPLING NUT | 1 | BRASS | CUSnZn |
| 5 | FERRULE | 1 | BRASS | CUSnZn |
| 4 | GROUND RING | 1 | PHOSPHOR BRONZE | CUSnZn |
| 3 | PIN | 1 | BRASS | GOLD |
| 2 | INSULATOR | 1 | PTFE | NATURAL |
| 1 | BODY | 1 | BRASS | CUSnZn |

| | | | |
|---|------------------|-------------------------------|------------------|
| CUSTOMER OUTLINE DRAWING ALL DIMENSIONS ARE REFERENCE ONLY UNLESS OTHERWISE SPECIFIED: DIMENSIONS ARE IN INCHES AND [MILLIMETERS] | | DRAWN C. ZUNIGA CHECKED | DATE 12/21/20 |
| ORG C. ZUNIGA | DATE 03/09/04 | | |

ROHS COMPLIANT

PROPRIETARY AND CONFIDENTIAL
 THIS DRAWING CONTAINS
 INFORMATION PROPRIETARY TO
 RF INDUSTRIES. ANY
 UNAUTHORIZED USE OF THIS
 DRAWING IS EXPRESSLY
 PROHIBITED WITHOUT WRITTEN
 PERMISSION FROM RF
 INDUSTRIES. ANY VIOLATION IS
 PUNISHABLE UNDER U.S.
 COPYRIGHT LAWS.

RF Industries
 DIVISION OF RF INDUSTRIES, LTD. (858) 549-5340
 7610 MIRAMAR RD.
 SAN DIEGO, CA 92126
 (858) 549-5340
 (858) 549-5345 FAX

QMA CRIMP PLUG

DWG # **ROA-5000-C1**

| | | | | | |
|-------------|-----------|-------|--------|--------|----------|
| CABLE GROUP | CONTROL # | SCALE | FORMAT | SHEET | REVISION |
| C1 | 000000 | NTS | A | 1 OF 1 | A |