

RH-SK | Folding handles with recessed tray

Aluminium



- 1
- 2
- 3
- 4
- 5
- 6
- 7
- 8
- 9
- 10
- 11
- 12
- 13
- 14
- 15
- 16
- 17
- 18

MATERIAL

Aluminium, enamelled semi-matte finish.

COLOUR

RAL 7035 light grey or RAL 9005 black.

STANDARD EXECUTIONS

Pass-through holes for M4 countersunk-head screws.

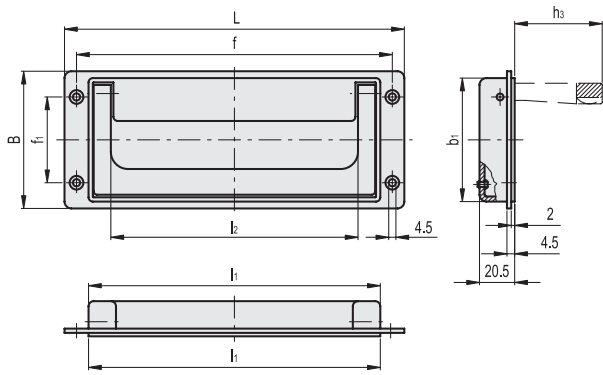
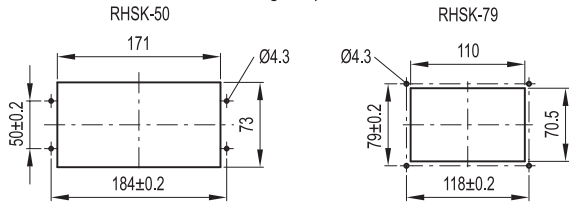
- **RH-SK-R**: with return spring from work to rest position.
- **RH-SK-S**: with click device to stop the handle in both positions.

ERGONOMY AND DESIGN

This handle is shaped inside in order to make a more comfortable grip.



Drilling templates



Conversion Table	
1 mm = 0.039 inch	
L	
mm	inch
130	5.12
200	7.87

C3
 RAL7035

C9
 RAL9005

METRIC

RH-SK-R

Code	f	L	B	fi	b1	h3	l1	l2	⚖
RH-SK-50.R184.7035	184	200	80	50	72	51	170	144	280
RH-SK-50.R184.9005	184	200	80	50	72	51	170	144	280
RH-SK-79.R118.7035	118	130	91	79	69	48	109	83	212
RH-SK-79.R118.9005	118	130	91	79	69	48	109	83	212

RH-SK-S

Code	f	L	B	fi	b1	h3	l1	l2	⚖
RH-SK-50.S184.7035	184	200	80	50	72	51	170	144	283
RH-SK-50.S184.9005	184	200	80	50	72	51	170	144	283
RH-SK-79.S118.7035	118	130	91	79	69	48	109	83	212
RH-SK-79.S118.9005	118	130	91	79	69	48	109	83	212

Lift & Pull handles