

- 1
- 2
- 3
- 4**
- 5
- 6
- 7
- 8
- 9
- 10
- 11
- 12
- 13
- 14
- 15
- 16
- 17
- 18

**MATERIAL**

Aluminium, epoxy resin coating, glossy finish.

**COLOUR**

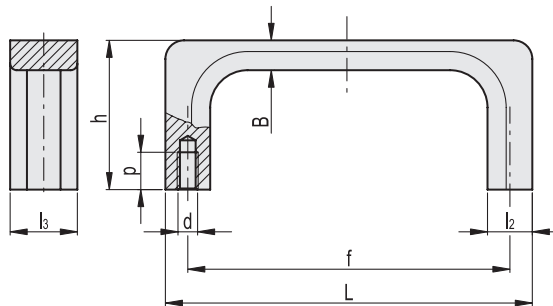
RAL 9002 white.

**STANDARD EXECUTION**

Threaded blind holes.

**FEATURES AND APPLICATIONS**

This handle, of white colour, is particularly suitable for applications on medical and hospital equipment and on food processing machines whose parts, for hygienic reasons, must be frequently cleaned. Its solid shape without cavities prevents unhealthy residues from depositing. Its glossy surface allows a perfect cleaning.



Conversion Table			
1 mm = 0.039 inch			
f		L	
mm	inch	mm	inch
120	4.72	132	5.20

Code	f	d	p	L	B	h	l2	l3	⚖️
RHMG-02.120.9002	120	M6	12	132	8	40	12	18	83