

## RH-AR

## Handles

Rectangular cross section, aluminium

METRIC



### HANDLE SHANKS

Anodised aluminium in natural colour, matte finish.  
Threaded blind holes.

### BAR

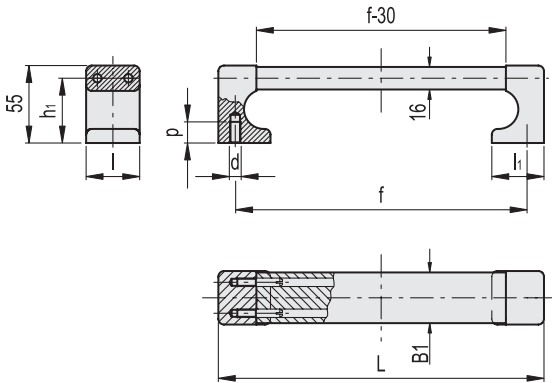
Anodised aluminium profile in natural colour, matte finish.

### FEATURES AND APPLICATIONS

RH-AR series handles are generally used on machines and devices; their design is characterised by a very smooth surface without protruberances.

### SPECIAL EXECUTIONS ON REQUEST

- Different lengths.
- Profiles and handle shanks in black or titanium colour.



METRIC

Code	f	L	d	p	B1	h1	l	li	△△
RHAR-36.300.N01	300	324	M8	15	36	46	38	37	605
RHAR-36.500.N01	500	524	M8	15	36	46	38	37	850

Conversion Table			
1 mm = 0.039 inch			
L			
mm	inch	mm	inch
324	12.75	530	20.87
330	12.99	730	28.74
524	20.63	100	3.94

## RH-HV

## Tubular handles

Rectangular cross section, aluminium

METRIC



### TUBE AND HANDLE SHANKS

Aluminium, epoxy resin coating, semi-matte finish.

### L-SHAPED CONNECTION ELEMENTS

Die-cast aluminium, epoxy resin coating, black colour, semi-matte finish.

### STANDARD EXECUTIONS

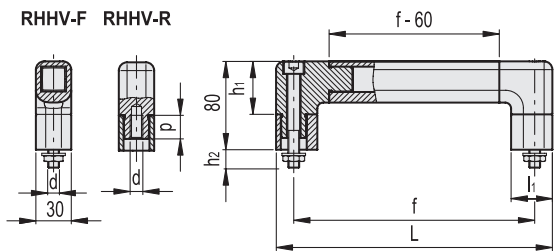
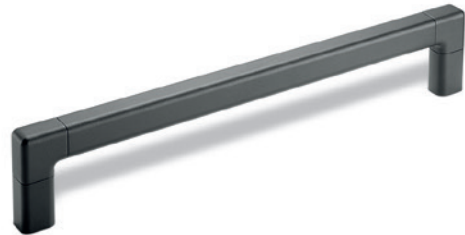
- **RHHV-F**: front mounting, pass-through holes for stainless steel cylindrical-head screws with hexagon socket and zinc-plated self-locking nuts, included in the supply.
- **RHHV-R**: back mounting, threaded blind holes.

### FEATURES AND APPLICATIONS

The RH-HV series tube length and handle shanks height, can be used in many different applications.

### SPECIAL EXECUTIONS ON REQUEST

Different lengths and heights.



METRIC

### RHHV-F

Code	f	L	d	h2	h1	li	△△
RHHV-F300.80.80.54	300	330	M10	20	45	35	934
RHHV-F500.80.80.54	500	530	M10	20	45	35	1200
RHHV-F700.80.80.54	700	730	M10	20	45	35	1470

### RHHV-R

Code	f	L	d	p	h1	li	△△
RHHV-R300.80.80.54	300	330	M10	20	45	35	745
RHHV-R500.80.80.54	500	530	M10	20	45	35	1015
RHHV-R700.80.80.54	700	730	M10	20	45	35	1283

