

**MATERIAL**

Glass-fibre reinforced polyamide based (PA) technopolymer, grey-black colour, matte finish.

**MICROSWITCH WITH BUTTON**

The device is made up of a normally open contact (NO) and a normally closed contact (NC).

Standard push-button (1) or protruding push-button (2).

**STANDARD EXECUTIONS**

Rear axial output (S), nickel-plated steel 8 pole connector:

- RHFG11-3SG: push button with built-in green led (G)
- RHFG11-3SR: push button with built-in red led (R)
- RHFG11-4SG: protruding push button with built-in green led (G).
- RHFG11-4SR: protruding push button with built-in red led (R).

Rear output (K), 8 pole cable, length 5 m:

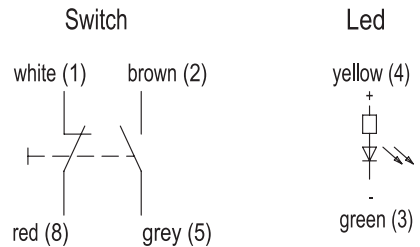
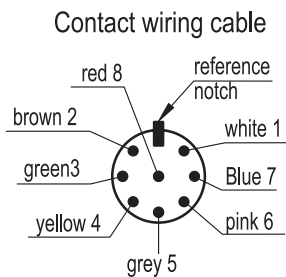
- RHFG11-3KG: push button with built-in green led (G).
- RHFG11-3KR: push button with built-in red led (R).
- RHFG11-4KG: protruding push button with built-in green led (G).
- RHFG11-4KR: protruding push button with built-in red led (R).

**FEATURES AND APPLICATIONS**

These handles with RHFG11 switch are typically assembled on machine doors or protections. By pressing the push button, the operator requests access, via external contact (PLC), to a protected area, shown by the red led turned by the green led turned off. The access to the protected areas will be possible when the red led is turned off or the green led is turned on.

**ACCESSORIES ON REQUEST**

RHFZ-KS.G08.10: cable with 8 pole M12x1 connector length 10 m.



Electrical features	
Led light voltage	24 Vdc
Voltage / button operating current	24 V AC/DC / 1 A

Standard push-button (1)



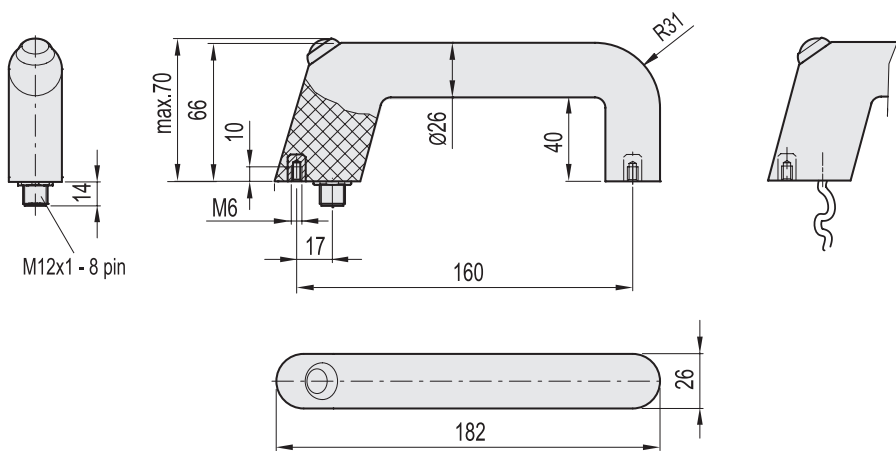
Protruding push-button (2)



Rear axial output (S),  
nickel-plated steel 8 pole connector



Rear output (K),  
8 pole cable, length 5 m



METRIC

Code	Δ
RHFG11-3SG.160.84	225
RHFG11-3SR.160.84	225
RHFG11-4SG.160.84	225
RHFG11-4SR.160.84	225
RHFG11-3KG.160.84	460
RHFG11-3KR.160.84	460
RHFG11-4KG.160.84	460
RHFG11-4KR.160.84	460

Drilling template

