

**MATERIAL**

Anodised aluminium oval cross section bar, sandblasted and satin finish.

**STANDARD EXECUTIONS**

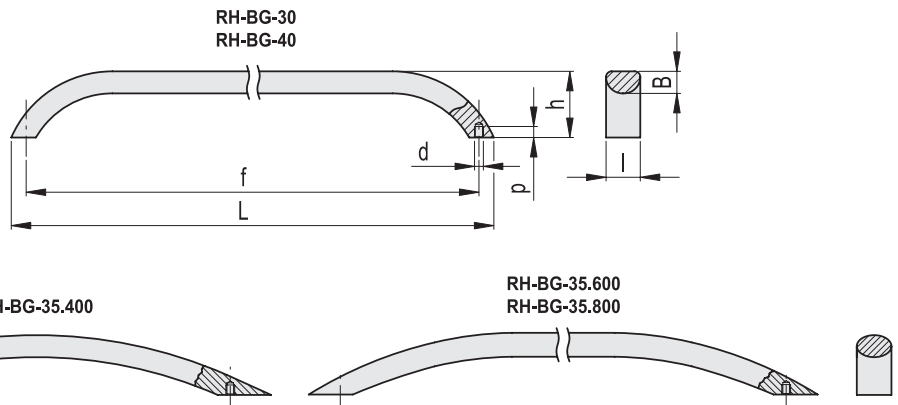
- Threaded blind holes.  
 - **RHBG-11:** natural colour.  
 - **RHBG-14:** black colour.

**SPECIAL EXECUTIONS ON REQUEST**

- Different lengths.  
 - Surfaces with different finishes.



Conversion Table			
1 mm = 0.039 inch			
f		L	
mm	inch	mm	inch
350	13.78	377	14.84
400	15.75	427	16.81
450	17.72	477	18.78
500	19.68	480	18.90
600	23.62	527	20.75
700	27.56	540	21.26
800	31.50	640	25.20
		680	27.77
		740	29.13
		840	33.07
		880	34.64



METRIC

Code	Code	f	L	d	p	l	B	h	⚖
RHBG-30.350.11	RHBG-30.350.14	350	377	M8	10	31	20	60	525
RHBG-30.400.11	RHBG-30.400.14	400	427	M8	10	31	20	60	525
RHBG-30.450.11	RHBG-30.450.14	450	477	M8	10	31	20	60	594
RHBG-30.500.11	RHBG-30.500.14	500	527	M8	10	31	20	60	594
RHBG-35.400.11	RHBG-35.400.14	400	480	M8	10	35	25	62	780
RHBG-35.600.11	RHBG-35.600.14	600	680	M8	10	35	25	62	1164
RHBG-35.800.11	RHBG-35.800.14	800	880	M8	10	35	25	62	1533
RHBG-40.500.11	RHBG-40.500.14	500	540	M10	15	41	30	80	1512
RHBG-40.600.11	RHBG-40.600.14	600	640	M10	15	41	30	80	1512
RHBG-40.700.11	RHBG-40.700.14	700	740	M10	15	41	30	80	1782
RHBG-40.800.11	RHBG-40.800.14	800	840	M10	15	41	30	80	1782