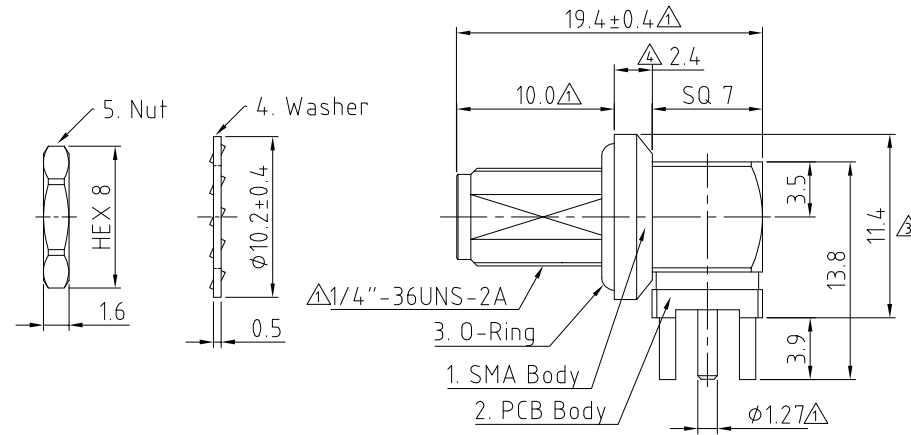


RFPC-SMA22-FN: Stainless Steel SMA Right Angle Bulkhead Jack With O-ring, PCB Connector, Rated to IP68/69K, 6GHz

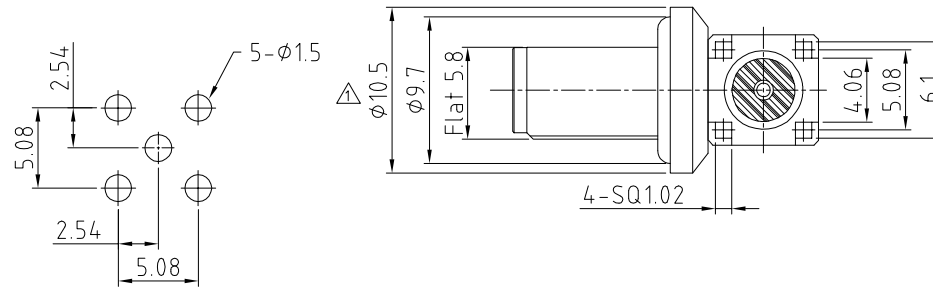
Material and Plating:

- 1. SMA Body: Stainless Steel, Passivated Δ
- Insulator A: Teflon
- Insulator B: Teflon
- Washer: Brass, Nickel Plated Δ
- Gasket A: Silicone
- Gasket B: Silicone
- Pin: Phosphor Bronze, Gold Plated
- 2. PCB Body: Brass, Gold Plated
- Insulator C: Teflon
- 3. O-Ring: See P/N Options
- 4. Lock Washer: Stainless Steel, Passivated Δ
- 5. Nut: Stainless Steel, Passivated Δ



Environmental:

- A. Tested to:
 - i. IP6x - Dust tight - no particle ingress.
 - ii. IPx8 Waterproof for 48 hour at 1 meter underwater.
 - iii. IPx9K Water spray, 14-16L per minute, at 8,000 ~ 10,000 kPa, at 100-150mm distance for 30 seconds. underwater



Recommended PCB Hole Layout

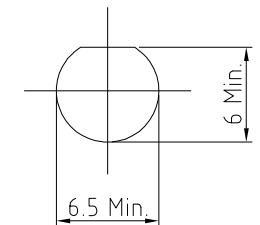
Notes:

- 1. Working Frequency Range: DC-6GHz.
- 2. Operating Temperature : -65°C to +165°C.
- 3. Please use the recommended torque forces for stainless connectors. This is published on Gradconn.com resources page.
- 4. Impedance: 50 Ohm.

HOW TO ORDER
RFPC - SMA22 - FN - X - X

WASHER AND NUT OPTIONS:
BLANK = SEPARATELY PACKED (STANDARD)
A = ALL ASSEMBLED WITH CONNECTOR

O-RING MATERIAL OPTIONS:
E = EPDM, COLOR: BLACK
S = SILICONE, COLOR: RED



Recommended Mounting Hole
 Δ (Recommended Maximum Panel Thickness: 2.0mm)

REV. DATE & DRN
11 18/03/23 - NYW RELEASE
12 23/02/23 - NYW ADD DIMENSIONS
13 23/02/23 - NYW AMEND HEX DIAMETER
14 21/02/23 - NYW AMEND PLATING MATERIAL
15 10/01/23 - NYW ADD NOTE 3
16 13/01/23 - NYW AMEND TYPOL
17 01/02/23 - NYW ADD DIMENSION
18 23/02/23 - NYW AMEND PART NUMBERS
19 14/03/23 - NYW AMEND IP RATING
20 06/09/23 - NYW AMEND IP RATING
CORRECT DIMENSION MARKING

Scale: NTS	THIRD ANGLE	Unstated Tolerances: X ±0.20 XX ±0.20 XXX ±0.20 ANGLES ±2°
Drawn: NYW		
App'd: XXX	Title SMA PCB Connector	
Date: 6 SEP. '23	Revision: 2.0	Unit: mm

NAUTILUS
IP67/68 Rated Cables

GRADCONN
www.gradconn.com

Type: RFPC-SMA22-FN
RFPC-SMA22-FN
Drawing Number:
Sheet 1 of 1
Drawing © E and O E