

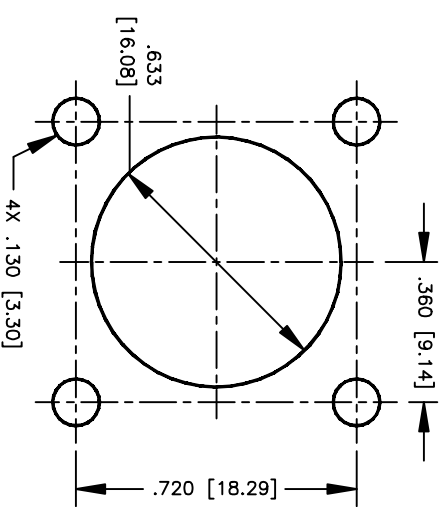
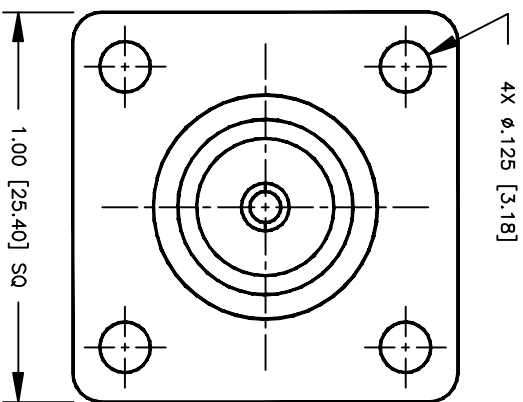
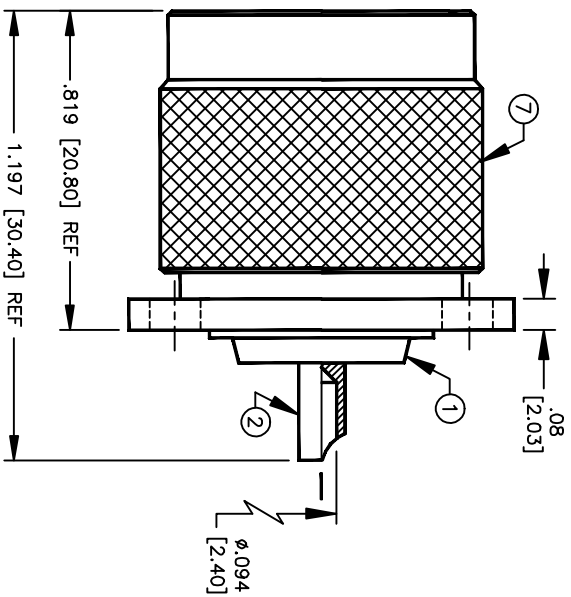
# SPECIFICATION CONTROL DRAWING

THIS DRAWING CONTAINS INFORMATION PROPRIETARY TO RF INDUSTRIES, LTD. ANY UNAUTHORIZED USE OF THIS DRAWING IS EXPRESSLY PROHIBITED. ANY VIOLATION IS PUNISHABLE UNDER U.S. COPYRIGHT LAWS.

ALL DIMENSIONS ARE REFERENCE ONLY

008974

REV	DESCRIPTION	DWN	DATE	APPROVED
A	ENGINEERING RELEASE	CZS	2/13/98	R. RICE



## SPECIFICATIONS:

IMPEDANCE: 50 OHMS  
 WORKING VOLTAGE: 1000 VRMS @ SEA LEVEL  
 FREQUENCY RANGE: 0-11 GHz

ITEM	DESCRIPTION	QTY	MATERIAL	FINISH
7	SHELL	1	BRASS	SILVER
6	RETAINING RING	1	BRASS	SILVER
5	GASKET	1	S.I. RUBBER	RED
4	GROUND RING	1	BRASS	SILVER
3	DIELECTRIC	1	PTFE	NONE
2	CONTACT	1	BRASS	GOLD
1	BODY	1	BRASS	SILVER

DIMENSIONS ARE IN INCHES AND [MILLIMETERS] UNLESS OTHERWISE NOTED TOLERANCES ARE:

DECIMALS      DIAMETER

DRAWN  
C. ZUNIGA

CHECKED  
C. ZUNIGA

ORU DRAWN  
C. ZUNIGA

APPROVALS

DATE

**RF connectors**  
 DIVISION OF RF INDUSTRIES, LTD.

7610 MIRAMAR RD  
 SAN DIEGO, CA 92126  
 (619)549-6340  
 (619)549-6345 FAX

**RFN-1041-1**

N MALE PANEL MOUNT, 4 HOLE FLANGE

SIZE	CABLE GROUP	DWG NO.	REV
A	N/A	8870	A

SCALE: 2:1      CAD FILE 13ARC B      SHEET 1 OF 1