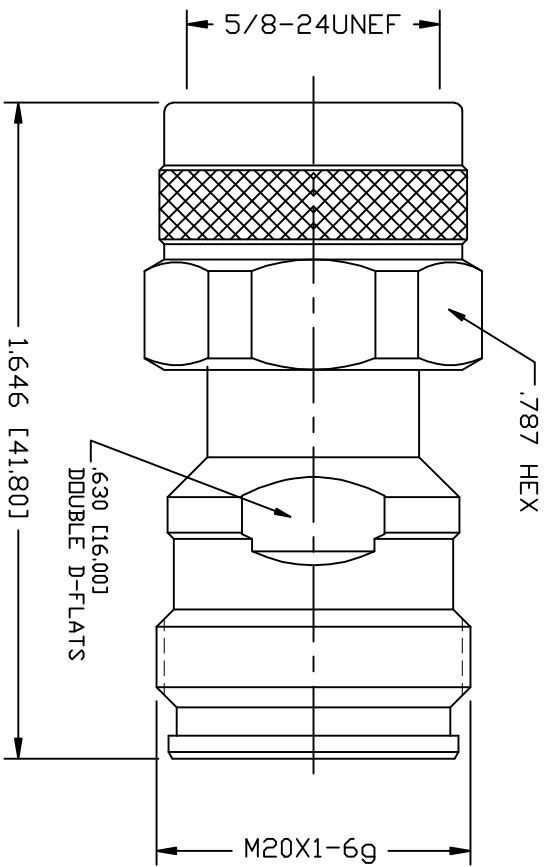


PART NO.		RFD-43F-NM	
REV	DESCRIPTION	DWN	DATE
—	ENGINEERING RELEASE	CZS	05/04/16
			APPROVED
			JDMc



SPECIFICATIONS:

INTERFACE: IEC61169-54
 IMPEDANCE: 50 Ohms
 FREQUENCY RANGE: DC-6 GHz
 VSWR MAX: $\leq 1.15:1 @ 3 \text{ GHz}$
 3rd ORDER IM: $\leq -160 \text{ dBc @ } 1900 \text{ MHz}$
 DIELECTRIC WITHSTANDING VOLTAGE: 2000V/AC
 INSULATION RESISTANCE: 1000M Ω
 OPERATING TEMPERATURE: -40° to +155°
 ROHS COMPLIANT

#	DESCRIPTION	QTY	MATERIAL	FINISH
7	GROUND RING	1	Be.Cu.	WHITE BRONZE
6	GASKET	1	RUBBER	---
5	SHELL	1	BRASS	WHITE BRONZE
4	RETAINING RING	1	Be.Cu.	WHITE BRONZE
3	CONTACT	1	PHOS. BRONZE	SILVER
2	INSULATOR	1	PTFE	---
1	BODY	1	BRASS	WHITE BRONZE

CUSTOMER
 OUTLINE DRAWING
 ALL DIMENSIONS
 ARE REFERENCE ONLY
 UNLESS OTHERWISE SPECIFIED:
 DIMENSIONS ARE IN INCHES
 AND [MILLIMETERS]

DESIGN
 C. ZUNIGA
 CHECKED
 C. ZUNIGA
 05/04/16

PROPRIETARY AND CONFIDENTIAL
 THIS DRAWING CONTAINS
 INFORMATION PROPRIETARY TO
 RF INDUSTRIES. ANY
 UNAUTHORIZED USE OF THIS
 DRAWING IS EXPRESSLY
 PROHIBITED WITHOUT WRITTEN
 PERMISSION FROM RF
 INDUSTRIES. ANY VIOLATION IS
 PUNISHABLE UNDER U.S.
 COPYRIGHT LAWS.

RF Industries
 DIVISION OF RF INDUSTRIES, LTD. (858) 549-6346 FAX
 7610 MIRAMAR RD.
 SAN DIEGO, CA 92126
 (858) 549-6340

**4.3/10 FEMALE TO MALE
 ADAPTER**

SIZE	CABLE GROUP	DWG NO.	REV
A	N/A	RFD-43F-NM	—
SCALE:	ENGINEERING ID:	SHEET	OF
NTS	000000	1	1