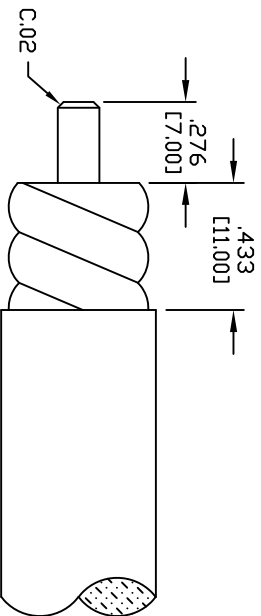
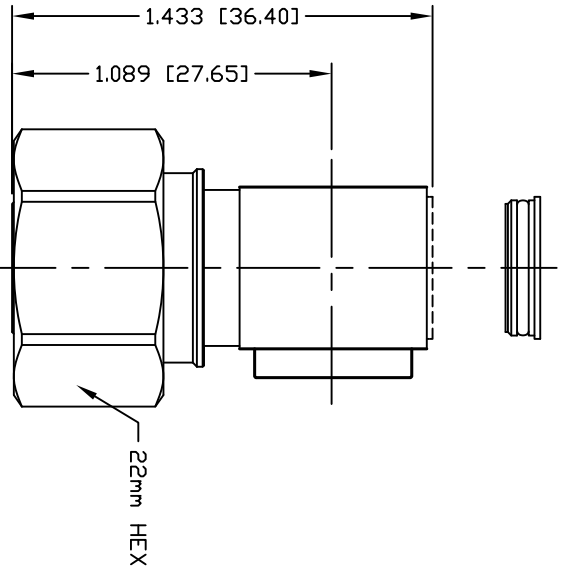


PART NO.		RFD-4195MRA-H4	
REV	DESCRIPTION	DWN	DATE
—	ENGINEERING RELEASE	CZS	10/19/19
			APPROVED
			JDMc



RECOMMENDED STRIPPING DIMENSIONS

SPECIFICATIONS:

INTERFACE: IEC61169-54
 IMPEDANCE: 50 Ohms
 FREQUENCY RANGE: 0-3 GHz
 VSWR: ≤1.25 @ 3GHz
 3rd ORDER IM: ≤-160dBc (RELATIVE TO CARRIER)
 3rd ORDER IM TEST METHOD: 2x43dBm CARRIERS
 DIELECTRIC WITHSTANDING VOLTAGE: 1500 V/AC
 INSULATION RESISTANCE: 5000 MΩ
 TEMPERATURE RANGE: -40°C TO 85°C
 MECHANICAL DURABILITY: 500 CYCLES
 FOR FSJ4-50B, SCF12-50J, SPF & SP0-500 CABLE

#	DESCRIPTION	QTY	MATERIAL	FINISH
8	COUPLING NUT	1	BRASS	WHITE BRONZE
7	O-RING	1	RUBBER	---
6	PRESS CAP	1	BRASS	WHITE BRONZE
5	O-RING	1	RUBBER	---
4	RETAINING RING	1	SST	PASSIVATED
3	PIN	1	BRASS	SILVER
2	INSULATOR	1	PTFE	---
1	BODY	1	BRASS	WHITE BRONZE

CUSTOMER
 OUTLINE DRAWING
 ALL DIMENSIONS
 ARE REFERENCE ONLY
 UNLESS OTHERWISE SPECIFIED:
 DIMENSIONS ARE IN INCHES
 AND [MILLIMETERS]

DRW C: ZUNIGA	10/19/19
CHK C: ZUNIGA	
DRW C: ZUNIGA	10/19/19



PROPRIETARY AND CONFIDENTIAL
 THIS DRAWING CONTAINS
 INFORMATION PROPRIETARY TO
 RF INDUSTRIES. ANY
 UNAUTHORIZED USE OF THIS
 DRAWING IS EXPRESSLY
 PROHIBITED WITHOUT WRITTEN
 PERMISSION FROM RF
 INDUSTRIES. ANY VIOLATION IS
 PUNISHABLE UNDER U.S.
 COPYRIGHT LAWS.



4.1/9.5 MALE R/A

FOR 1/2" SUPERFLEX CORRUGATED CABLE

FORMAT A	SCALE NTS	CONTROL # 000000	SHEET 1 OF 1
CABLE GROUP H4	DWG # RFD-4195MRA-H4	REVISION —	

USE OF CABLE TRIM TOOL IS RECOMMENDED
 USE COMPATIBLE TRIM TOOL SUCH AS TRIM-SET-S12-D01