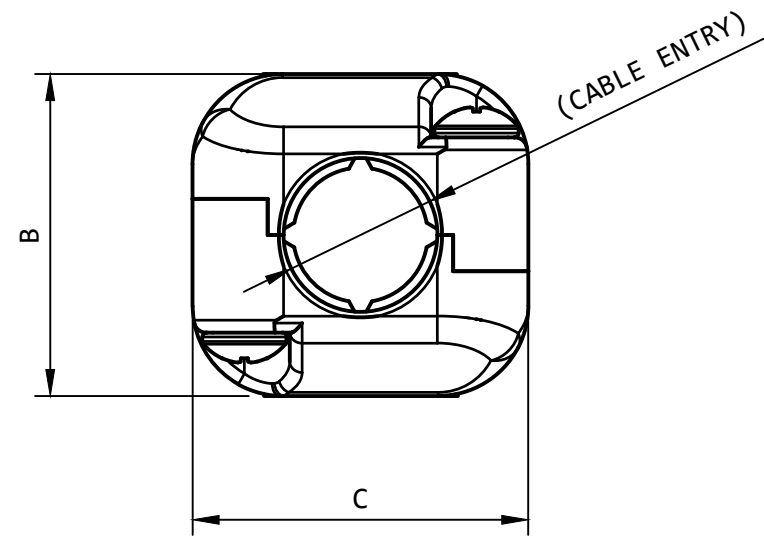


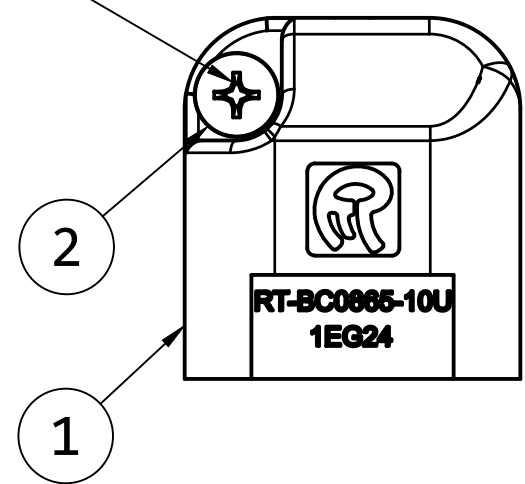
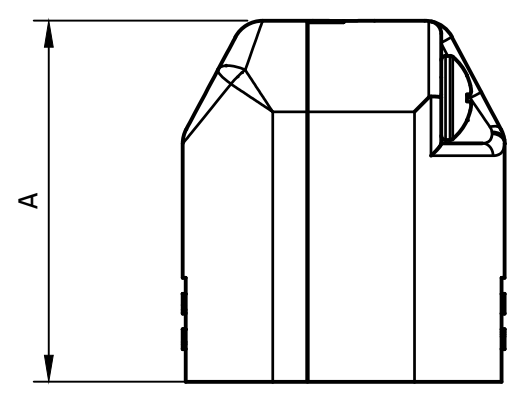
CONFIDENTIAL INFORMATION: THIS DOCUMENT AND CONTAINED INFORMATION ARE THE PROPERTY OF RUSSTECH ENGINEERING COMPANY, INC. THE RECIPIENT, BY RECEIPT AND RETENTION HEREOF, ACKNOWLEDGES THAT THE INFORMATION RECEIVED IS CONFIDENTIAL, DEVELOPED OVER TIME AT SIGNIFICANT EXPENSE, AND THAT DISCLOSURE THEREOF TO THIRD PARTIES WILL CAUSE IRREPAIRABLE HARM TO RUSSTECH. THE RECIPIENT, BY THE RECEIPT AND RETENTION OF SUCH INFORMATION, AGREES TO MAINTAIN SUCH INFORMATION IN CONFIDENCE, TO NOT DISCLOSE IT TO THIRD PARTIES, AND TO RETURN IT, AND ALL COPIES OR DERIVATIVES THEREOF, IN ANY FORM, TO RUSSTECH, UPON REQUEST.

REVISION HISTORY

ZONE	REV	DESCRIPTION	CHECKED BY	DATE	APPROVED BY	DATE
--	NEW	NEW RELEASE	B. COLLINS	5/09/19	P. FLEISCHMANN	5/09/19
F2, F6	A	CORRECTED NOTE #6. UPDATED COMPANY LOGO	R. SERNA	8/08/19	P. FLEISCHMANN	8/08/19



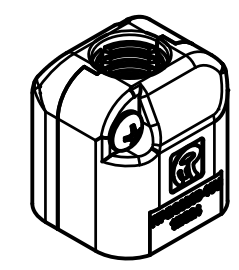
#4-20 STAINLESS STEEL SELF THREADING SCREWS, 2 PLACES



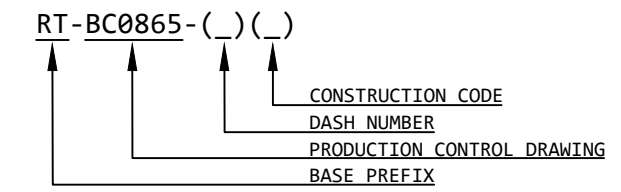
RUSSTECH RT-BC0865-(_)U, MONO MODULAR EN4165 / BACC65 / ARINC 809 BACKSHELL, EMI, COMPOSITE, STRAIGHT EXIT						
Dash No.	Cable Entry (MM) Reference Only	Cable O.D. Size (Inch)	Backshell Weight (lbs.) ±.010 Ref. Only	A ±.03 Inches	B ±.03 Inches	C ±.03 Inches
-10U	10	.15-.40	.015	.94	.84	.87
TBD	TBD	TBD	TBD	.94	.84	.87

TABULATION NOTES:
REFER TO DIMENSION REFERENCES A THROUGH C

U = DENOTES PART IS OF COMPOSITE CONSTRUCTION



RUSSTECH PART NUMBER EXPLANATION



COMPONENTS INCLUDE 2 BACKSHELL HALVES AND 2 SCREWS AND COMPRISE THE RT-BC0865-(_)U BACKSHELL KIT

NOTES UNLESS OTHERWISE SPECIFIED

- DIMENSIONS APPLY AFTER FINISH
- MATERIALS:
BACKSHELL: ULTEM-2310
HARDWARE: STAINLESS STEEL
- FINISH:
BACKSHELL: ELECTROLESS NICKEL PLATE
- INDIVIDUALLY PACKAGE TO PREVENT DAMAGE
- ASSEMBLY HARDWARE INCLUDED
- SIZE# 1 PHILLIPS DRIVER BIT RECOMMENDED

Item	Qty	Part Number	Description	Material
2	2	RTLS-A28-12	Screw, Trilobular, Thread Cutting, 1/2 length	Stainless Steel
1	2	RT-BC0865-(_)(_) HALF	Composite EMI Back Shell Half, Straight Exit	Ultem - 2310

Parts List

TECHNICAL REFERENCE RT-BC0865-10U Backshell_Type 5 v6_Salesdrawing.dwg_v6.step				RUSSTECH ENGINEERING COMPANY, INCORPORATED 16 TECHNOLOGY DRIVE, SUITE 111 IRVINE, CA 92618, USA	
UNLESS OTHERWISE SPECIFIED DIMENSIONS ARE IN DECIMAL INCHES WITH METRIC IN BRACKETS TOLERANCES ARE: .X ± .1 .XX ± .03 .XXX ± .010 ANGLES ± .5° REMOVE ALL BURRS & SHARP EDGES	APPROVALS	DATE	TITLE		
	DRAWN BY J. GILMAN	5/09/19	RT-BC0865-10U		
	CHECKED BY B. COLLINS	5/09/19	MONO MODULAR EN4165 / BACC65 / ARINC 809 BACKSHELL EMI, COMPOSITE, STRAIGHT EXIT		
	ENGINEER M. NGANGNANG	5/09/19	SIZE A3	CAGE CODE 1EG24	DRAWING NUMBER RC11070-S
	APPROVED BY P. FLEISCHMANN	5/09/19	SCALE 2:1	AUTODESK-FUSION	DEPARTMENT SALES
					SHEET 1/1