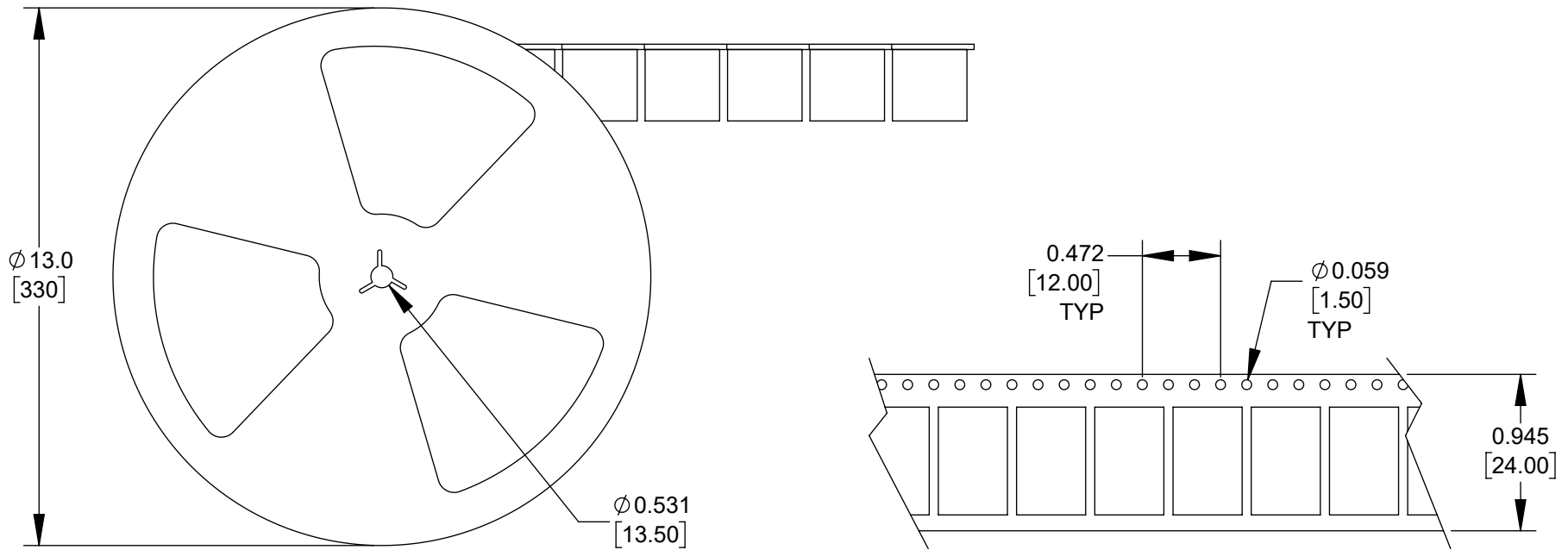


RECOMMENDED P.C.B. LAYOUT (COMPONENT SIDE)
SCALE 8 : 1

- NOTES:
- MATERIALS:
HOUSING - THERMOPLASTIC, BLACK
CONTACTS - COPPER ALLOY, GOLD PLATED
MID PLATE - STAINLESS STEEL
SHELL - STAINLESS STEEL, NICKEL PLATED
 - ELECTRICAL CHARACTERISTICS:
CONTACT RESISTANCE - 40mΩ MAX
INSULATION RESISTANCE - 100MΩ MAX
VOLTAGE AND CURRENT RATING - 5A, 20V DC
DIELECTRIC WITHSTAND VOLTAGE - 100V AC FOR 1 MINUTE
 - CYCLE LIFE - 1,000 CYCLES.
 - THIS PART IS RoHS COMPLIANT.

CUSTOMER DRAWING

UNLESS OTHERWISE SPECIFIED					THIS DRAWING DESCRIBES A DESIGN CONSIDERED PROPRIETARY IN NATURE, DEVELOPED AND MANUFACTURED BY SWITCHCRAFT INC. AND IS RELEASED ON A CONFIDENTIAL BASIS FOR IDENTIFICATION PURPOSES ONLY.				
1. ALL DIMENSIONS IN INCHES [mm]					SIZE	WIDTH	MULT	LBS/M	TEMPER
- TWO PLACE DECIMALS ±0.02 [0.5]					FINISH				MATERIAL
- THREE PLACE DECIMALS ±0.008 [0.20]					SPEC No.				SPEC No.
					FIRST USED ON				SCALE
					DATE DRAWN				8:1
					BY	CHKD	APVD	Switchcraft®	
					8/25/22	MK	MK	SHEET 1 OF 2	
					NAME				PART No.
					RIGHT ANGLE				RAHUC31AUTR
					USB TYPE-C® 3.1, RoHS				REV
									A
REVISIONS					DO NOT SCALE DRAWING				



NOTES:

1. REEL BEGINS AND ENDS WITH APPROXIMATELY 14 EMPTY CAVITIES.
2. EACH REEL TO HOLD 800 PARTS TOTAL.
3. EACH BOX CONTAINS 9 REELS TOTAL FOR 7200 PARTS PER BOX.
4. THIS PART IS RoHS COMPLIANT.

CUSTOMER DRAWING

					THIS DRAWING DESCRIBES A DESIGN CONSIDERED PROPRIETARY IN NATURE, DEVELOPED AND MANUFACTURED BY SWITCHCRAFT INC. AND IS RELEASED ON A CONFIDENTIAL BASIS FOR IDENTIFICATION PURPOSES ONLY.				
					SIZE	WIDTH	MULT	LBS/M	TEMPER
					UNLESS OTHERWISE SPECIFIED			FINISH	
					1. ALL DIMENSIONS IN INCHES [mm]			MATERIAL	
					- TWO PLACE DECIMALS ±0.02 [0.5]			SPEC No.	
					- THREE PLACE DECIMALS ±0.008 [0.20]			SCALE	
					FIRST USED ON			1:4	
					DATE DRAWN	BY	CHKD	APVD	Switchcraft®
					08/30/22	TS	TS	TS	
					NAME			PART No.	
					RIGHT ANGLE			SHEET 2 OF 2	
					USB TYPE-C® 3.1, RoHS			RAHUC31AUTR	
					DO NOT SCALE DRAWING			REV	
								A	

