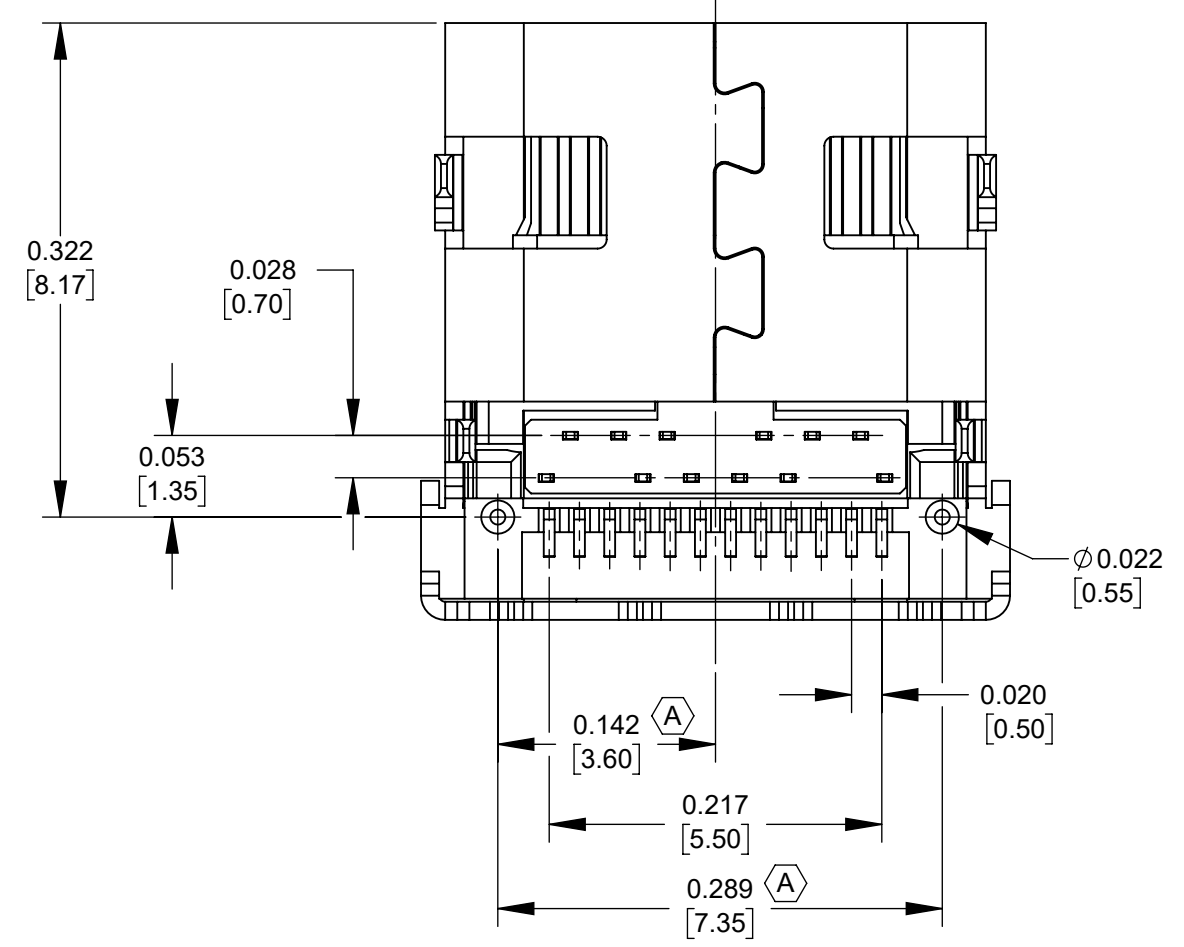


- NOTES:**
- MATERIALS:**
 HOUSING - THERMOPLASTIC, BLACK
 TERMINALS - COPPER ALLOY, GOLD PLATED
 SHELL - STAINLESS STEEL, NICKEL PLATED
 HOOK - STAINLESS STEEL
 - ELECTRICAL CHARACTERISTICS:**
 CONTACT RESISTANCE - 30mΩ MAX
 INSULATION RESISTANCE - 100MΩ MIN
 CURRENT RATING - 3A
 WITHSTANDING VOLTAGE - 250V AC
 - OPERATING TEMPERATURE - -30°C TO +80°C**
 - THIS PART IS RoHS COMPLIANT.**

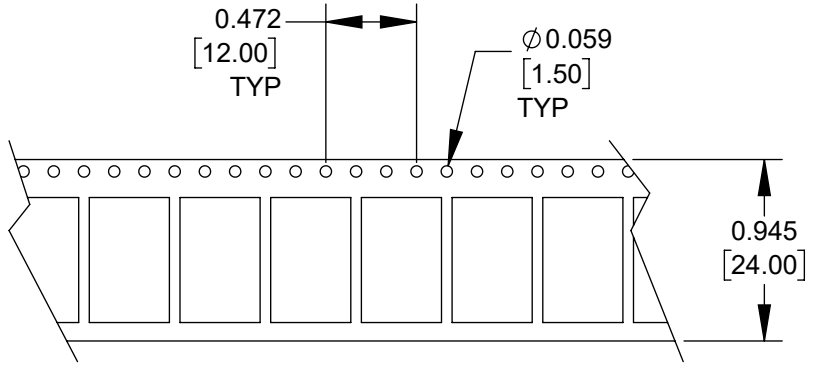
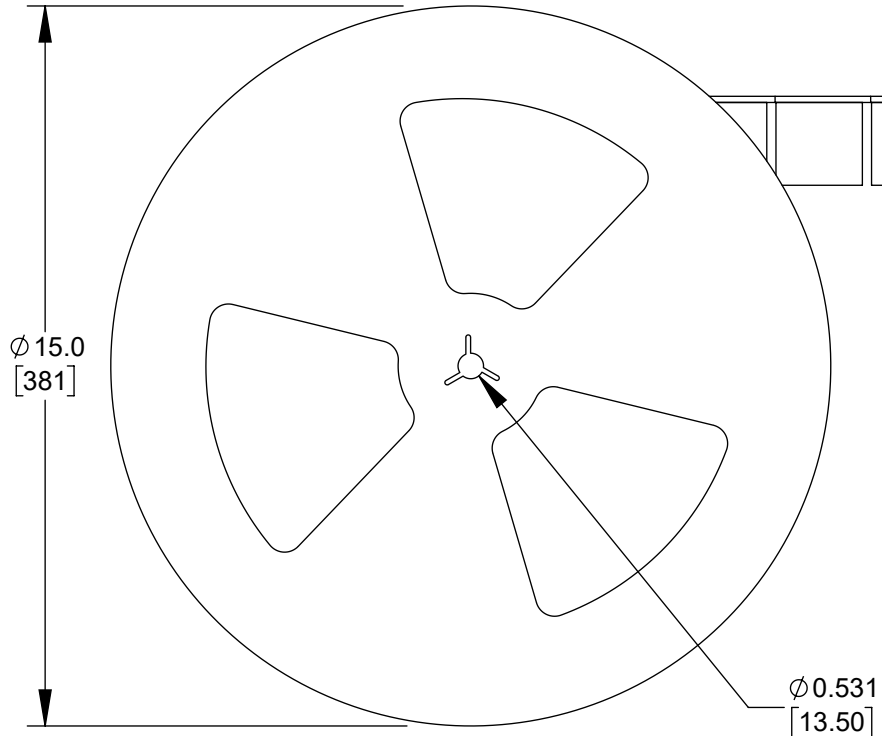


UNLESS OTHERWISE SPECIFIED				THIS DRAWING DESCRIBES A DESIGN CONSIDERED PROPRIETARY IN NATURE, DEVELOPED AND MANUFACTURED BY SWITCHCRAFT INC. AND IS RELEASED ON A CONFIDENTIAL BASIS FOR IDENTIFICATION PURPOSES ONLY.				
1. ALL DIMENSIONS IN INCHES [mm]				SIZE	WIDTH	MULT	LBS/M	TEMPER
- TWO PLACE DECIMALS ±0.02 [0.5]				FINISH		MATERIAL		
- THREE PLACE DECIMALS ±0.005 [0.13]				SPEC No.		SPEC No.		
DO NOT SCALE DRAWING				FIRST USED ON		SCALE		
SolidWorks CAD File				DATE DRAWN		BY		8:1
A 28548 10/26/22 PC TJK				8/29/22		MK		10/26/22
REVISIONS				NAME		RIGHT ANGLE SMT		PART No.
				USB TYPE-C® 3.1, RoHS		RAHPCUC31AUTR		REV
								A

CUSTOMER DRAWING



SHEET 1 OF 2



- NOTES:**
1. REEL BEGINS AND ENDS WITH APPROXIMATELY 10 EMPTY CAVITIES.
 2. EACH REEL TO HOLD 1,000 PARTS TOTAL.
 3. EACH BOX CONTAINS 11 REELS TOTAL FOR 11,000 PARTS PER BOX.
 4. THIS PART IS RoHS COMPLIANT.

CUSTOMER DRAWING

					THIS DRAWING DESCRIBES A DESIGN CONSIDERED PROPRIETARY IN NATURE, DEVELOPED AND MANUFACTURED BY SWITCHCRAFT INC. AND IS RELEASED ON A CONFIDENTIAL BASIS FOR IDENTIFICATION PURPOSES ONLY.					
					SIZE	WIDTH	MULT	LBS/M	TEMPER	
					UNLESS OTHERWISE SPECIFIED			FINISH		
					1. ALL DIMENSIONS IN INCHES [mm]			MATERIAL		
					- TWO PLACE DECIMALS ±0.02 [0.5]			SPEC No.		
					- THREE PLACE DECIMALS ±0.005 [0.13]			SCALE		
					FIRST USED ON			1:4		
					DATE DRAWN	BY	CHKD	APVD	Switchcraft®	
					08/30/22	TS	TS	TS		
A	28548	10/26/22	PC	TJK	SHEET 2 OF 2					
REV	ECO NUMBER	DATE	BY	APVD	NAME RIGHT ANGLE SMT				PART No.	
REVISIONS					DO NOT SCALE DRAWING				RAHPCUC31AUTR	REV
					USB TYPE-C® 3.1, RoHS				A	