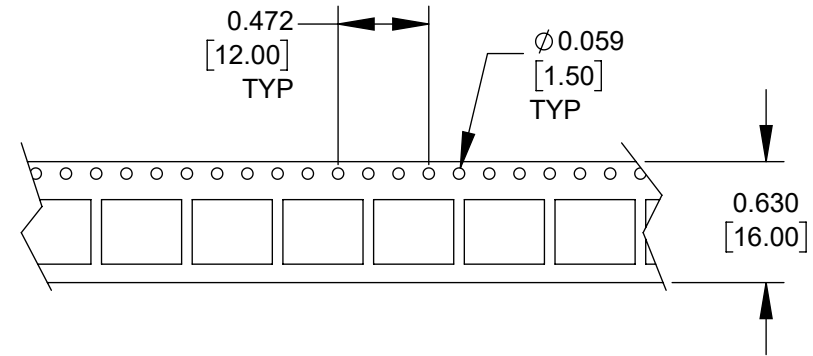
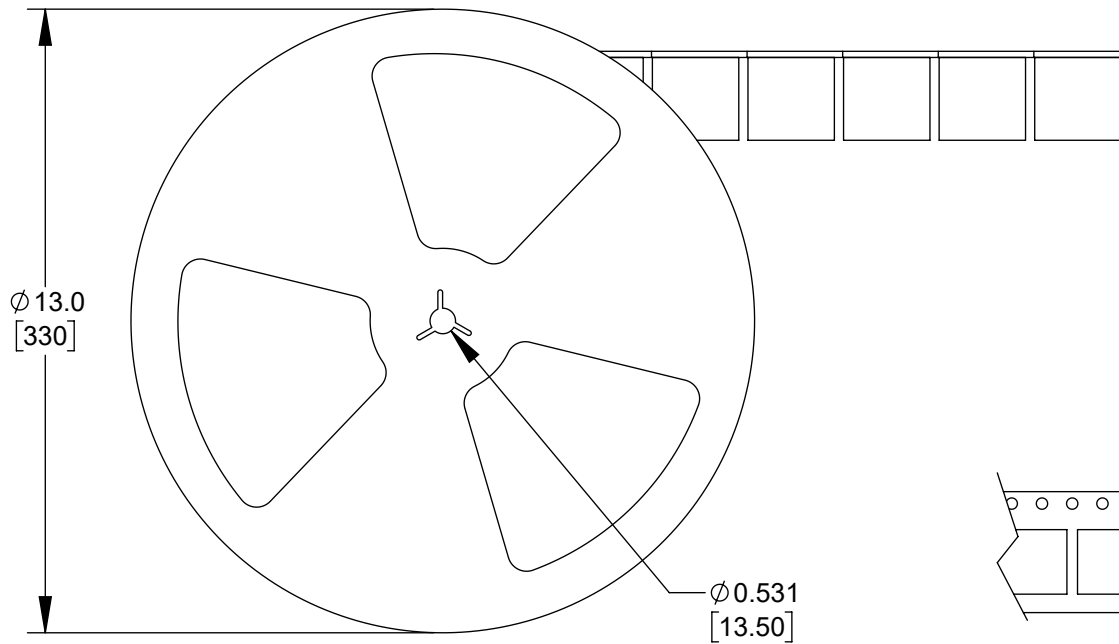


- NOTES:**
- MATERIALS:**  
HOUSING - THERMOPLASTIC, BLACK  
SHELL - STAINLESS STEEL, NICKEL PLATED  
TERMINALS - COPPER ALLOY, GOLD PLATED
  - ELECTRICAL CHARACTERISTICS:**  
CONTACT RESISTANCE - 30m OHM MAX  
INSULATION RESISTANCE - 100M OHM MIN @ 500V DC  
CURRENT RATING - 1.0A MAX  
DIELECTRIC WITHSTAND VOLTAGE - 100V AC FOR 1 MINUTE
  - OPERATING TEMPERATURE:** -25°C TO +105°C
  - THIS PART IS RoHS COMPLIANT.**

**CUSTOMER DRAWING**

					THIS DRAWING DESCRIBES A DESIGN CONSIDERED PROPRIETARY IN NATURE, DEVELOPED AND MANUFACTURED BY SWITCHCRAFT INC. AND IS RELEASED ON A CONFIDENTIAL BASIS FOR IDENTIFICATION PURPOSES ONLY.				
					SIZE	WIDTH	MULT	LBS/M	TEMPER
					FINISH			MATERIAL	
					SPEC No.			SPEC No.	
					FIRST USED ON			SCALE	
					DATE DRAWN			8:1	
					08/26/22	TS	10/19/22	TS	10/19/22
					NAME			PART No.	
					RIGHT ANGLE SMT MICRO			RAHMB20AUETR	
					USB TYPE-B 2.0, RoHS			REV	
								A	
REVISIONS					DO NOT SCALE DRAWING				
A	28548	10/26/22	PC	TJK					





**NOTES:**

1. REEL BEGINS AND ENDS WITH APPROXIMATELY 15 EMPTY CAVITIES.
2. EACH REEL TO HOLD 1,000 PARTS TOTAL.
3. EACH BOX CONTAINS 10 REELS TOTAL FOR 10,000 PARTS PER BOX.
4. THIS PART IS RoHS COMPLIANT.

**CUSTOMER DRAWING**

					THIS DRAWING DESCRIBES A DESIGN CONSIDERED PROPRIETARY IN NATURE, DEVELOPED AND MANUFACTURED BY SWITCHCRAFT INC. AND IS RELEASED ON A CONFIDENTIAL BASIS FOR IDENTIFICATION PURPOSES ONLY.					
					SIZE	WIDTH	MULT	LBS/M	TEMPER	
					UNLESS OTHERWISE SPECIFIED			FINISH		
					1. ALL DIMENSIONS IN INCHES [mm]			MATERIAL		
					- TWO PLACE DECIMALS $\pm 0.02$ [0.5]			SPEC No.		
					- THREE PLACE DECIMALS $\pm 0.008$ [0.20]			SCALE		
					FIRST USED ON			1:4		
					DATE DRAWN	BY	CHKD	APVD	<b>Switchcraft</b> <sup>®</sup>	
					08/30/22	TS	TS	TS		
A	28548	10/26/22	PC	TJK	SHEET 2 OF 2					
REV	ECO NUMBER	DATE	BY	APVD	NAME RIGHT ANGLE SMT MICRO USB TYPE-B 2.0, RoHS				PART No. RAHMB20AUETR	REV A
REVISIONS					DO NOT SCALE DRAWING					

