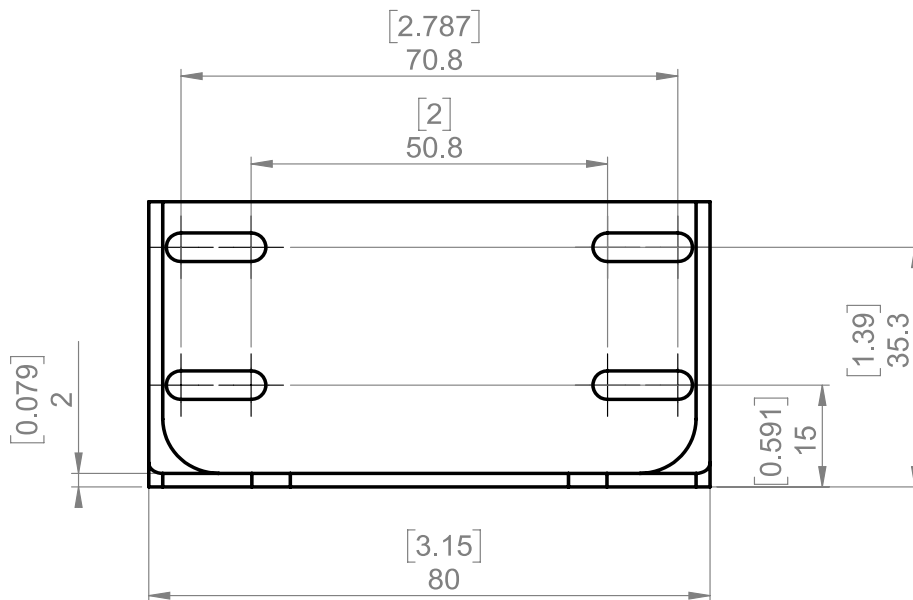
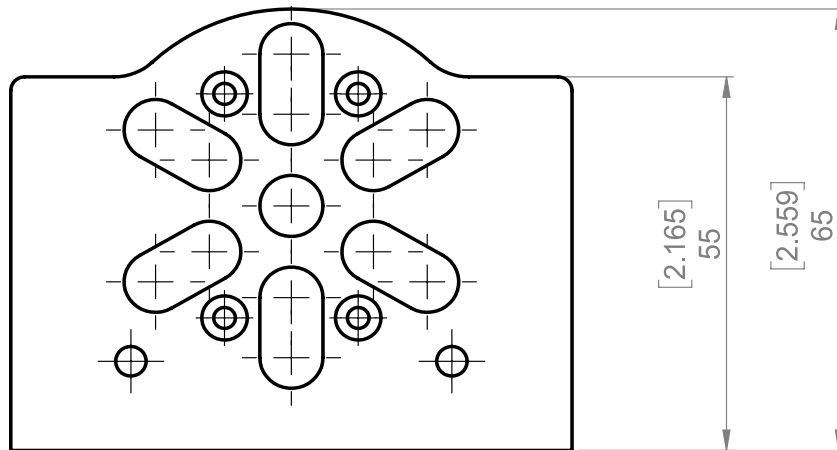


For all R573 & R574 models, SP3 to 6T, connectors SMA, QMA, SMA 2.9, 2.4 mm



Material: Aluminum with Surtec 650 plating

General tolerance : $\pm 0.5\text{mm}$ [0.02 in]

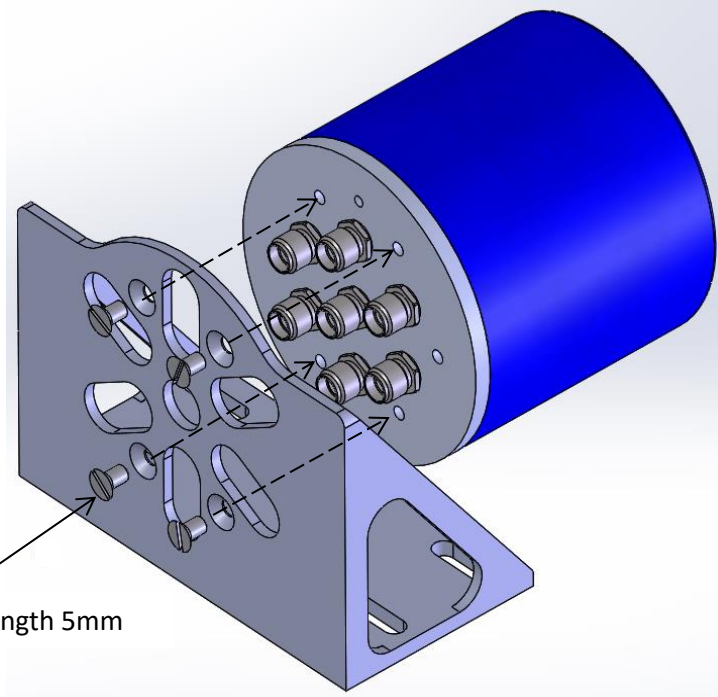
Weight < 70g

MOUNTING PROCESS WITH ROUND BASE PLATE

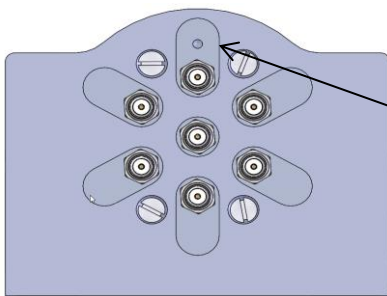
1) Assemble the flange on the RF body of the switch as the following drawing below.

NOTE : you can choose the position of the port 1 with the reference mark

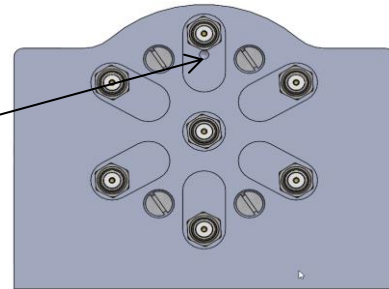
2) Screw the four screws (delivered with the flange)



4 screws dia M3 / length 5mm



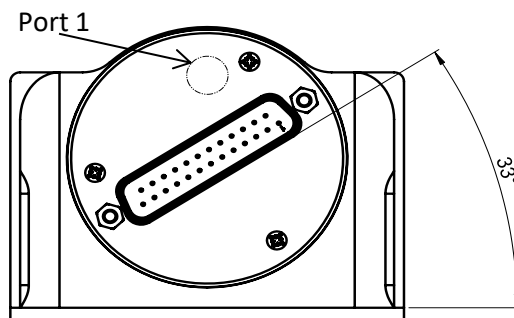
R573 products



R574 products

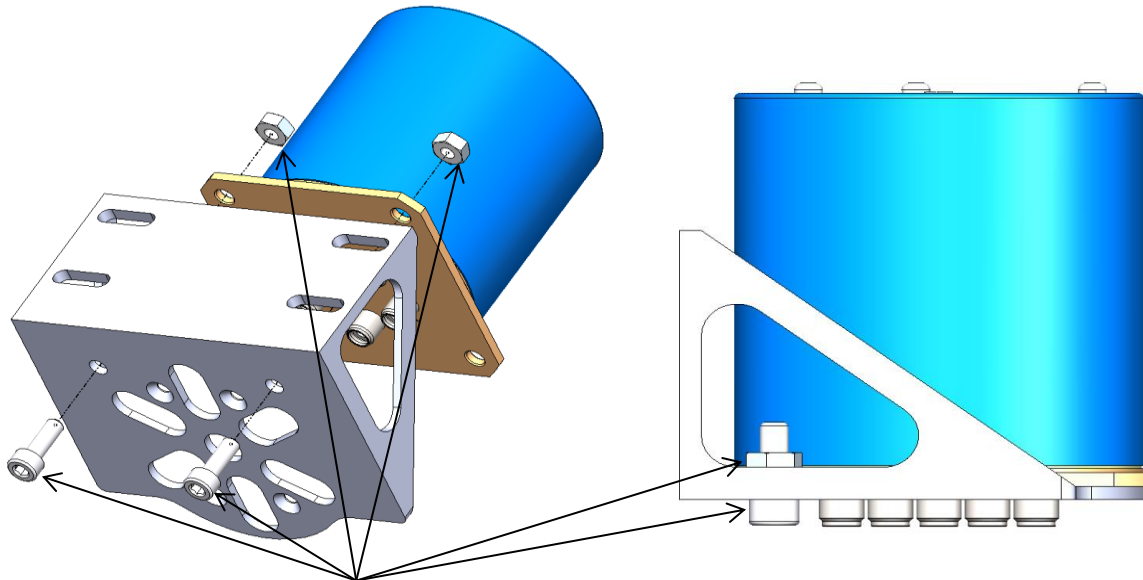
reference mark
of port 1

D-SUB CONNECTOR LOCATION



MOUNTING PROCESS WITH SQUARE BASE PLATE

- 1) Assemble the flange on the RF body of the switch as the following drawing below.
- 2) Screw the two bolts (delivered with the flange)



2 bolts dia M4

