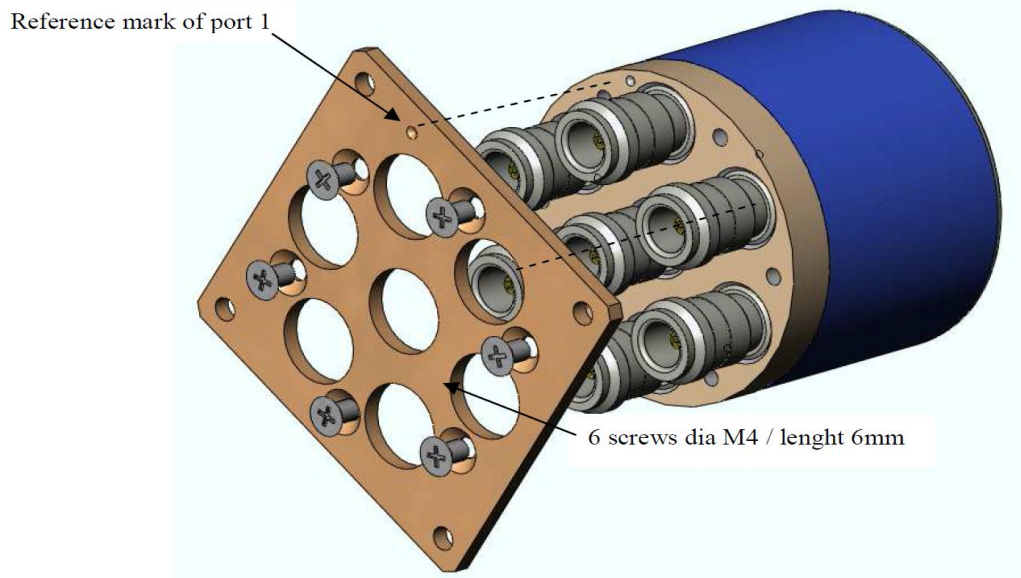


For R573 series, 3 to 6 positions with connectors N, BNC, TNC

**MOUNTING PROCESS**

- 1) Assemble the Square flange on the RF body of the switch as the following drawing below.  
**CAUTION:** don't forget to position correctly the reference mark of port 1
- 2) Screw the six screws (delivered with the square flange)



**CAUTION:** Mounting Bracket may reduce the shocks and vibrations levels guaranteed for the standard product