

PAGE 1/2

ISSUE 09-03-21

SERIE : SPDT ZC

PART NUMBER : R585312400

RF CHARACTERISTICS

Frequency range : **0 - 3 GHz**
 Impedance : **50 Ohms**

| | |
|--------------------|----------------|
| Frequency (GHz) | DC - 3 |
| VSWR max | 1.20 |
| Insertion loss max | 0.20 dB |
| Isolation min | 80 dB |
| Average power (*) | 240 W |

ELECTRICAL CHARACTERISTICS

Actuator : **FAILSAFE**
 Nominal current ** : **500 mA**
 Actuator voltage (Vcc) : **12V (10.2 to 13V)**
 Terminals : **solder pins (250°C max. / 30 sec.)**

MECHANICAL CHARACTERISTICS

Connectors : **SMA female per MIL-C 39012**
 Life : **10 million cycles**
 Switching Time*** : **< 10 ms**
 Construction : **Splashproof**
 Weight : **< 100 g**

ENVIRONMENTAL CHARACTERISTICS

Operating temperature range : **-40°C to +85°C**
 Storage temperature range : **-55°C to +85°C**

(* Average power at 25°C per RF Path)

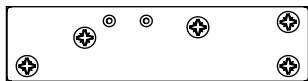
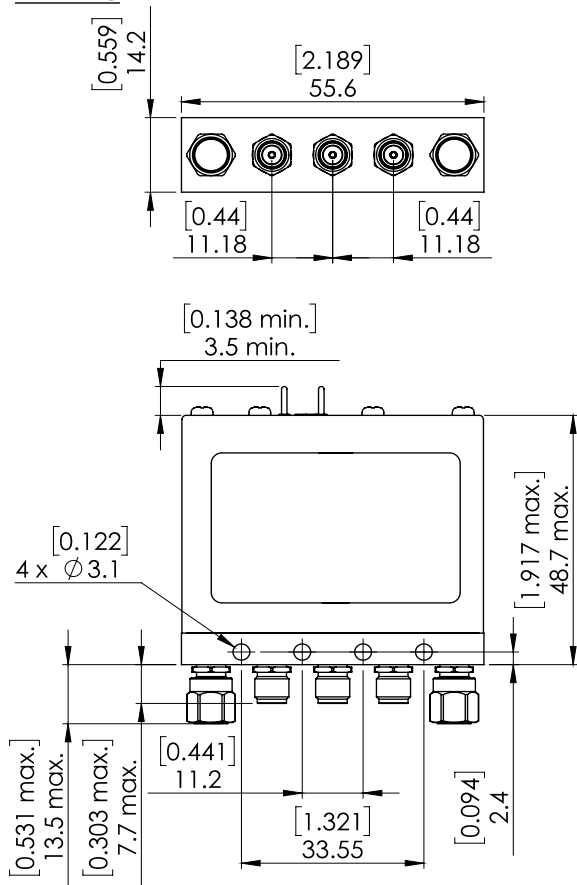
(** At 25° C ±10%)

(*** Nominal voltage ; 25° C)



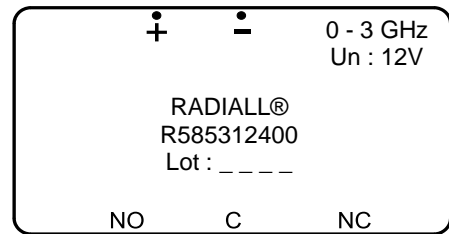
| | | | |
|----------|----------------|-----------------|--------------------------|
| PAGE 2/2 | ISSUE 09-03-21 | SERIE : SPDT ZC | PART NUMBER : R585312400 |
|----------|----------------|-----------------|--------------------------|

DRAWING



General tolerances : ±0,5 mm [0,02 in]

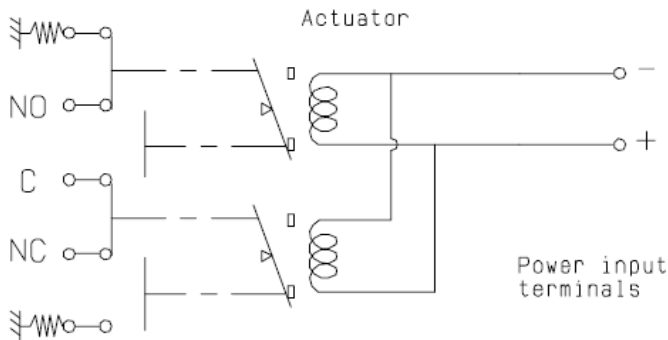
LABEL



SCHEMATIC DIAGRAM

RF input

50Ω Termination



50Ω Termination

Position : de-energized

| Position | RF Continuity |
|--------------|---------------|
| De-energized | C↔NC / NO↔50Ω |
| energized | C↔NO / NC↔50Ω |