

PAGE 1/2

ISSUE 25-11-22

SERIE : SPnT

PART NUMBER : R574F53405

## RF CHARACTERISTICS

Number of ways : 4  
Frequency range : 0 - 26.5 GHz  
Impedance : 50 Ohms

Frequency (GHz)	DC - 3	3 - 8	8 - 12.4	12.4 - 18	18-26.5
VSWR max	1,20	1,30	1,40	1,50	1,70
Insertion loss max	0.20 dB	0.30 dB	0.40 dB	0.50 dB	0.70 dB
Isolation min	80 dB	70 dB	60 dB	60 dB	50 dB
Average power (*)	240 W	150 W	120 W	100 W	40 W

TERMINATION IMPEDANCE : 50 Ohms  
TERM. AVG. POWER AT 25° C : 1 W per termination / 3 W total power

## ELECTRICAL CHARACTERISTICS

Actuator : LATCHING  
Nominal current \*\* : 125 mA / RESET : 500 mA \*\*\*\*  
Actuator voltage (Vcc) : 28V (24 to 30V) / NEGATIVE COMMON  
Terminals : 25 pins D-SUB male connector  
Indicator rating : 1 W / 30 V / 100 mA  
Self cut-off time : 40 ms < CT < 120 ms

## MECHANICAL CHARACTERISTICS

Connectors : SMA female per MIL-C 39012  
Life : 3 million cycles per position  
Switching Time\*\*\* : < 15 ms  
Construction : Splashproof  
Weight : < 250 g

## ENVIRONMENTAL CHARACTERISTICS

Operating temperature range : -40°C to +85°C  
Storage temperature range : -55°C to +85°C

(\* Average power at 25°C per RF Path)

(\*\* At 25° C ±10%)

(\*\*\* Nominal voltage ; 25° C)

(\*\*\*\* Reset : supply voltage time 1sec. max. / duty cycle 10%)



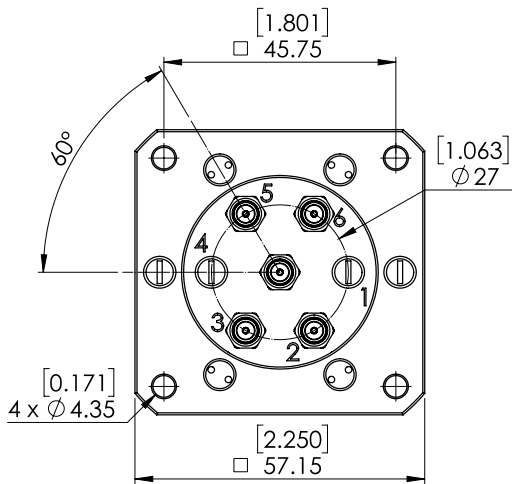
PAGE 2/2

ISSUE 25-11-22

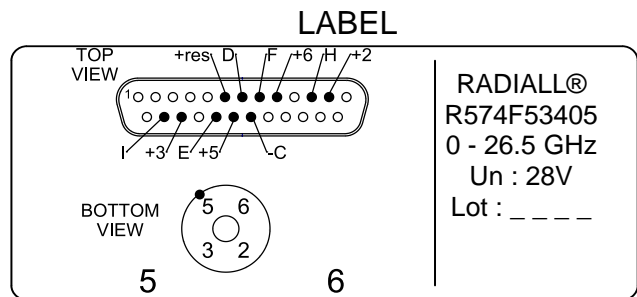
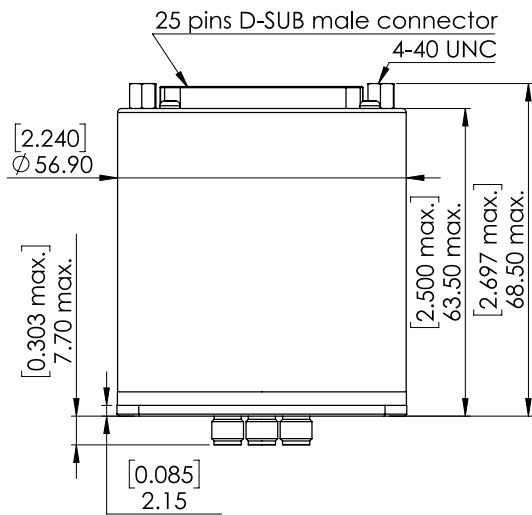
SERIE : SPnT

PART NUMBER : R574F53405

**DRAWING**



Voltage	RF Continuity	Ind.
-C +RESET	All ports open	- -
-C +2	IN ↔ 2	D.H
-C +3	IN ↔ 3	D.I
-C +5	IN ↔ 5	D.E
-C +6	IN ↔ 6	D.F



**RADIALL®**  
R574F53405  
0 - 26.5 GHz  
Un : 28V  
Lot : \_ \_ \_ \_



General tolerances : ±0,5 mm [0,02 in]

**SCHEMATIC DIAGRAM**

