

PAGE 1/2

ISSUE 22-03-22

SERIE : SPnT

PART NUMBER : R573803625

## RF CHARACTERISTICS

Number of ways : **6**  
 Frequency range : **0 - 40 GHz**  
 Impedance : **50 Ohms**

| Frequency (GHz)    | DC - 6         | 6 - 12.4       | 12.4 - 18      | 18 - 26.5      | 26.5 - 40      |
|--------------------|----------------|----------------|----------------|----------------|----------------|
| VSWR max           | <b>1.30</b>    | <b>1.40</b>    | <b>1.50</b>    | <b>1.70</b>    | <b>2.20</b>    |
| Insertion loss max | <b>0.20 dB</b> | <b>0.40 dB</b> | <b>0.50 dB</b> | <b>0.70 dB</b> | <b>1.10 dB</b> |
| Isolation min      | <b>70 dB</b>   | <b>60 dB</b>   | <b>60 dB</b>   | <b>55 dB</b>   | <b>50 dB</b>   |
| Average power (*)  | <b>40 W</b>    | <b>30 W</b>    | <b>25 W</b>    | <b>15 W</b>    | <b>5 W</b>     |

## ELECTRICAL CHARACTERISTICS

Actuator : **NORMALLY OPEN**  
 Nominal current \*\* : **102 mA**  
 Actuator voltage (Vcc) : **28V (24 to 30V)**  
 Terminals : **25 pins D-SUB male connector**  
 TTL inputs (E) - High level : **2.2 to 5.5 V / 800µA at 5.5 V**  
 - Low level : **0 to 0.8 V / 20µA at 0.8 V**

## MECHANICAL CHARACTERISTICS

Connectors : **SMA 2.9 female per MIL-C 39012**  
 Life : **2 million cycles per position**  
 Switching Time\*\*\* : **< 15 ms**  
 Construction : **Splashproof**  
 Weight : **< 220 g**

## ENVIRONMENTAL CHARACTERISTICS

Operating temperature range : **-40°C to +85°C**  
 Storage temperature range : **-55°C to +85°C**

(\* Average power at 25°C per RF Path)

(\*\* At 25° C ±10%)

(\*\*\* Nominal voltage ; 25° C)



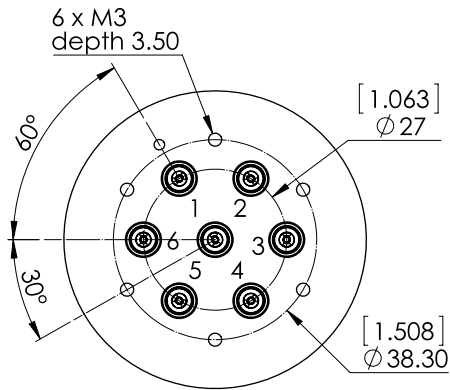
PAGE 2/2

ISSUE 22-03-22

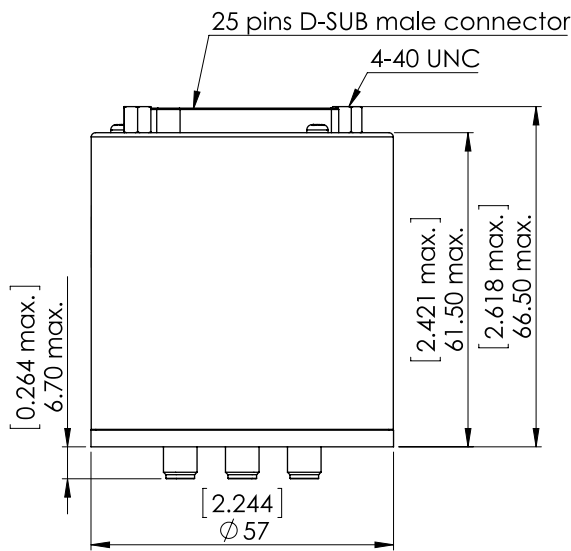
SERIE : SPnT

PART NUMBER : R573803625

DRAWING

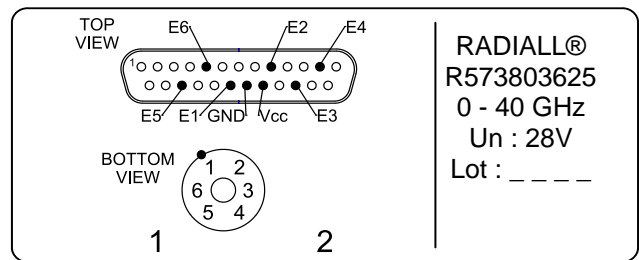


| TTL input | RF Continuity |
|-----------|---------------|
| E1 = 1    | IN ↔ 1        |
| E2 = 1    | IN ↔ 2        |
| E3 = 1    | IN ↔ 3        |
| E4 = 1    | IN ↔ 4        |
| E5 = 1    | IN ↔ 5        |
| E6 = 1    | IN ↔ 6        |



General tolerances : ±0,5 mm [0,02 in]

**LABEL**



SCHEMATIC DIAGRAM

