

PAGE 1/2

ISSUE 15.05.15

SERIE : SPnT

PART NUMBER : R573413600LP

## RF CHARACTERISTICS

Number of ways : **6**  
 Frequency range : **0 - 18 GHz**  
 Impedance : **50 Ohms**

| Frequency (GHz)    | DC - 3         | 3 - 8          | 8 - 12.4       | 12.4 - 18      |
|--------------------|----------------|----------------|----------------|----------------|
| VSWR max           | <b>1.20</b>    | <b>1.30</b>    | <b>1.40</b>    | <b>1.50</b>    |
| Insertion loss max | <b>0.20 dB</b> | <b>0.30 dB</b> | <b>0.40 dB</b> | <b>0.50 dB</b> |
| Isolation min      | <b>80 dB</b>   | <b>70 dB</b>   | <b>60 dB</b>   | <b>60 dB</b>   |
| Average power (*)  | <b>240 W</b>   | <b>150 W</b>   | <b>120 W</b>   | <b>100 W</b>   |

| Passive intermodulation   |                                |
|---------------------------|--------------------------------|
| Tone 1                    | 1810 MHz, approximately 43 dBm |
| Tone 2                    | 1850 MHz, approximately 43 dBm |
| 3 <sup>rd</sup> order PIM | - 160 dBc at 1770 MHz          |

Depending on application, carrier powers and frequencies, PIM measurements can vary.  
 PIM testing is not measured during product acceptance test.

## ELECTRICAL CHARACTERISTICS

Actuator : **NORMALLY OPEN**  
 Nominal current \*\* : **102 mA**  
 Actuator voltage (Vcc) : **28V (24 to 30V) / NEGATIVE COMMON**  
 Terminals : **solder pins (250°C max. / 30 sec.)**  
 Indicator rating : **1 W / 30 V / 100 mA**

## MECHANICAL CHARACTERISTICS

Connectors\*\*\*\*\* : **SMA female per MIL-C 39012**  
 Life : **2.000.000 cycles per position**  
 Switching Time\*\*\* : **< 15 ms**  
 Construction : **Splashproof**  
 Weight : **< 180 g**

## ENVIRONMENTAL CHARACTERISTICS

Operating temperature range : **-25°C to +70°C**  
 Storage temperature range : **-55°C to +85°C**

- (\* Average power at 25°C per RF Path)
- (\*\* At 25° C ±10%)
- (\*\*\* Nominal voltage ; 25° C)
- (\*\*\*\* Recommended mating torque: 80-120 N.cm)



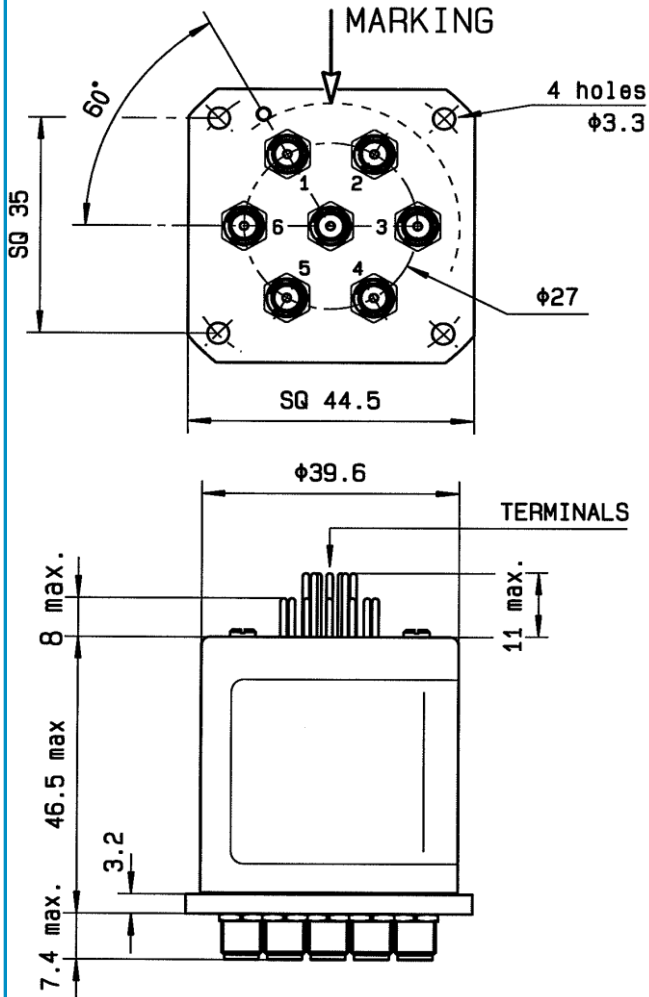
PAGE 2/2

ISSUE 15.05.15

SERIE : SPnT

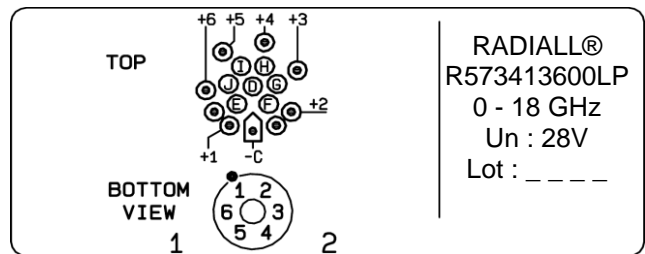
PART NUMBER : R573413600LP

DRAWING



| Voltage | RF Continuity | Ind. |
|---------|---------------|------|
| -C +1   | IN ↔ 1        | D.E  |
| -C +2   | IN ↔ 2        | D.F  |
| -C +3   | IN ↔ 3        | D.G  |
| -C +4   | IN ↔ 4        | D.H  |
| -C +5   | IN ↔ 5        | D.I  |
| -C +6   | IN ↔ 6        | D.J  |

**LABEL**



General tolerances :  $\pm 0.5$  mm

SCHEMATIC DIAGRAM

