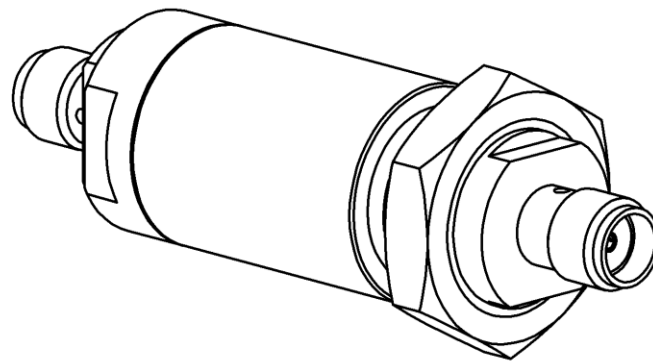
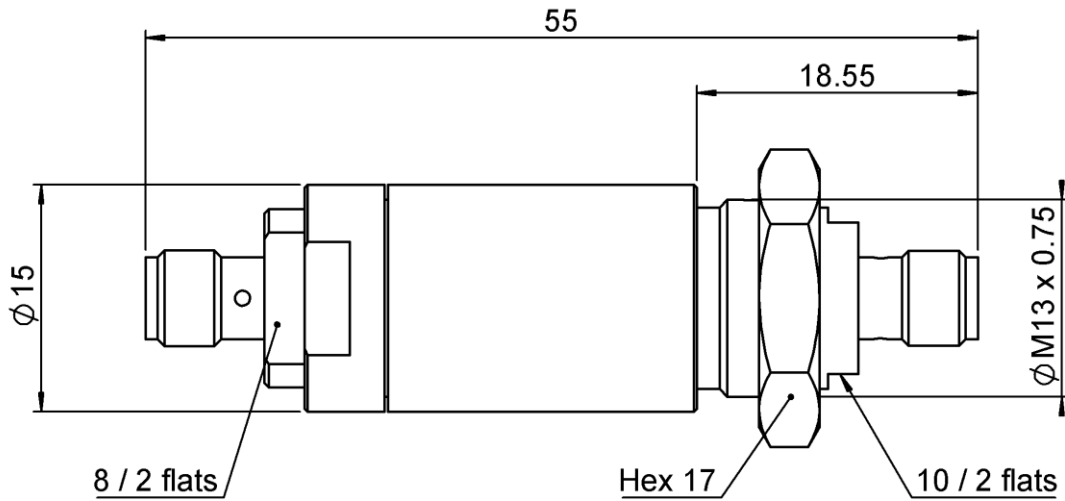
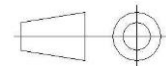


PAGE 1/2	ISSUE 05-01-17B	SERIES ROTARY JOINT	PART NUMBER R447120000
----------	------------------------	-------------------------------	-------------------------------



All dimensions are in mm.



Weight Specification **46,5800** g

PAGE 2/2	ISSUE 05-01-17B	SERIES ROTARY JOINT	PART NUMBER R447120000
----------	------------------------	-------------------------------	-------------------------------

RF CHARACTERISTICS

FREQUENCY RANGE		: 0 – 18 GHz
IMPEDANCE		: 50 Ohms
V.S.W.R	0 – 12.4 GHz	: <= 1.30
V.S.W.R	12.4 – 18 GHz	: <= 1.50
WOW ON V.S.W.R		: <= 1.02
INSERTION LOSS	0 – 12.4 GHz	: <= 0.30 dB
INSERTION LOSS	12.4 – 18 GHz	: <= 0.60 dB
AVERAGE POWER		: 50 W CW
PEAK POWER at 25°C		: 1 kW (1μS 1%)

MECHANICAL CHARACTERISTICS

CONNECTORS		: SMA Female per MIL C39012
MAXIMUM ROTATION SPEED		: 300 rpm
LIFE		: 2 10 ⁶ rotations
MAXIMUM ROTATION TORQUE		: 3 cm.N

ENVIRONMENTAL CHARACTERISTICS

OPERATING TEMPERATURE RANGE (°C)		: -40 / +85
VIBRATION	MIL STD 202	: 10 – 55 Hz / 10 g
SHOCK	MIL STD 202	: 50 g / 11 mS / half-sine